



[Manuals.plus](#) /

> [carple](#) /

> Wireless Car Charger Mount Instruction Manual

carple CARPLETM1

Wireless Car Charger Mount Instruction Manual

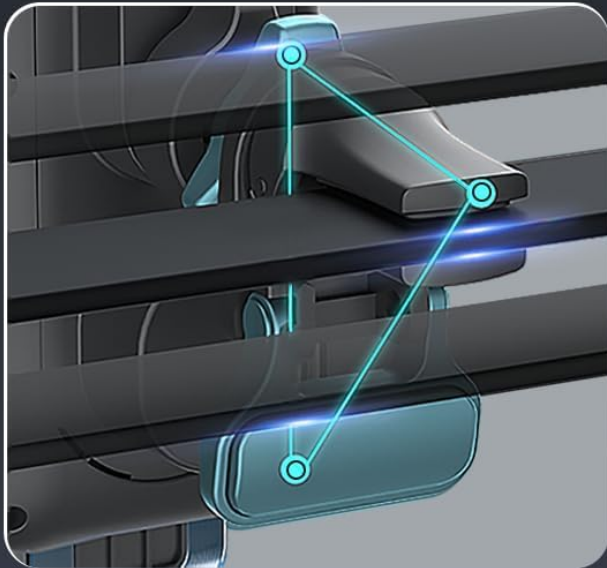
Brand: carple | Model: CARPLETM1

1. INTRODUCTION

Thank you for choosing the CARPLE Wireless Car Charger Mount. This device is designed to provide a convenient and efficient charging solution for your smartphone while driving. Featuring a premium aircraft-grade aluminum body, 15W fast wireless charging, auto-alignment technology, and customizable LED lighting, this mount ensures a secure hold and optimal charging performance. Please read this manual thoroughly before use to ensure proper installation and operation.

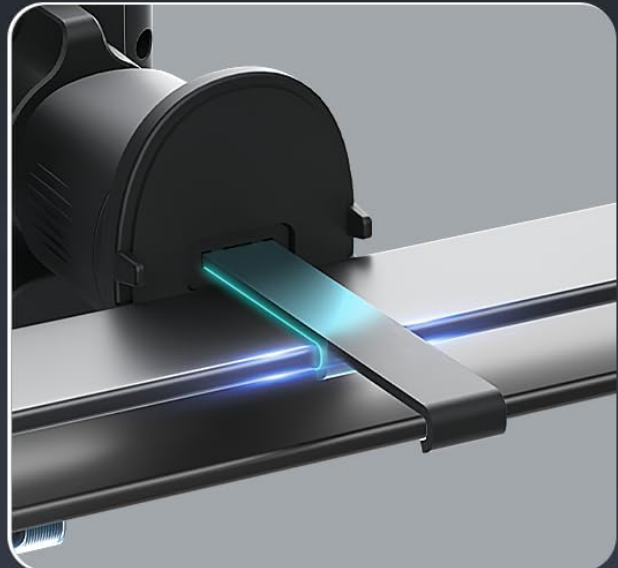
2. WHAT'S IN THE BOX

Versatile Mounting



Clamp-Type

Triple-Point Stability



Hook-Type

Anti-Overtight Protection

Image: All components included in the CARPLE Wireless Car Charger Mount package.

- Wireless Car Charger Mount
- Clamp-Type Air Vent Bracket
- Hook-Type Air Vent Bracket
- 18W Car Charger Adapter
- A to C Cable
- Cable Clips (3 pieces)

3. FEATURES

3.1 Premium Aircraft-Grade Aluminum Body

Crafted from high-quality aluminum, this charger mount offers exceptional durability and a sleek, modern aesthetic that complements your car's interior.

Premium Wireless Charger The Mount

10-Colored LED, Aircraft-Grade Aluminum:
Elevate your drive with style and substance.



Image: The premium aluminum construction of the charger mount.

3.2 True 15W Fast Charging with NPO Chip

Experience up to 38% faster charging with the integrated NPO chip and Quick Charge (QC) 3.0 technology. This ensures safe, rapid power delivery to your device.



Image: Visual representation of the 15W fast charging and NPO chip for enhanced efficiency.

3.3 Auto-Alignment Technology

Simply place your phone on the mount, and it automatically aligns the charging coil for maximum charging efficiency, regardless of your phone's size or model.

15W



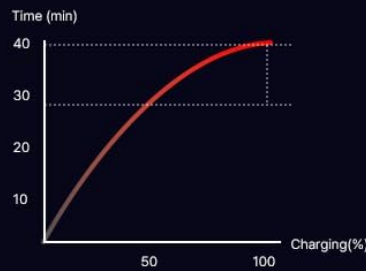
Enhanced Efficiency



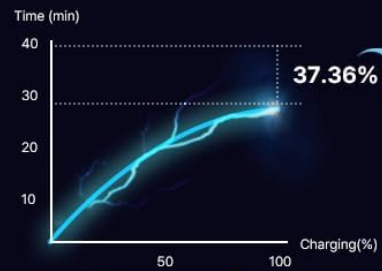
Cooler Charging

NPO Capacitor Advantage

Faster Charging with Less Heat
—Proven Performance.



NO NPO



NPO

Image: A phone being automatically aligned for wireless charging in the mount.

3.4 Customizable 10-Color LED Light

Personalize your driving experience with 10 ambient lighting options. Press and hold the side button for 3 seconds to cycle through colors.

10 Color LED

Match your style and Customize your Driving experience with our wide range of Ambient Lighting options.

Never stumble for your charger in the dark again.



**Customizable LED colors
at your fingertips**

Image: The front of the charger mount displaying its customizable LED lights.

3.5 Smart Release Functionality

Enjoy hands-free convenience with automatic mount release when your drive ends. The mount supports 4 to 6 manual open/close operations even without power, thanks to its backup battery.

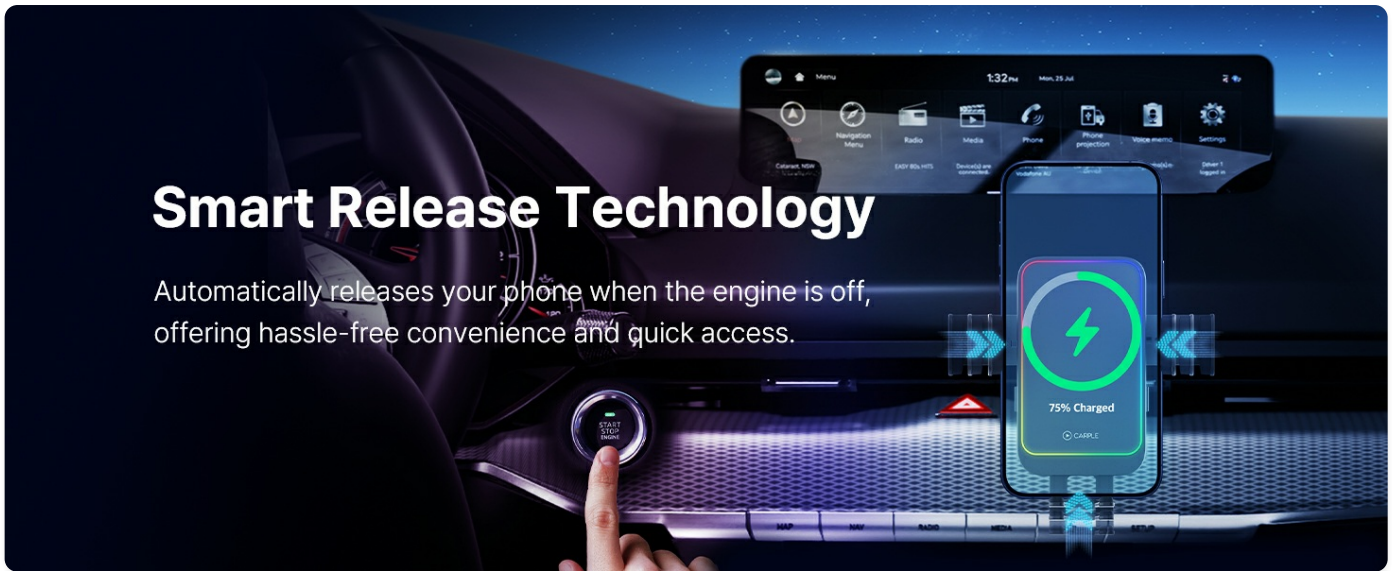


Image: The smart release feature automatically releasing the phone.

3.6 Universal Dual-Coil Compatibility

The dual-coil design accommodates a wide range of smartphones, including the Samsung Z Flip, fitting devices from 4.7 to 6.8 inches.

3.7 Multiple Mounting Options

Easily installed with either the clamp or hook mounts—no tools required. Includes 3 clips to keep your cables neatly secured.

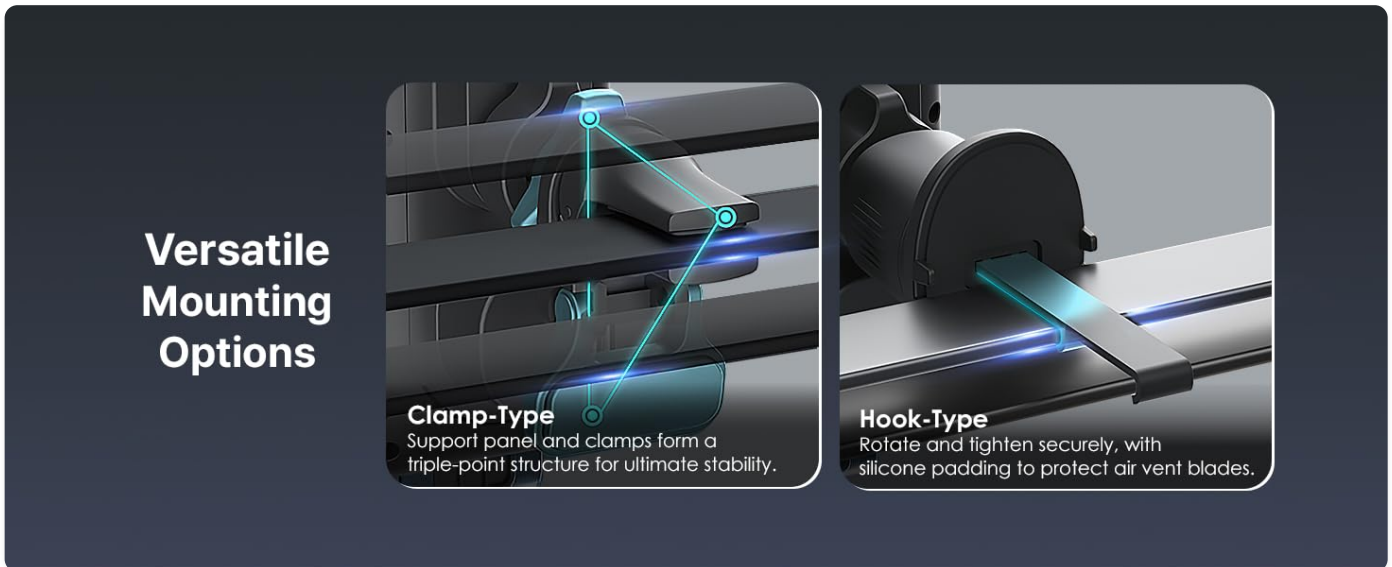


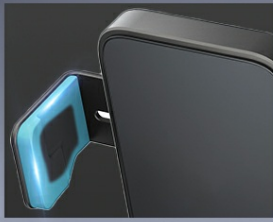
Image: Illustration of the versatile clamp-type and hook-type mounting options.

3.8 Secure, Slip-Free Hold

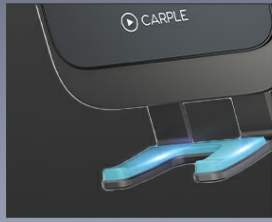
Silicone arms grip your phone firmly, keeping it secure even on the bumpiest roads.

Firm Grip, No Slip

With silicone pads on every clamp holding your phone securely, no more worry about phone slips.



Side Clamp



Bottom Clamp



Image: Detail of the silicone pads providing a secure grip.

3.9 Advanced FOD Sensor

Accurately detects smartphones, preventing false triggers from hand movements for a seamless experience.

4. SETUP AND INSTALLATION

- 1. Choose Your Mount:** Select either the Clamp-Type Air Vent Bracket or the Hook-Type Air Vent Bracket based on your vehicle's air vent design and personal preference.
- 2. Attach the Bracket:** Securely attach the chosen bracket to the back of the Wireless Car Charger Mount. Ensure it clicks firmly into place.
- 3. Install in Vehicle:**
 - **For Clamp-Type:** Gently open the clamp and slide it onto one of your car's air vent blades. Ensure it grips securely.
 - **For Hook-Type:** Insert the hook into an air vent blade and rotate the tightening knob until the mount is stable and secure.
- 4. Connect Power:** Plug the A to C Cable into the USB-C port on the bottom of the charger mount. Connect the other end of the cable to the provided 18W Car Charger Adapter, then plug the adapter into your car's 12V power outlet (cigarette lighter socket).
- 5. Organize Cables:** Use the included 3 cable clips to neatly secure the charging cable, maintaining a clean and streamlined look in your vehicle.

5. OPERATING INSTRUCTIONS

- 1. Placing Your Phone:** Gently place your smartphone onto the charging pad of the mount. The auto-alignment sensor will detect your phone and automatically adjust the arms to secure it and align the charging coil.
- 2. Wireless Charging:** Once your phone is securely placed and aligned, wireless charging will begin automatically. Ensure your phone supports wireless charging.
- 3. Customizing LED Lights:** To change the ambient LED light color, press and hold the side button on the charger mount for approximately 3 seconds. Release and press again briefly to cycle through the 10 available colors.
- 4. Smart Release:** When you turn off your car's engine, the mount will automatically release your phone for easy retrieval.
- 5. Manual Release (Backup Power):** In case of power loss or if you need to remove your phone while the car is off, the mount's built-in backup battery allows for 4 to 6 manual open/close operations. Press the side button to open the arms.

6. MAINTENANCE

- **Cleaning:** Use a soft, dry cloth to wipe down the charger mount. Avoid using abrasive cleaners or solvents that could damage the aluminum finish or electronic components.
- **Silicone Pads:** Periodically check the silicone gripping pads for dust or debris and clean them gently to ensure optimal grip.
- **Cable Management:** Ensure the charging cable is not kinked or pinched, which could lead to damage over time.
- **Storage:** If storing the device for an extended period, disconnect it from power and store it in a cool, dry place.

7. TROUBLESHOOTING

- **Issue: Charger is slow or not charging.**
Solution: Ensure you are using the provided 18W Car Charger Adapter and A to C Cable. Verify that your phone is centered on the charging pad and that its case (if any) is not too thick (some cases may interfere with wireless charging). Ensure your phone supports wireless charging.
- **Issue: Mount falls or is unstable during driving.**
Solution: Re-check the installation of the air vent bracket. Ensure it is securely fastened to a sturdy air vent blade. For hook-type mounts, tighten the knob firmly. For clamp-type, ensure the clamp is fully engaged.
- **Issue: Arms are slow to react or do not open/close automatically.**
Solution: Ensure the charger is properly powered. If the issue persists, try disconnecting and reconnecting the power cable. If the car is off, use the manual release function (press the side button) which is supported by the internal backup battery.
- **Issue: LED lights are not working.**
Solution: Ensure the device is powered. Try pressing and holding the side button for 3 seconds to activate or cycle through the LED modes.
- **Issue: Phone is not detected by the FOD sensor.**
Solution: Ensure there are no obstructions between the phone and the sensor. Remove any foreign objects. Re-position the phone to ensure it is correctly placed on the mount.

8. SPECIFICATIONS

Model Number	CARPLETM1
Input Voltage	5 Volts (AC)
Wattage	15 Watts
Amperage	2 Amps
Connectivity	Wireless
Connector Type	USB Type C
Compatible Devices	Smartphones (4.7 to 6.8 inches)
Special Features	Auto Alignment, Fast Charging, Smart Release, Wireless Charging, 10-Color LED
Color	Gray
Item Weight	15.8 ounces
Package Dimensions	5.67 x 5 x 3.07 inches
Manufacturer	Carple

Date First Available

July 11, 2024

9. WARRANTY AND SUPPORT

The CARPLE Wireless Car Charger Mount comes with a **2-Year Warranty** from the date of purchase, covering manufacturing defects and malfunctions under normal use. Please retain your proof of purchase for warranty claims.

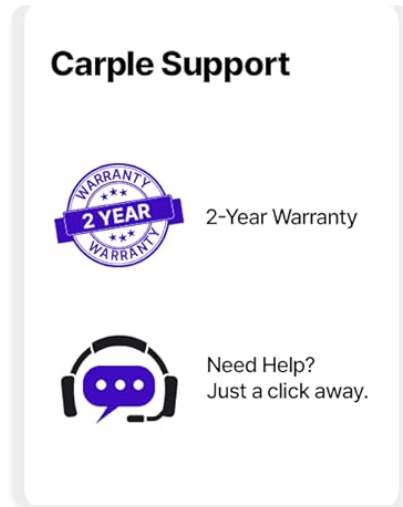


Image: Carple Support information, highlighting warranty and customer service.

For technical support, warranty claims, or any inquiries regarding your product, please contact Carple customer service through the official website or the contact information provided with your product packaging. Please have your model number (CARPLETM1) and purchase details ready.

This product is FCC and CE Certified, ensuring compliance with relevant safety and quality standards.

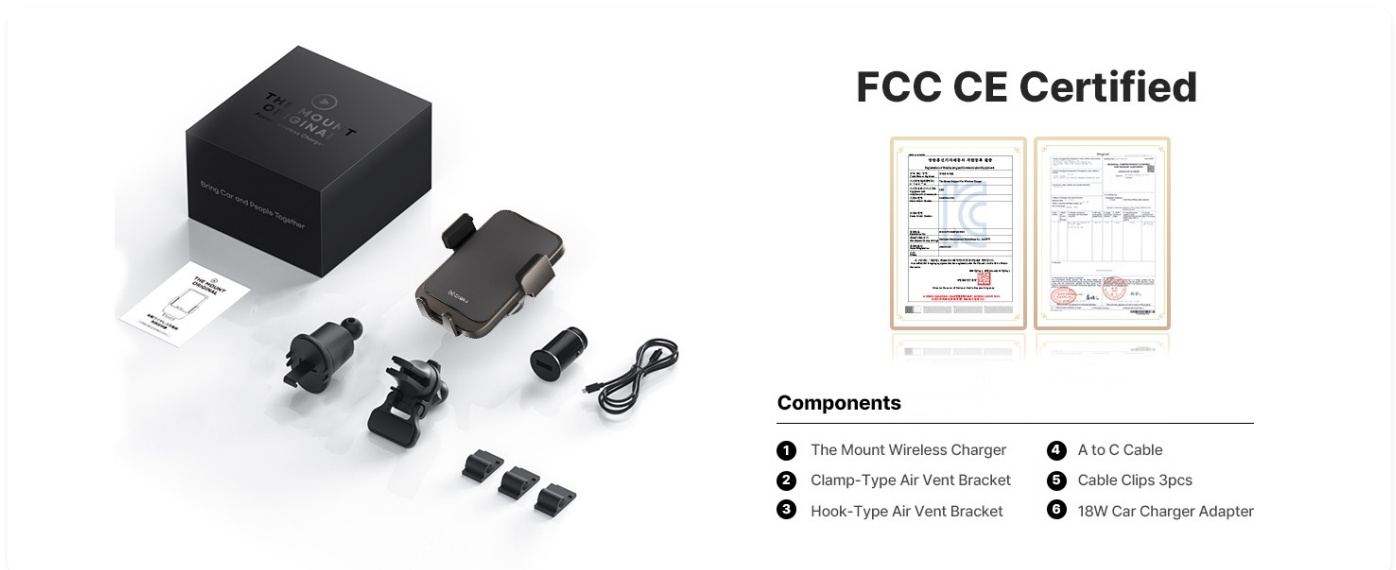


Image: FCC and CE certification documents.