

[Manuals.plus](#) /

› [IDEALHOUSE](#) /

› IDEALHOUSE Rattan Shoe Storage Cabinet FLHJ24071002-Wc5abF User Manual

IDEALHOUSE FLHJ24071002-Wc5abF

IDEALHOUSE Rattan Shoe Storage Cabinet User Manual

Model: FLHJ24071002-Wc5abF

INTRODUCTION

Thank you for choosing the IDEALHOUSE Rattan Shoe Storage Cabinet. This manual provides detailed instructions for assembly, operation, maintenance, and safety to ensure proper use and longevity of your product. Please read this manual thoroughly before assembly and retain it for future reference.



Image: The IDEALHOUSE Rattan Shoe Storage Cabinet, showcasing its design with three flip-down shoe drawers, an open side storage compartment, and a top surface for display.

SAFETY INFORMATION

- **Anti-Tip Device:** This cabinet must be secured to the wall using the provided anti-tip device to prevent tipping. This is crucial for the safety of children and pets.
- Do not allow children to climb on or play with the cabinet.
- Ensure all screws and fasteners are tightened securely during assembly. Periodically check and re-tighten if necessary.
- Do not overload the shelves or drawers. Distribute weight evenly.
- Place the cabinet on a flat, stable surface. Use the adjustable metal legs to ensure stability on uneven floors.

Prevent Tip-over Incidents Ensuring your family's Safety

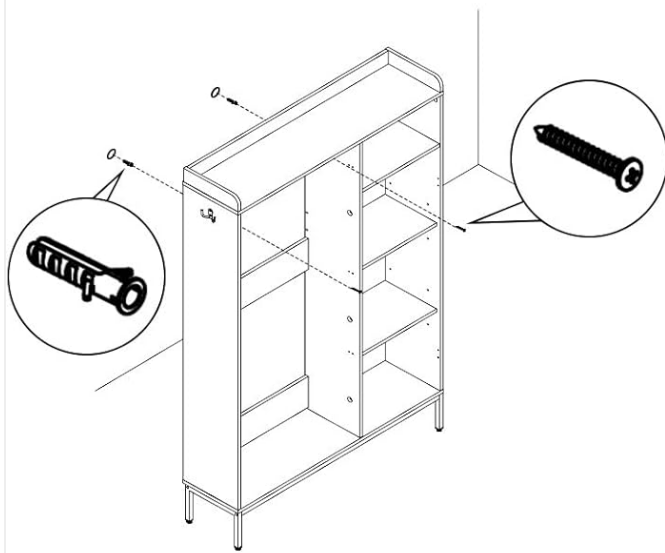
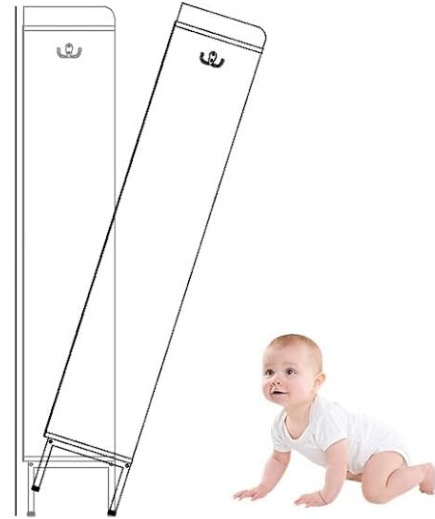
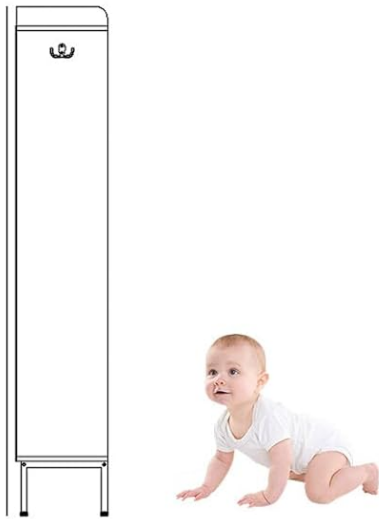


Image: Anti-tip device installation diagram and safety warning. The diagram illustrates how to secure the cabinet to the wall to prevent accidental tipping, showing a stable cabinet next to a child and a tipping cabinet as a hazard.

PARTS LIST

Before beginning assembly, verify that all parts listed below are present and undamaged. If any parts are missing or damaged, please contact customer support.

- Cabinet panels (top, bottom, sides, back)
- Flip drawers with rattan decorative fronts (3 sets)
- Adjustable internal shelves for flip drawers
- Metal legs (4)
- Adjustable support feet (pre-attached to metal legs or separate)
- Side hooks (for umbrellas/bags)
- Assembly hardware (screws, dowels, cam locks, etc.)

- Anti-tip device (wall anchor, strap/cable, screws)
- Installation instructions
- Installation tools (basic wrench/screwdriver may be included)

ASSEMBLY INSTRUCTIONS

Follow the detailed installation instructions provided in the package. A general overview of the assembly process is outlined below:

1. **Unpack and Identify Parts:** Lay out all components and hardware. Compare them with the parts list in the included manual.
2. **Assemble the Main Frame:** Connect the side panels to the bottom and top panels using the provided hardware.
3. **Install Back Panel:** Secure the back panel to the main frame.
4. **Attach Metal Legs:** Fasten the metal legs to the bottom of the cabinet. Adjust the support feet to level the cabinet.
5. **Assemble Flip Drawers:** Construct the three flip drawers. Insert the adjustable internal shelves into each drawer.
6. **Install Flip Drawers:** Mount the assembled flip drawers into their designated compartments.
7. **Install Side Hooks:** Attach the side hooks as desired.
8. **Secure Anti-Tip Device:** Attach the anti-tip device to the top rear of the cabinet and secure it to a wall stud. This step is mandatory for safety.

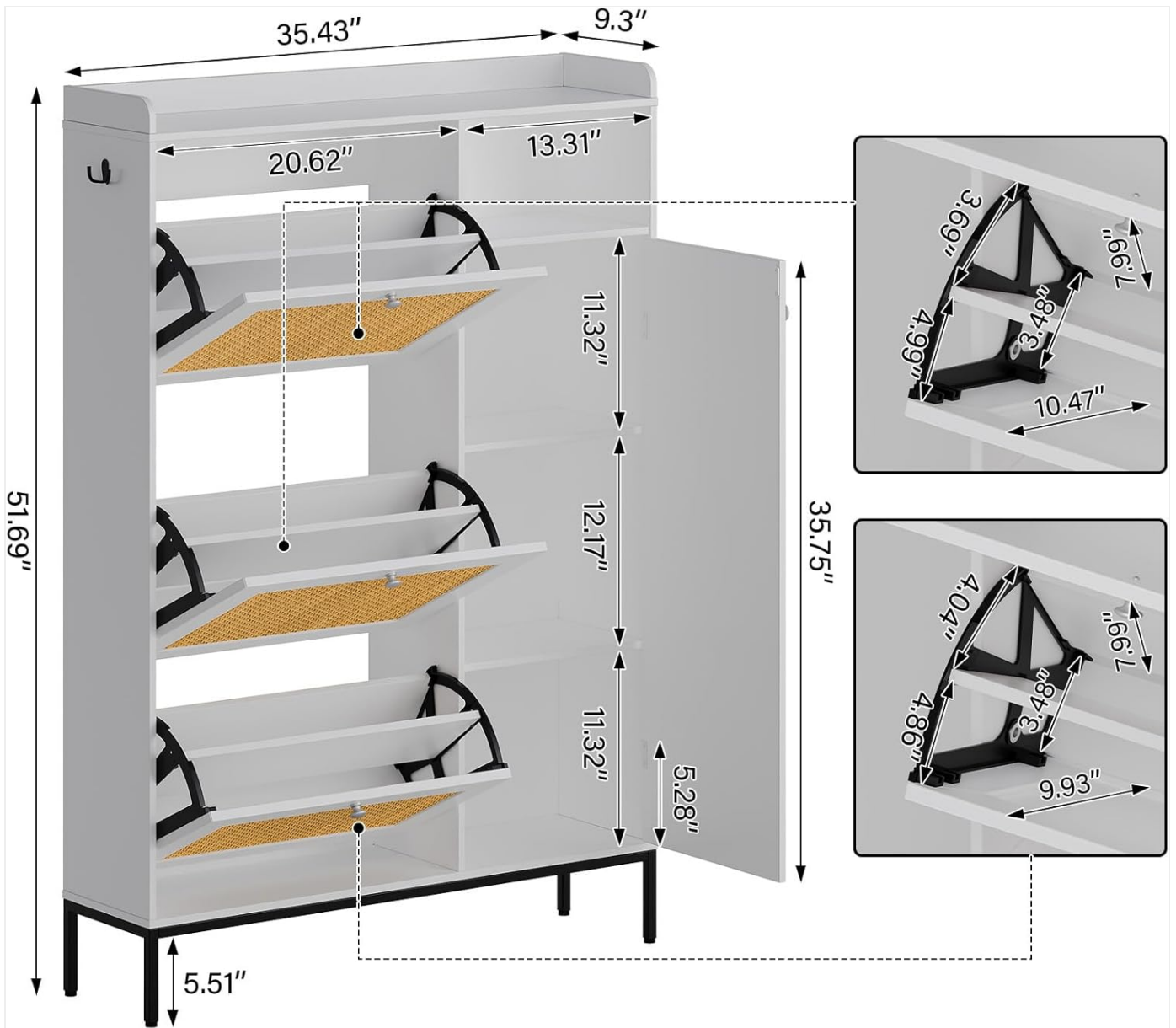


Image: Cabinet dimensions. This image provides a detailed diagram of the cabinet's external and internal dimensions, including the flip drawers and side compartments.



Image: Detailed features. This image highlights key features such as the metal knob, adjustable support feet for leveling, side hooks for hanging items, and the protective fence on the top surface.

OPERATING INSTRUCTIONS

Using the Flip Drawers

- To open a flip drawer, gently pull the knob located on the front of the drawer. The drawer will pivot downwards, revealing the shoe compartments.
- Place shoes into the compartments. Each flip drawer has two layers of storage.
- To close, push the drawer upwards until it clicks securely into place.

Adjusting Internal Shelves

- The internal shelves within each flip drawer can be adjusted or removed to accommodate different shoe heights (e.g., flats, sneakers, heels).
- To adjust, open the flip drawer, carefully lift the shelf from its current position, and re-insert it into the desired slot.

- To remove a shelf, simply lift it out.

Using Side Storage and Top Surface

- The right-side storage space is designed for taller items like boots or other accessories.
- The spacious top surface can be used for placing small items such as keys, wallets, or decorative objects. The integrated fence helps prevent items from falling off.
- Utilize the side hooks for hanging umbrellas, bags, or other small items.
- The bottom open space can accommodate slippers or allow for easy access for a sweeping robot.



Image: Internal storage organization. This image illustrates the various storage zones, including the adjustable shoe rack sections, the open bottom space for slippers or a robot vacuum, and the top surface with an anti-fall edge.

MAINTENANCE

- **Cleaning:** Wipe the cabinet surfaces with a soft, damp cloth. Avoid harsh chemicals or abrasive cleaners, which can

damage the finish.

- **Rattan Care:** The rattan decorative doors are waterproof and anti-scratch. For cleaning, a slightly damp cloth is sufficient.
- **Regular Checks:** Periodically inspect all connections and hardware to ensure they remain tight. Re-tighten any loose screws.
- **Avoid Direct Sunlight:** Prolonged exposure to direct sunlight may cause fading or damage to the finish.



Image: Rattan material detail. This close-up shows the texture and quality of the rattan decorative doors, emphasizing their waterproof and anti-scratch features.

TROUBLESHOOTING

Problem	Possible Cause	Solution
---------	----------------	----------

Problem	Possible Cause	Solution
Cabinet is wobbly or unstable.	Uneven floor; loose leg connections; anti-tip device not installed.	Adjust the support feet on the metal legs to level the cabinet. Ensure all leg connections are tight. Install the anti-tip device securely to the wall.
Flip drawer does not open/close smoothly.	Obstruction; incorrect assembly of drawer mechanism; overloaded drawer.	Check for any items blocking the drawer's movement. Review assembly instructions for the flip drawer mechanism. Reduce the number of shoes in the drawer.
Shoes do not fit in flip drawers.	Internal shelf height is too low.	Adjust or remove the internal shelves within the flip drawers to accommodate taller shoes.
Missing parts during assembly.	Packaging error.	Contact IDEALHOUSE customer support with your model number and a description of the missing parts.

SPECIFICATIONS

Feature	Detail
Brand	IDEALHOUSE
Model Name	FLHJ24071002-Wc5abF
Color	White
Product Dimensions (D x W x H)	9.3"D x 35.43"W x 51.69"H
Material	MDF Wood, Iron (frame/legs), Rattan (drawer fronts)
Number of Flip Drawers	3
Number of Shelves	3 (internal adjustable shelves per flip drawer)
Special Features	Adjustable Shelves, Anti-Tip Device, Adjustable Metal Legs, Side Hooks, Rattan Decorative Doors
Mounting Type	Floor Mount (with wall anchor for safety)
Assembly Required	Yes
Item Weight	69 Pounds
Recommended Uses	Shoes, Umbrellas, Entryway, Hallway, Living Room

WARRANTY AND SUPPORT

IDEALHOUSE is committed to providing high-quality products. While specific warranty details are not provided in this manual, we stand by the quality of our products.

If you encounter any issues during the assembly or use of your IDEALHOUSE Rattan Shoe Storage Cabinet, or if you have any questions, please do not hesitate to contact our customer support team. We are dedicated to assisting you and ensuring your satisfaction.

Please have your model number (FLHJ24071002-Wc5abF) and purchase information ready when contacting support.



