

[Manuals.plus](#) /

> [NICECNC](#) /

> NICECNC Rear Luggage Rack Kit Instruction Manual for 790 & 890 Adventure Motorcycles

NICECNC Rear Luggage Rack Kit

NICECNC Rear Luggage Rack Kit Instruction Manual

For 790 Adventure (2019-2024) & 890 Adventure (2020-2024) Motorcycles

1. INTRODUCTION

This manual provides detailed instructions for the installation, operation, and maintenance of your NICECNC Rear Luggage Rack Kit. Designed for 790 Adventure (2019-2024) and 890 Adventure (2020-2024) motorcycles, this rack offers a spacious and secure platform for transporting various types of luggage. Please read this manual thoroughly before installation and use to ensure proper function and safety.

2. SAFETY INFORMATION

- Always ensure all mounting bolts are securely tightened before each ride.
- Do not exceed the maximum load capacity of your motorcycle or the luggage rack.
- Distribute weight evenly on the rack to maintain motorcycle stability.
- Regularly inspect the rack and mounting hardware for any signs of wear, damage, or looseness.
- Ensure luggage is securely fastened to prevent shifting during transit, which can affect handling.

3. PACKAGE CONTENTS

Please verify that all components are present before beginning installation:

- 1 x NICECNC Rear Luggage Rack
- Mounting Hardware (Grade 10.9 zinc-plated bolts, powder-coated washers)

Note: Additional accessories such as Rotopax brackets, Givi, SW-Motech, or Kriega mounting rings are sold separately.

4. INSTALLATION GUIDE

Follow these general steps for installing your NICECNC Rear Luggage Rack. Specific motorcycle models may have slight variations.

1. **Prepare the Motorcycle:** Ensure the motorcycle is on a stable surface, preferably a center stand or paddock stand. Turn off the engine and remove the ignition key.
2. **Locate Mounting Points:** Identify the factory mounting points on the rear subframe of your 790 or 890 Adventure motorcycle. These are typically where the passenger grab handles or existing rear rack would attach.
3. **Position the Rack:** Carefully align the NICECNC Rear Luggage Rack with the identified mounting points on the motorcycle subframe.
4. **Install Hardware:** Insert the provided Grade 10.9 zinc-plated bolts with powder-coated washers through the rack and into the motorcycle's mounting points. Hand-tighten all bolts initially.
5. **Tighten Securely:** Once all bolts are in place and the rack is properly aligned, progressively tighten each bolt using appropriate tools. Ensure even tightening to prevent stress on the frame. Refer to your motorcycle's service manual for specific torque specifications if available.
6. **Final Check:** After tightening, gently attempt to move the rack to confirm it is securely mounted and does not wobble.

PERFECT FIT

Ensure more precise and secure installation.



This image shows the NICECNC Rear Luggage Rack precisely fitted onto the rear frame of a compatible motorcycle, highlighting its seamless integration.



This perspective shows the luggage rack mounted on the motorcycle, providing a clear view of its position relative to the rear wheel and exhaust system.

5. OPERATING INSTRUCTIONS

The NICECNC Rear Luggage Rack is designed for versatile luggage transport.

- **Load Platform:** The generous surface (approximately 30/19 cm width x 32 cm length) provides stable support for various luggage items, including travel bags, frameless panniers, and hard-top boxes.
- **Securing System:** Utilize the 26 securing slots to easily accommodate soft-sided luggage, tool kits, and compact roll-up bags using straps or bungee cords.
- **Accessory Compatibility:** The rack features reserved 8mm mounting holes for direct installation of RAM mounts for action cameras. Pre-drilled mounting points also support Rotopax brackets (for 1/2-gallon oil/water tanks), Givi, SW-Motech accessories, and Kriega mounting rings. Ensure compatibility of third-party accessories before purchase.

LUGGAGE RACK HOLE PATTERN & COMPATIBILITY



A close-up of the luggage rack illustrating its various securing slots and mounting holes designed for diverse luggage types and third-party accessories.

6. MAINTENANCE

To ensure the longevity and appearance of your luggage rack:

- **Cleaning:** Clean the rack regularly with mild soap and water. Avoid abrasive cleaners or harsh chemicals that could damage the powder-coated finish.
- **Inspection:** Periodically check the matte black powder-coated surface for any chips or scratches that could expose the aluminum to corrosion. Touch up as needed with appropriate paint.
- **Fastener Check:** Regularly inspect all mounting bolts for tightness. Vibrations from riding can cause fasteners to loosen over time.

RUSTPROOF SURFACE

Powder coating for added rust and corrosion resistance



Corrosion resistance



Corrosion resistance



Gloss Color Style

The image highlights the matte black powder-coated surface, which provides enhanced resistance against rust and corrosion, ensuring longevity.

7. TROUBLESHOOTING

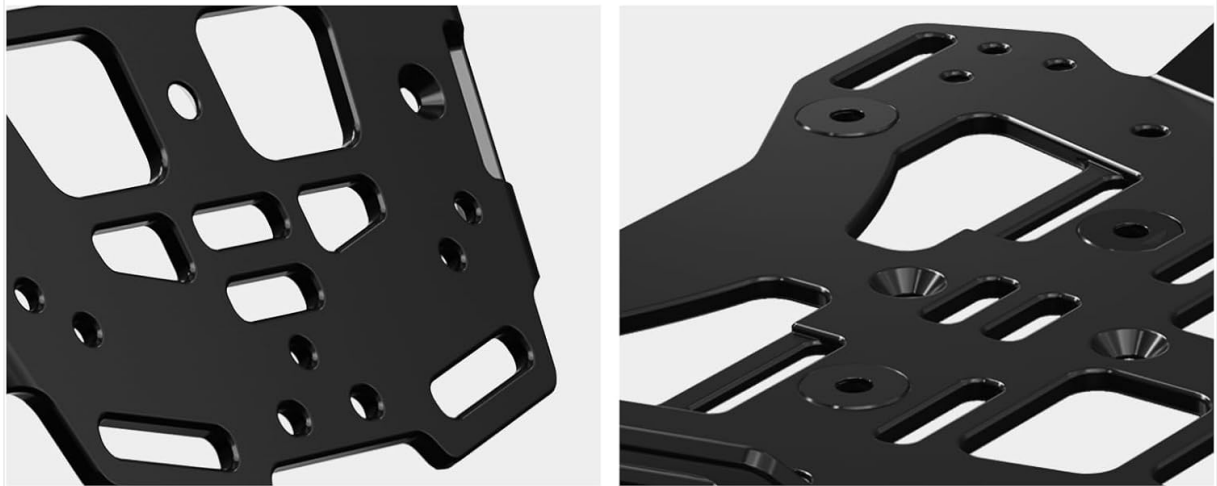
If you encounter issues with your luggage rack, consider the following:

- **Rack feels loose:** Re-check all mounting bolts and ensure they are tightened to the appropriate torque. Inspect for any damaged threads or hardware.
- **Difficulty fitting accessories:** Verify that the accessories you are attempting to mount are compatible with the rack's hole patterns and dimensions. Some accessories may require specific adapters (sold separately).
- **Unusual noises during riding:** Ensure all luggage is securely fastened and not shifting. Check the rack's mounting points for any looseness or contact with other motorcycle components.

8. SPECIFICATIONS

Product Dimensions	15.94 x 13.98 x 3.74 inches (approx. 40.5 x 35.5 x 9.5 cm)
Item Weight	2.75 pounds (approx. 1.25 kg)
Material	6mm-thick 5052 Forged Aluminum

Surface Finish	Matte Black Powder-Coated
Compatibility	790 Adventure (2019-2024), 890 Adventure (2020-2024)



A technical drawing displaying the approximate dimensions of the luggage rack: 300mm (11.81in) width, 320mm (12.59in) length, and 190mm (7.48in) at the narrowest point.

6MM SUPER THICK 5052 BILLET ALUMINUM

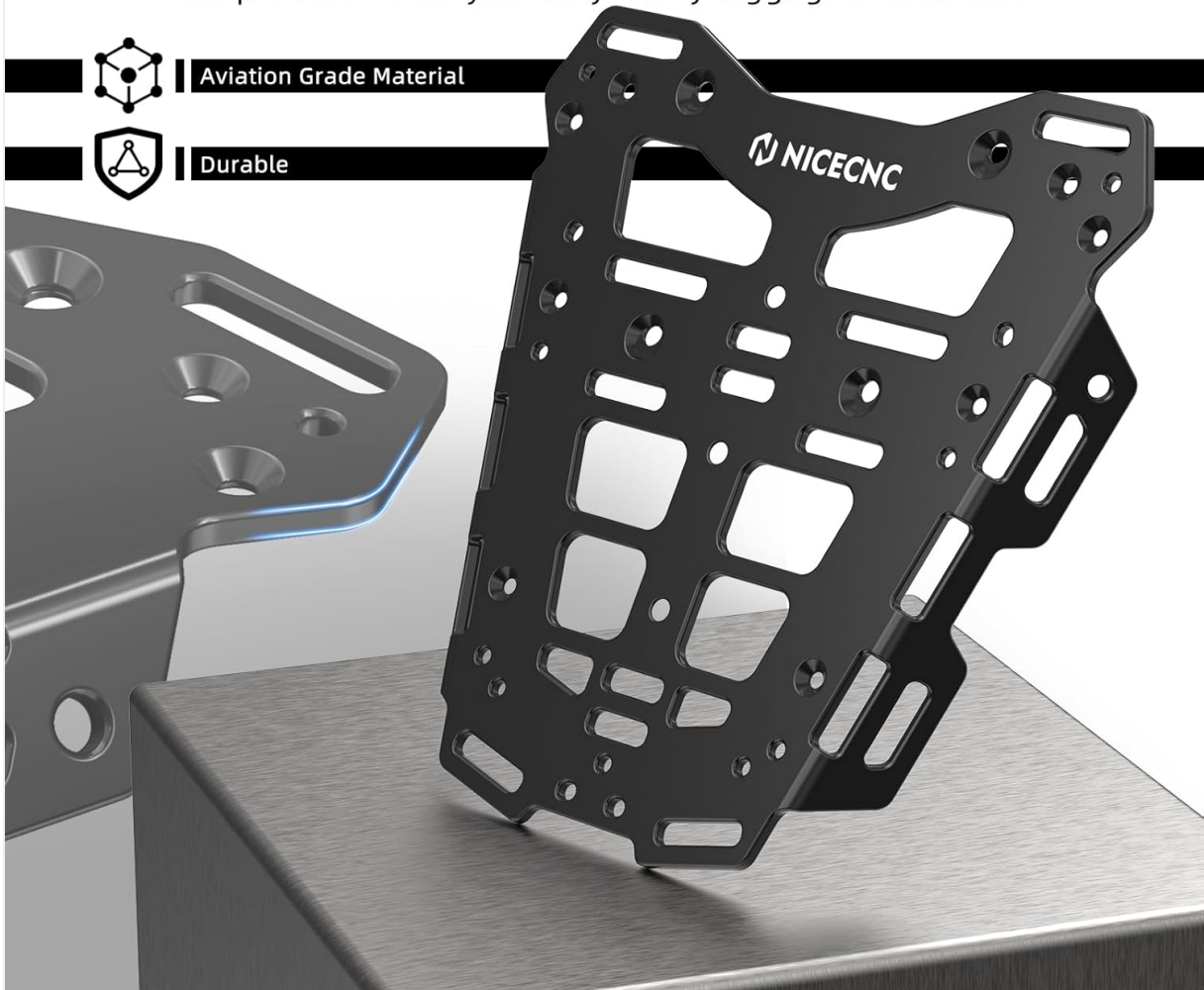
No problem when you carry heavy luggage on the rack



Aviation Grade Material



Durable



This image emphasizes the robust 6mm thick 5052 forged aluminum construction, indicating high strength and durability for heavy loads.

9. WARRANTY INFORMATION

For specific warranty terms and conditions, please refer to the official NICECNC website or contact their customer support directly. Warranty coverage typically addresses manufacturing defects and material flaws under normal use.

10. CUSTOMER SUPPORT

If you have any questions, require assistance with installation, or need to report an issue, please contact NICECNC customer support through their official website. Provide your product model and purchase details for efficient service.