

## Kukirin G4

# Kukirin G4 Electric Scooter User Manual

Model: G4

Brand: Kukirin

## 1. INTRODUCTION AND OVERVIEW

Welcome to the user manual for your new Kukirin G4 Electric Scooter. This manual provides essential information for the safe and efficient operation, maintenance, and troubleshooting of your scooter. Please read it thoroughly before your first ride to ensure optimal performance and safety.

The Kukirin G4 is a high-performance electric scooter designed for adults, featuring a powerful 2000W motor, a long-lasting 60V 20AH battery, and robust 11-inch off-road tires. It offers a top speed of up to 43 mph and a range of approximately 47 miles, making it suitable for both commuting and off-road adventures. Key features include a detachable seat for versatile riding, a smart Touch LED display, and a comprehensive lighting system for enhanced visibility.



Image: The Kukirin G4 Electric Scooter shown in both its upright riding position and its compact folded state, highlighting its portability.



Image: A rider on the Kukirin G4 scooter, illustrating its powerful 2000W motor, 70 KM/H (43 MPH) top speed, 75 KM (47-mile) long range, and 60V/20Ah battery capacity.

## 2. SAFETY INFORMATION

Your safety is paramount. Always adhere to the following guidelines:

- **Wear a Helmet:** Always wear a certified helmet and other protective gear (knee pads, elbow pads) when riding.
- **Check Local Laws:** Be aware of and comply with all local laws and regulations regarding electric scooter use.
- **Pre-Ride Inspection:** Before each ride, check the brakes, tires (pressure and condition), lights, and ensure all quick-release mechanisms are securely fastened.
- **Weight Limit:** Do not exceed the maximum weight limit of 264 pounds (120 kg).
- **Weather Conditions:** Avoid riding in heavy rain, snow, or icy conditions. The scooter is water-resistant but not waterproof.
- **Road Conditions:** Exercise caution on uneven surfaces, gravel, wet roads, or slippery terrain.
- **Visibility:** Use the scooter's lights and wear reflective clothing, especially when riding at night or in low-light

conditions.

- **Age Recommendation:** This scooter is designed for adult use.

## 3. PACKAGE CONTENTS

Upon opening your Kukirin G4 Electric Scooter package, please verify that all the following components are included:

- Kukirin G4 Electric Scooter
- Detachable Seat
- Battery Charger
- User Manual (this document)
- Necessary Tools for Assembly (if applicable)

## 4. SETUP

### 4.1 Unfolding the Scooter

1. Place the scooter on a flat surface.
2. Locate the folding mechanism latch, typically near the base of the handlebar stem.
3. Release the latch and carefully lift the handlebar stem until it locks into the upright position. Ensure it is securely locked before proceeding.
4. Adjust the handlebar height if necessary using the quick-release clamp on the stem.

### 4.2 Attaching the Detachable Seat

The Kukirin G4 comes with a detachable seat for added comfort during longer rides.

1. Identify the seat post receiver on the scooter's deck.
2. Insert the seat post into the receiver.
3. Adjust the seat height to your preference and secure it with the provided clamping mechanism. Ensure the seat is stable and does not wobble.



Image: The Kukirin G4 Electric Scooter with its detachable seat fully installed, ready for use.

### 4.3 Initial Charging

Before your first ride, fully charge the scooter's battery. The charging time is approximately 10-12 hours.

1. Locate the charging port on the scooter, usually covered by a rubber flap.
2. Connect the charger to the charging port.
3. Plug the charger into a standard wall outlet. The charger's indicator light will typically show red during charging and turn green when fully charged.
4. Once fully charged, disconnect the charger from the scooter and the wall outlet. Securely close the charging port cover.

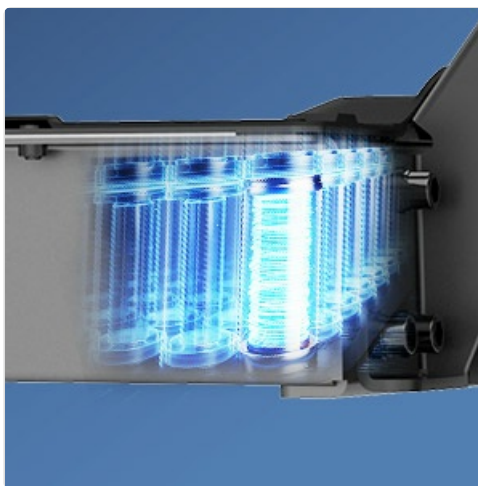


Image: A detailed view of the high-performance 18650 lithium battery cells inside the Kukirin G4, emphasizing its 60V/20Ah capacity for extended range.

## 5. OPERATING THE SCOOTER

### 5.1 Powering On/Off

To power on the scooter, press and hold the power button on the smart Touch LED display. To power off, press and hold the power button again until the display turns off.

### 5.2 Smart Touch LED Display

The integrated Touch LED display provides real-time information about your ride:

- **Speed Display:** Shows current riding speed.
- **Speed Mode:** Indicates the selected riding mode (e.g., ECO, SPORT, RACE). The G4 features 3 distinct speed modes.
- **Battery Power:** Displays the remaining battery level.
- **Lighting Indicator:** Shows if headlights and taillights are active.
- **Cruise Control:** An icon indicates when cruise control is engaged.

# TOUCH LED DISPLAY



3 Speed Mode



Speed Display



Cruise Control



Battery Life



LED lighting



## Waterproof Display

With a waterproof design, you don't have to worry about damage even if it's windy or rainy.

Image: Close-up of the Kukirin G4's waterproof Touch LED display, showing speed, speed mode, battery power, lighting status, and cruise control indicators.

## 5.3 Riding Modes and Cruise Control

The Kukirin G4 offers multiple riding modes to suit different conditions and preferences. Use the mode button on the display to cycle through them. To activate cruise control, maintain a consistent speed for a few seconds, and it will automatically engage. Press the brake lever or accelerator to disengage.

## 5.4 Braking System

The scooter is equipped with front and rear 140mm disc brakes for reliable stopping power. To brake, gently squeeze the brake levers on the handlebars. Apply both brakes simultaneously for optimal and balanced stopping. The rear stoplight automatically illuminates during braking for increased safety.



Image: The Kukirin G4 showcasing its double 140mm disc brakes, designed for superior braking performance.

## 5.5 Lighting System

The Kukirin G4 features a comprehensive lighting system for visibility and safety:

- **Headlights:** LED headlights provide illumination for night riding.
- **Taillights:** Rear taillights enhance visibility from behind.
- **Turn Signals:** Left and right steering indicators allow you to signal turns to other road users.





Image: A top-down diagram illustrating the Kukirin G4's complete light system, including one headlight, two turn signals, and one taillight.

## 6. MAINTENANCE

Regular maintenance ensures the longevity and safe operation of your Kukirin G4 scooter.

- **Tire Care:** The 11-inch off-road pneumatic tubeless tires are durable. Regularly check tire pressure and inspect for wear or damage. If you experience a puncture, tire repair fluid can be added as a temporary solution.
- **Battery Care:** To maximize battery life, avoid fully discharging the battery. Charge it regularly, even if not in use for extended periods (at least once a month). Store the scooter in a cool, dry place.
- **Cleaning:** Clean the scooter with a damp cloth. Do not use high-pressure water jets or immerse the scooter in water.
- **Brake Inspection:** Periodically check the brake levers, cables, and disc pads for wear. Adjust or replace components as needed.
- **General Checks:** Regularly inspect all bolts, screws, and quick-release mechanisms to ensure they are tight and secure.

## 7. TROUBLESHOOTING

This section addresses common issues you might encounter with your Kukirin G4 scooter.

Problem	Possible Cause	Solution
Scooter does not power on	Low battery; Loose connections; Power button issue	Charge the battery; Check all visible connections; Contact support if issue persists

Problem	Possible Cause	Solution
Reduced range or speed	Underinflated tires; Overload; Battery degradation	Inflate tires to recommended pressure; Reduce load; Ensure proper charging habits
Brakes feel weak	Worn brake pads; Loose brake cable; Air in hydraulic system (if applicable)	Inspect and replace brake pads; Adjust brake cable tension; Seek professional service
Unusual noises during ride	Loose components; Debris in wheels; Motor issue	Check all bolts and screws; Inspect wheels for foreign objects; Contact support

If you encounter a problem not listed here or if the suggested solutions do not resolve the issue, please contact Kukirin customer support for assistance.

## 8. SPECIFICATIONS

Detailed technical specifications for the Kukirin G4 Electric Scooter:

Feature	Specification
Brand	Kukirin
Model Name	G4
Age Range (Description)	Adult
Motor Power	2000W
Battery	60V 20AH
Maximum Distance Range	47 Miles (75 KM)
Maximum Speed	43 MPH (70 KM/H)
Weight Limit	264 Pounds (120 kg)
Number of Wheels	2
Wheel Size	11 Inches
Wheel Type	Pneumatic Tubeless
Wheel Material	Rubber
Frame Material	Aluminum or Aluminum Alloy
Suspension Type	Dual Suspension
Brake Style	Front Braking, Rear Braking (Dual Disc Brakes)
Handlebar Type	Adjustable

Feature	Specification
Special Features	Cruise Control, Digital Display, Detachable Seat, Foldable
Recommended Uses	Commuting, off-road exploration
Charging Time	10-12 hours

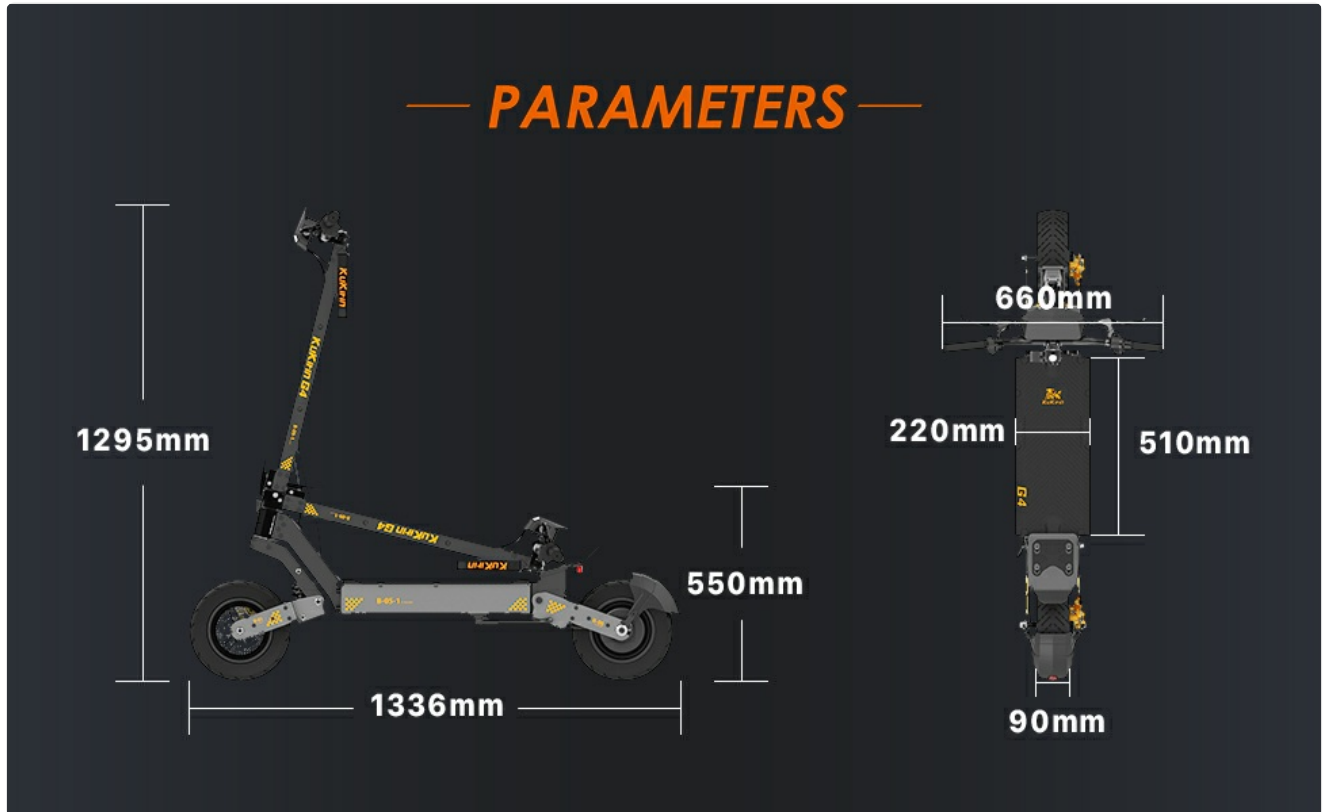


Image: A diagram illustrating the key dimensions and parameters of the Kukirin G4 Electric Scooter, including its length, height, and deck width.

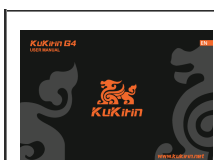
## 9. WARRANTY AND SUPPORT

The Kukirin G4 Electric Scooter comes with a 1-year limited warranty. Additionally, you will receive 12 months of after-sales service from the date of purchase. This warranty covers manufacturing defects under normal use conditions.

For warranty claims, technical support, or any inquiries regarding your scooter, please refer to the contact information provided on the product packaging or the official Kukirin website. When contacting support, please have your model number (G4) and proof of purchase readily available.

© 2024 Kukirin. All rights reserved.

### Related Documents



#### [Kukirin G4 Electric Scooter User Manual: Assembly, Operation, and Maintenance](#)

Comprehensive user manual for the Kukirin G4 electric scooter, covering basic information, product introduction, assembly, battery charging, usage, cleaning, maintenance, and after-sales service. Learn how to safely operate and care for your G4 scooter.



[KuKirin G2 Master Electric Scooter Operation Manual](#)

Comprehensive operation manual for the KuKirin G2 Master electric scooter, covering assembly, operation, safety guidelines, troubleshooting, maintenance, and warranty information.



[KuKirin G2 Master Electric Scooter Operation Manual](#)

Comprehensive operation manual for the KuKirin G2 Master electric scooter, covering assembly, usage, maintenance, troubleshooting, and warranty information.

[KuKirin G2 Pro Electric Scooter Operation Manual](#)

Comprehensive operation manual for the KuKirin G2 Pro electric scooter, covering safety, specifications, assembly, operation, maintenance, troubleshooting, and warranty information.