

## Manuals+

[Q & A](#) | [Deep Search](#) | [Upload](#)

manuals.plus /

- › [KYKY](#) /
- › [KYKY S6 Self-Cleaning Litter Box User Manual](#)

## KYKY HIP-C201W

# KYKY S6 Self-Cleaning Litter Box User Manual

Model: HIP-C201W

## INTRODUCTION

---

The KYKY S6 Self-Cleaning Litter Box is an advanced automatic litter management system designed to simplify pet care. Its open design is familiar to cats, promoting immediate acceptance, while its intelligent features ensure a clean and odor-free environment. This manual provides comprehensive instructions for setup, operation, maintenance, and troubleshooting to ensure optimal performance and longevity of your device.



Figure 1: The KYKY S6 Self-Cleaning Litter Box, showcasing its open design and the accompanying mobile application interface.

## SAFETY INFORMATION

---

- Always ensure the litter box is placed on a stable, level surface.
- Do not immerse the main unit in water or any other liquid. Clean with a damp cloth only.
- Keep children and pets away from the moving parts during operation. The device features an anti-pinch mechanism and infrared sensors to protect your cat, but supervision is recommended.
- Use only clumping cat litter as specified in the operating instructions. Other types of litter may damage the mechanism.
- Unplug the device from the power outlet before cleaning or performing any maintenance.
- Do not attempt to disassemble or repair the device yourself. Contact customer support for assistance.
- Ensure the power cord is not pinched or damaged.

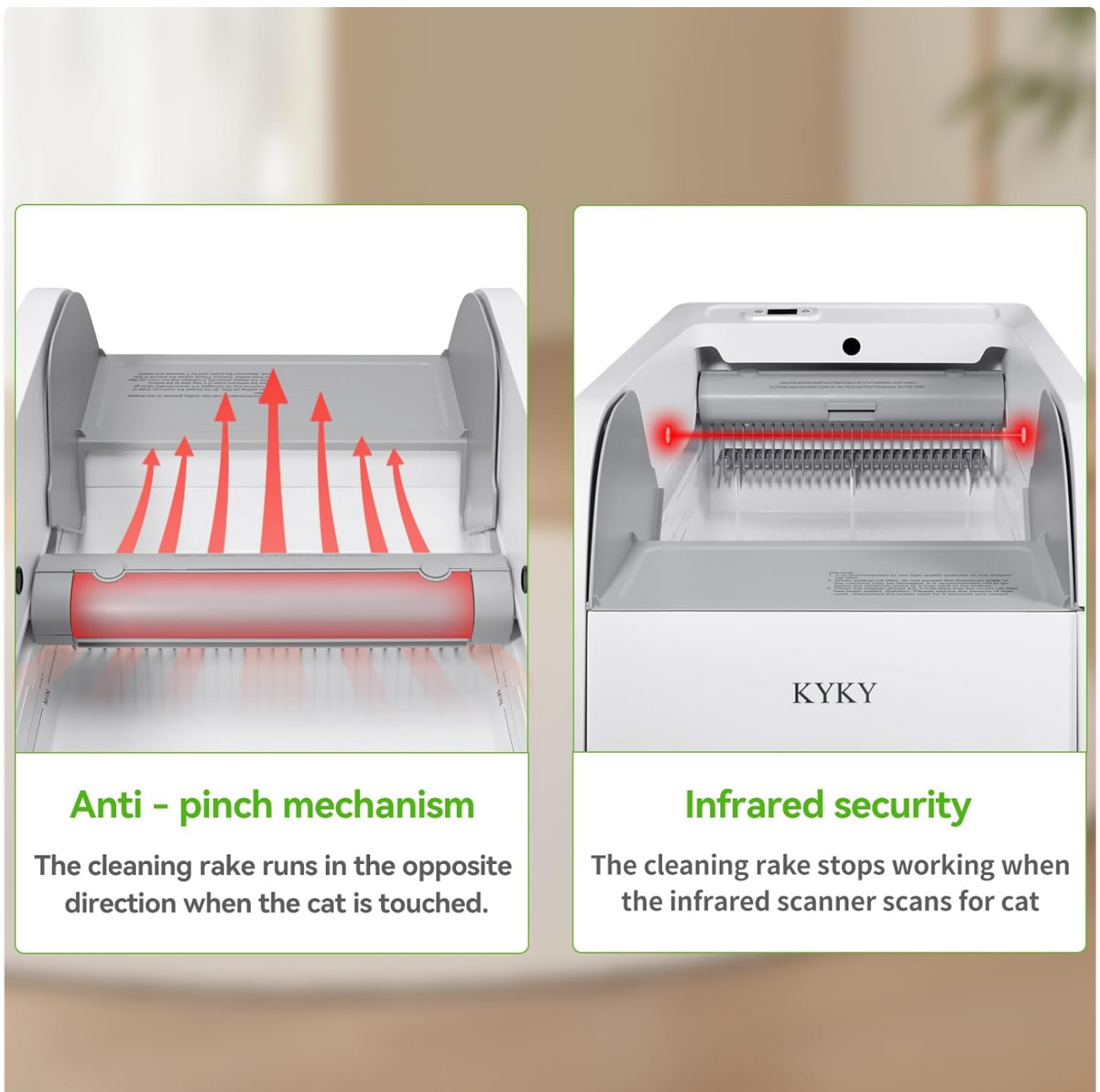


Figure 2: Safety features including the anti-pinch mechanism and infrared sensors, which stop the cleaning rake if a cat is detected.

## PACKAGE CONTENTS

Please check the package contents upon unboxing to ensure all items are present and undamaged:

- KYKY S6 Self-Cleaning Litter Box Main Unit
- Power Adapter
- User Manual (this document)
- Litter Mat
- Waste Collection Bags (starter pack)

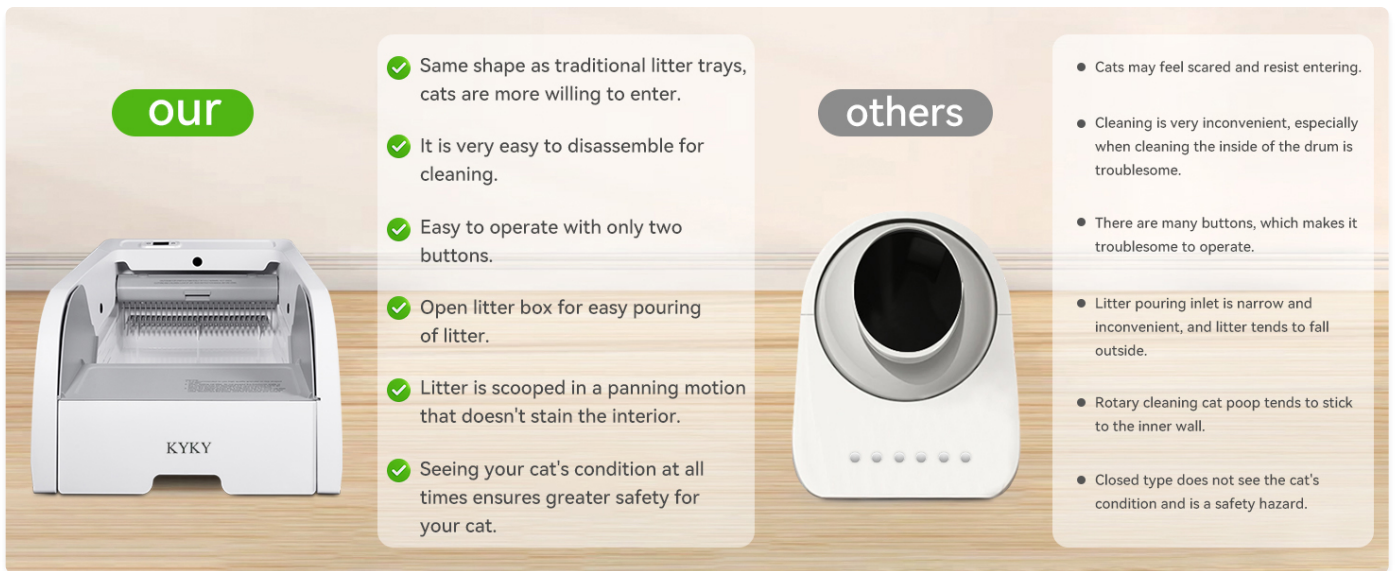


Figure 3: Visual representation of all items included in the KYKY S6 Self-Cleaning Litter Box package.

## SETUP

---

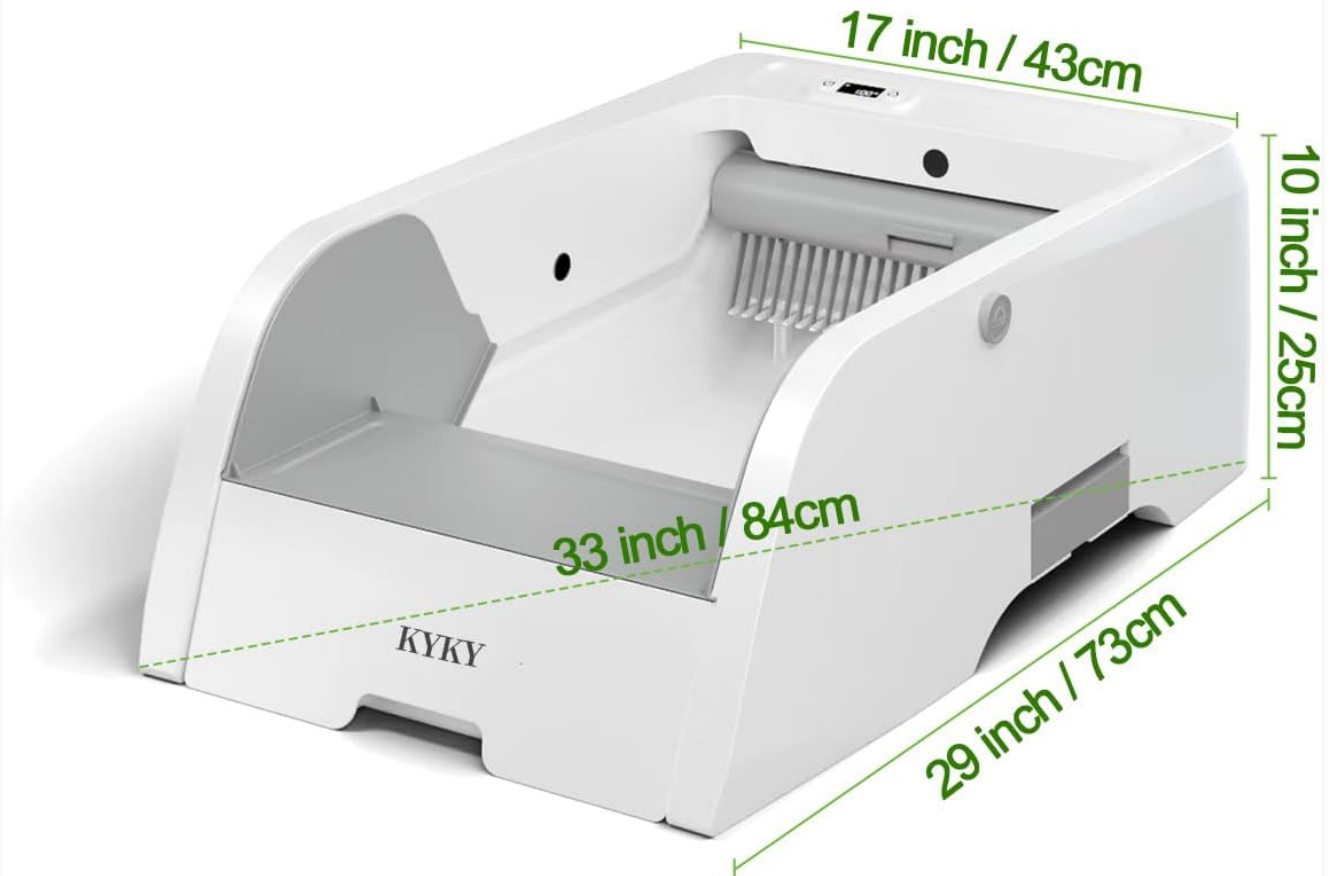
1. **Placement:** Choose a suitable location for the litter box. Ensure it is on a flat, stable surface and has access to a power outlet. The open design is compatible with various spaces, but avoid narrow corners or small apartments if space is a concern.

# Large open space for big cats and many cats

 Large Size Alert: Measure Your Space

 Best for: Bathroom / Laundry Room / Balcony

 Avoid: Narrow Corners / Small Apartments



**KYKY** Smart Tech, Thoughtful Design

Figure 4: Product dimensions and recommended placement areas.

- Assemble Components:** The main unit comes largely pre-assembled. Ensure the sand box, cleaning rake, pedals, and collection bucket are correctly seated. Refer to the exploded view for component identification.



Figure 5: Exploded view of the litter box components for assembly reference.

3. **Add Litter:** Fill the litter box with clumping cat litter. Ensure the litter level is between the MIN and MAX lines indicated inside the litter pan. Using fine-grained, strong clumping litter is recommended for smoother auto-cleaning. Avoid crystal litter or long strip cat litter.

# Save **\$40** per change with clumping litter vs. crystal litter



Using fine grained, strong clumping litter will make auto-cleaning go much smoother

Figure 6: Compatible and incompatible litter types for the S6 Self-Cleaning Litter Box.

4. **Install Waste Bag:** Place a waste collection bag into the enclosed litter compartment (5L capacity). This compartment provides an odor barrier.
5. **Power On:** Connect the power adapter to the litter box and plug it into a wall outlet. The display screen will light up.
6. **Initial Calibration:** The device may perform an initial calibration cycle upon first power-on. Allow it to complete this process.

## OPERATING INSTRUCTIONS

### Control Panel Overview

The control panel features a display and two main buttons:

- **Left Button:** Short press to switch the machine on/off. Long press to connect to Wi-Fi.
- **Right Button:** Short press to start a manual cleaning cycle. Long press to adjust the delayed cleaning time.



Figure 7: Control panel and key features for operation.

### **Automatic Cleaning Cycle**

The S6 litter box automatically detects when your cat uses it. After a set delay (adjustable via the app or long press of the right button), the cleaning rake will sweep waste into the enclosed collection bucket. The rake uses a panning motion to minimize staining of the interior.

The device operates quietly and effectively manages odors, contributing to a fresh home environment.



Figure 8: The S6 litter box in a home environment, highlighting its quiet and odor-free operation.

## Mobile App Features (2.4G WIFI)

Connect your S6 litter box to the dedicated mobile app via 2.4G Wi-Fi for enhanced control and monitoring:

- **One-click cleanup:** Initiate a cleaning cycle remotely.
- **Delayed cleanup settings:** Customize the delay time before cleaning begins after your cat exits.
- **Hibernation time:** Set specific periods (e.g., night time) when the litter box pauses operation to avoid disturbance.
- **Health management:** Track your cat's toilet visits and duration for insights into their health.

# 5 Settings of the App, 2.4G WIFI

- Number of toilet visits
- One-key cleaning
- Excretion duration
- Timed sleep
- Delayed cleanup settings



Figure 9: Mobile app interface for controlling and monitoring the S6 litter box.

## Official Product Video

Watch the official product video for a visual guide on the features and operation of the KYKY S6 Self-Cleaning Litter Box.

Your browser does not support the video tag.

Video 1: An official demonstration of the KYKY S6 Self-Cleaning Litter Box, showcasing its automated cleaning process and key functionalities.

## MAINTENANCE

Regular maintenance ensures the longevity and hygienic operation of your litter box.

- Empty Waste Compartment:** Regularly check and empty the waste collection bucket. The 5-liter capacity allows for extended periods between changes, but frequent emptying helps maintain odor control.
- Cleaning:** The litter box is designed for easy disassembly for thorough cleaning.

- Unplug the device before cleaning.
- Remove the sand box, cleaning rake, and collection bucket.
- Wash these components with mild soap and water. Rinse thoroughly and ensure they are completely dry before reassembling.
- Wipe down the main unit with a damp cloth. Do not use abrasive cleaners or immerse the unit.

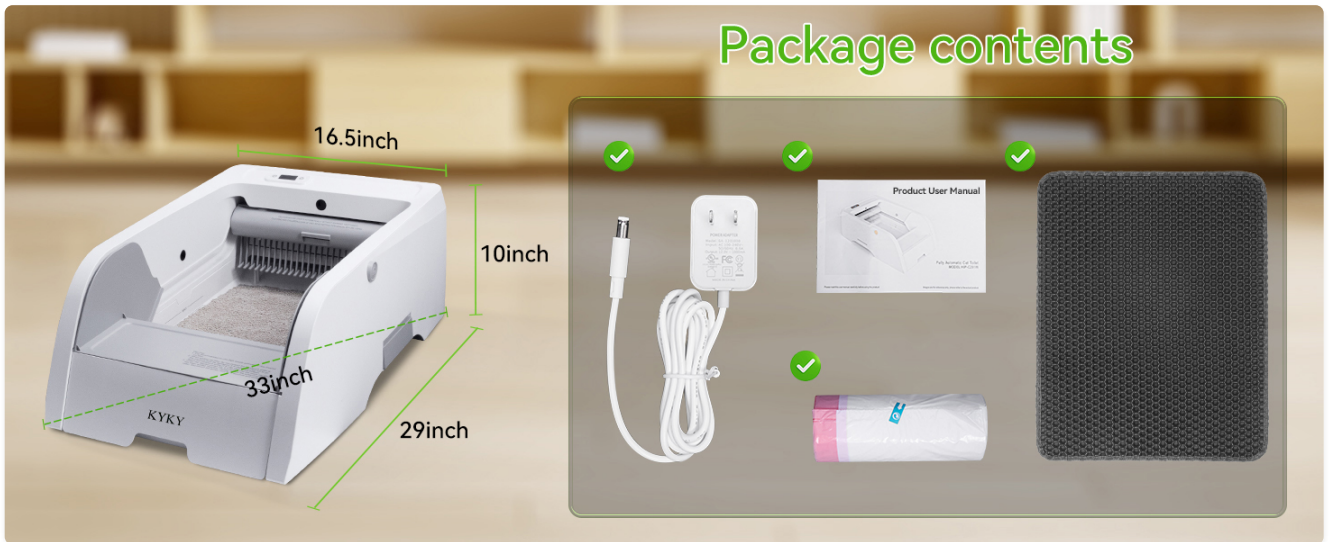


Figure 10: Disassembly steps for easy and thorough cleaning.

- Litter Level:** Maintain the recommended litter level between the MIN and MAX lines to ensure efficient cleaning and prevent wear on the mechanism.

## TROUBLESHOOTING

Problem	Possible Cause	Solution
Device not powering on.	Power cord not connected; power outlet issue; device off.	Ensure power cord is securely plugged in. Test outlet with another device. Short press the left button to turn on.
Cleaning rake not moving.	Obstruction; litter level too high/low; cat detected by sensor.	Check for obstructions and remove. Adjust litter level. Ensure no cat is in the box.
Odor persists.	Waste compartment full; improper litter type; infrequent cleaning.	Empty waste compartment. Ensure you are using recommended clumping litter. Clean the unit regularly.
App connectivity issues.	Incorrect Wi-Fi password; 5G Wi-Fi network; weak signal.	Ensure correct 2.4G Wi-Fi network is selected. Check password. Move device closer to router.
Litter tracking outside the box.	Cat exiting quickly; litter type.	Ensure the included litter mat is in place. Consider a different litter type that tracks less.

## SPECIFICATIONS

- **Model:** HIP-C201W
- **Brand:** KYKY
- **Dimensions (L x W x H):** 28" x 17.5" x 9.2"
- **Item Weight:** 17.5 pounds

- **Waste Compartment Capacity:** 5 Liters
- **Compatible Litter Type:** Clumping cat litter (Bentonite, Mineral, Raw Bentonite, Sodium-based Mineral)
- **Connectivity:** 2.4G Wi-Fi for app control
- **Safety Features:** Anti-pinch mechanism, Infrared sensors
- **Material:** Polyester (likely referring to the waste bags or internal components, as the main unit is typically plastic)
- **Color:** Grey
- **Manufacturer:** KYKY
- **Country of Origin:** China

## WARRANTY & SUPPORT

---

For warranty information and customer support, please refer to the contact details provided on the product packaging or visit the official KYKY website. Each item is verified by Transparency with a unique code before shipping.

**Online Support:** [Visit the KYKY Store on Amazon](#)