



Manuals.plus /

- › APPASO /
- › APPASO APS3004MB Kitchen Faucet with Water Filter Instruction Manual

## APPASO APS3004MB

# APPASO APS3004MB Kitchen Faucet with Water Filter Instruction Manual

Model: APS3004MB | Brand: APPASO

## INTRODUCTION

---

This manual provides detailed instructions for the installation, operation, maintenance, and troubleshooting of your APPASO APS3004MB Kitchen Faucet. This 3-in-1 faucet is designed to provide hot, cold, and filtered (RO) water through a single, convenient unit, featuring a pull-down sprayer and durable stainless steel construction. Please read all instructions carefully before installation and use.

# The Certified Core

Where Premium Components Meet Flawless Performance

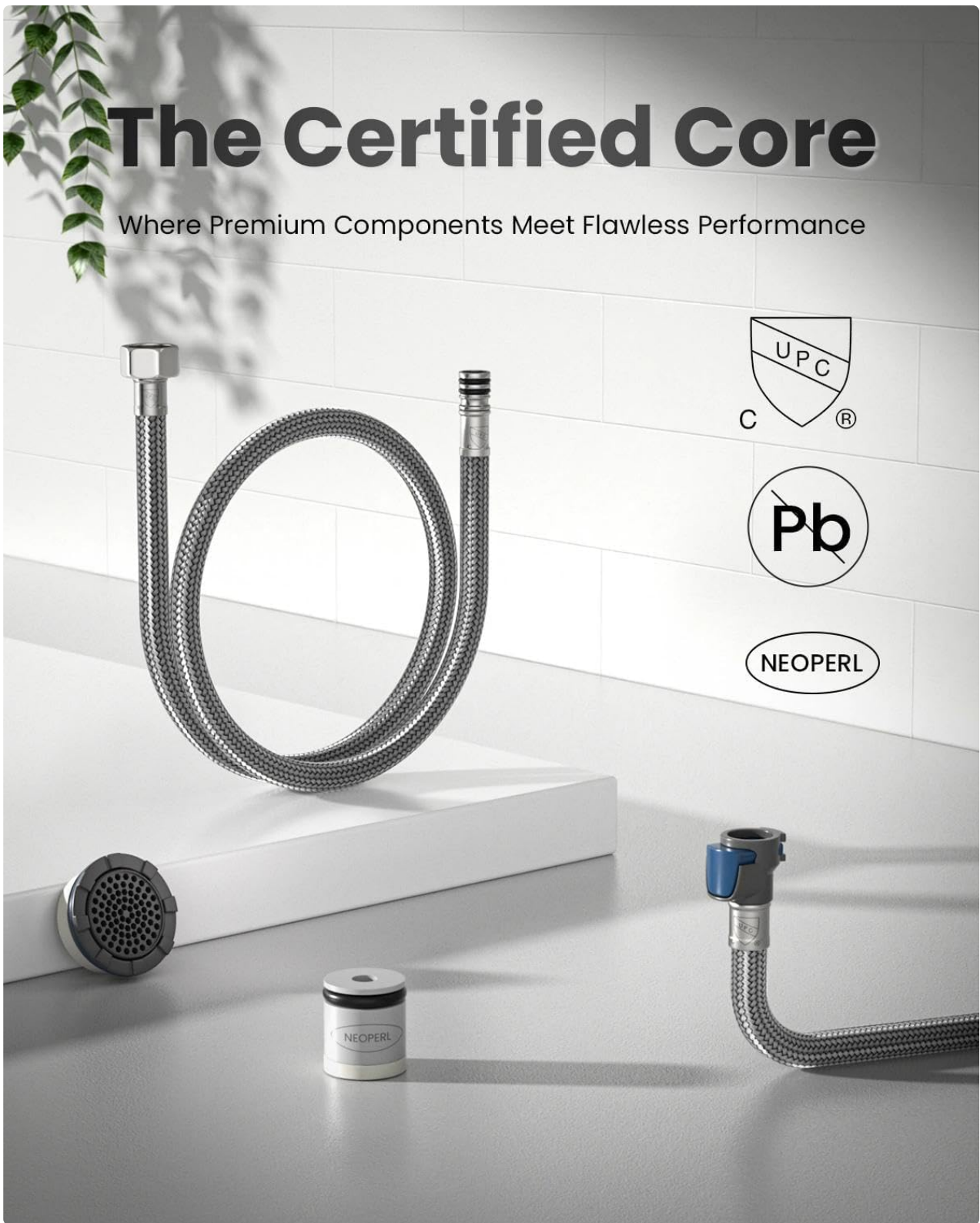


Image: The APPASO APS3004MB Kitchen Faucet in matte black finish, showcasing its high-arc design and pull-down sprayer.

## PRODUCT FEATURES

- **3-in-1 Water Function:** Delivers standard hot and cold water, plus filtered (RO) water from a dedicated spout.
- **3-Function Pull-Down Sprayer:** Easily switch between stream, spray, and pause modes for versatile cleaning.

- **Durable Construction:** Made from thickened SUS304 stainless steel for anti-rust and corrosion resistance.
- **Drip-Free Ceramic Valve:** Tested for over 550,000 cycles to ensure long-lasting, leak-free performance.
- **360° Swivel Spout:** Provides full sink access and flexibility for various kitchen tasks.
- **CUPC-Certified Hoses:** Ensures healthy water delivery with certified components.
- **PEX Inner Hose:** Food-grade PEX material for safe and healthy water.
- **Easy to Clean:** Matte black finish is resistant to fingerprints and easy to wipe clean.



Image: Visual representation of the faucet's stream and spray modes.

## PACKAGE CONTENTS

---

Verify that all components are present before beginning installation:

- Main Faucet Body with Pull-Down Sprayer
- Hot & Cold Water Supply Hoses (CUPC-Certified)
- Filtered Water Supply Connection (1/4 inch OD and 3/8 inch OD options)
- Mounting Hardware (Nut, Washer, Gasket)
- Deck Plate (Optional for 3-hole sinks)
- Weight for Pull-Down Hose
- Quick Fitting for Drinking Water Tube
- Instruction Manual (this document)

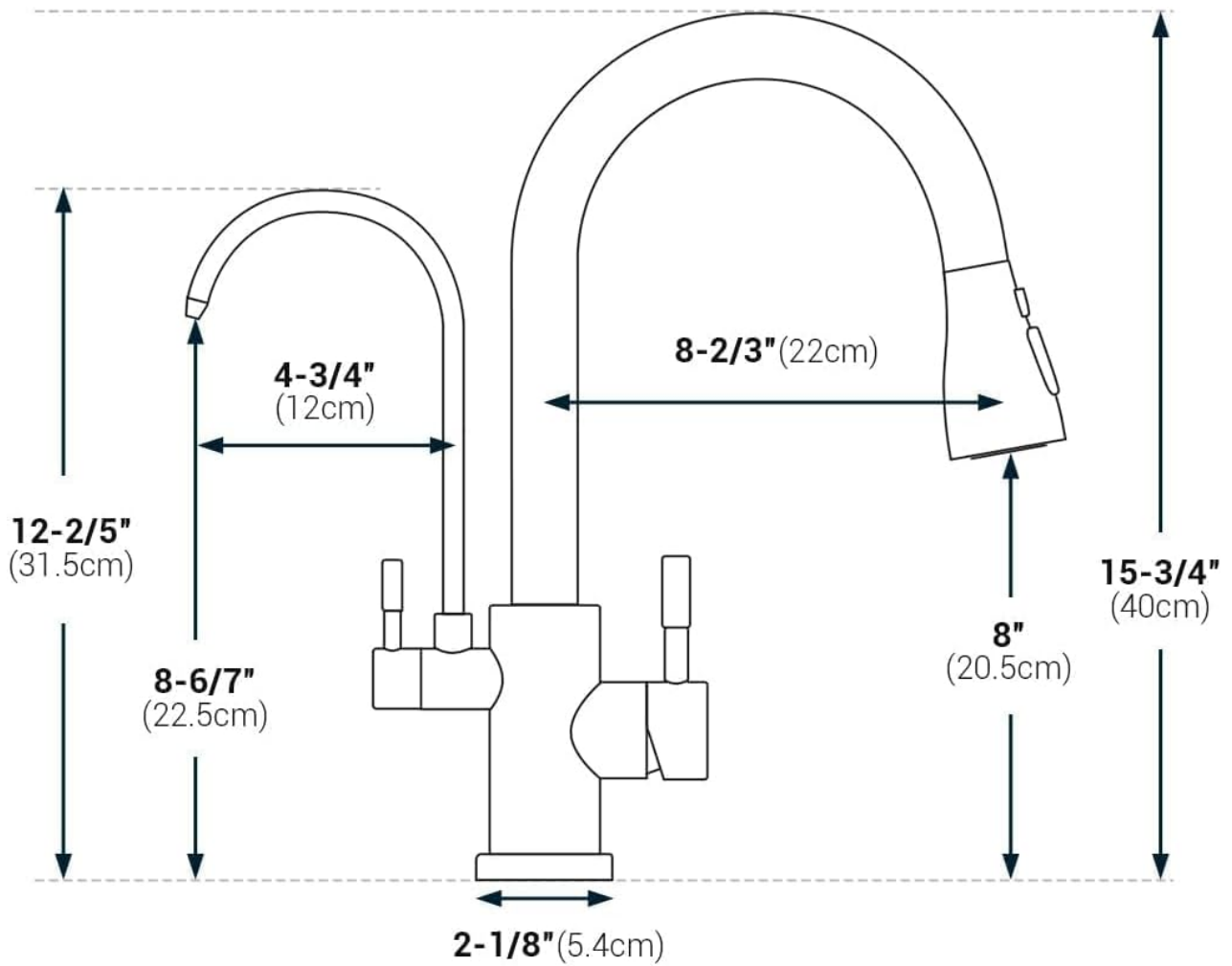
# PACKAGES



Image: All parts of the APPASO Kitchen Faucet laid out, including the main body, hoses, and mounting hardware.

## SPECIFICATIONS

<b>Attribute</b>	<b>Detail</b>
Brand	APPASO
Model Name	APS3004MB
Finish Type	Matte Black
Material	Stainless Steel (SUS304)
Mounting Type	Deck Mount
Hole Count	1 (Deck Plate included for 3-hole sinks)
Number of Handles	2 (One for hot/cold, one for filtered water)
Spout Height	8 Inches
Spout Reach	8 Inches
Maximum Flow Rate	1.8 Gallons Per Minute
Special Features	360 Swivel, Built-In Water Filter Function, Leak Resistant, Pull Down Sprayer



M10X1



$23\frac{3}{5}"$   
(60cm)

G  $\frac{3}{8}"$

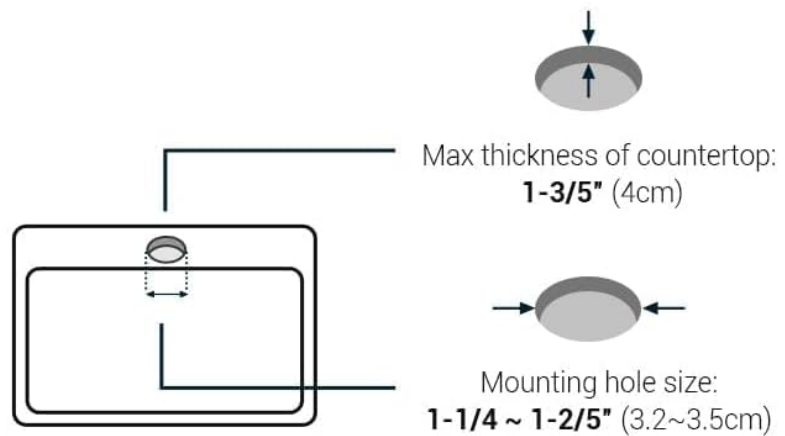


Image: Technical drawing with key dimensions for installation.

## INSTALLATION NOTES

1. Ensure all local plumbing codes are met.
2. Turn off the main water supply before starting installation.

3. Clear the area under the sink for easy access.
4. Flush the water supply lines before connecting the faucet to remove any debris.
5. Confirm the countertop thickness is between 1-3/5 inches (4cm) and the mounting hole size is 1-1/4 to 1-2/5 inches (3.2-3.5cm).
6. If using a reverse osmosis (RO) system, ensure it is compatible and properly installed (RO filtration device not included).



Image: Diagram illustrating the connection points for hot, cold, and pure water lines.

## SETUP (INSTALLATION STEPS)

Follow these steps for proper installation:

1. **Prepare the Mounting Hole:** If replacing an old faucet, remove it. Clean the mounting surface. If your sink has multiple holes, use the included deck plate to cover unused holes.
2. **Install the Faucet Body:** Insert the main faucet body into the mounting hole from above the sink. Ensure the rubber gasket is correctly positioned between the faucet base and the sink surface.
3. **Secure the Faucet:** From underneath the sink, slide the metal washer and mounting nut onto the threaded shank of the faucet. Tighten the nut securely using a basin wrench, ensuring the faucet is aligned correctly.
4. **Connect Water Supply Lines:**
  - Connect the hot water supply hose (red marking) to your hot water stop valve.
  - Connect the cold water supply hose (blue marking) to your cold water stop valve.
  - Connect the filtered water supply line to your RO system's output using the quick fitting.
5. **Install the Pull-Down Hose Weight:** Attach the weight to the pull-down sprayer hose, typically about 6-8 inches from the bottom of the faucet body, to ensure smooth retraction.
6. **Test for Leaks:** Turn on the main water supply slowly and check all connections for leaks. Operate the faucet in all modes to ensure proper function.

Your browser does not support the video tag.

Video: A demonstration of the faucet installation process, highlighting key connection points and steps.

## OPERATING INSTRUCTIONS

Your APPASO Kitchen Faucet offers versatile water delivery options:

- **Standard Hot & Cold Water:** Use the main handle on the right to control water flow and temperature. Lift the handle for water, move left for hot, and right for cold.
- **Filtered (RO) Water:** Use the smaller handle on the left to activate the filtered water flow. This water is delivered through a separate internal channel and spout.
- **Pull-Down Sprayer Functions:**
  - Pull down the sprayer head from the main spout.
  - Press the button on the sprayer head to switch between **Stream** (aerated flow) and **Spray** (powerful rinse) modes.
  - Some models may include a pause button to temporarily stop water flow directly from the sprayer.
- **360° Swivel:** The main spout and the filtered water spout can rotate 360 degrees independently, providing maximum flexibility.



Image: The faucet demonstrating its drinking water function and 360-degree rotatable design.

Your browser does not support the video tag.

Video: A demonstration of the faucet's operation, including hot/cold and sprayer functions.

## MAINTENANCE

Proper care will ensure the longevity and appearance of your faucet:

- **Regular Cleaning:** Clean the faucet regularly with a soft, damp cloth and mild soap. Avoid abrasive cleaners, harsh chemicals, or scouring pads, as these can damage the matte black finish.
- **Aerator Maintenance:** If water flow decreases or becomes irregular, unscrew the aerator from the tip of the spout and clean any mineral deposits or debris. Rinse thoroughly and reattach.
- **Drip-Free Valve:** The ceramic disc valve is designed for long-term, drip-free performance. If a drip occurs, contact customer support for assistance.
- **Hose Care:** Ensure the pull-down hose moves freely and is not obstructed by items under the sink.



Image: Cross-section diagram of the drip-free ceramic valve, highlighting its robust construction.

## TROUBLESHOOTING

Problem	Possible Cause	Solution
Low Water Flow	Clogged aerator; partially closed stop valve; debris in supply line.	Clean aerator; fully open stop valves; flush supply lines.
Leaking from Spout	Worn ceramic cartridge; loose connections.	Ensure connections are tight; contact support for cartridge replacement.
Sprayer Not Retracting	Weight on hose is misplaced or obstructed.	Adjust the hose weight position; clear any obstructions under the sink.
Filtered Water Not Flowing	RO system issues; filtered water stop valve closed.	Check your RO system; ensure filtered water stop valve is open.

## WARRANTY AND SUPPORT

APPASO products are manufactured to the highest quality standards and are backed by a limited lifetime warranty. This warranty covers defects in material and manufacturing under normal use. For warranty claims, technical support, or replacement parts, please contact APPASO customer service.

Please retain your proof of purchase for warranty validation.

For further assistance, visit the APPASO Store on Amazon.

