

RUITHOE R-SLT-001H-N

RUITHOE Flat Handle Brushed Nickel Waterfall Vessel Sink Faucet Instruction Manual

Model: R-SLT-001H-N

1. INTRODUCTION

Thank you for choosing the RUITHOE Flat Handle Brushed Nickel Waterfall Vessel Sink Faucet. This manual provides essential information for the safe installation, proper operation, and effective maintenance of your new faucet. Please read these instructions thoroughly before beginning installation and retain them for future reference.

2. SAFETY INFORMATION

- Always turn off the main water supply before installing or performing any maintenance on the faucet.
- Wear appropriate personal protective equipment, such as safety glasses and gloves, during installation.
- Ensure all connections are secure to prevent leaks. Do not overtighten.
- If you are unsure about any part of the installation process, consult a qualified plumber.
- Keep small parts away from children.

3. PACKAGE CONTENTS

Verify that all components are present before beginning installation:

- Vessel Faucet Body
- 2 Pcs Supply Lines (24 Inches)
- Pop Up Drain
- Installation Hardware (Nuts, Gaskets)

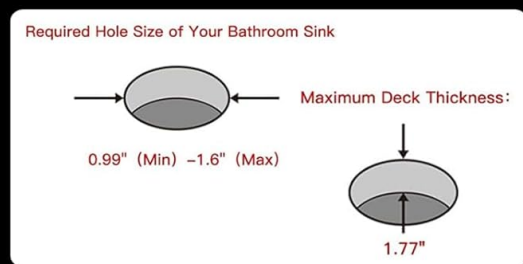
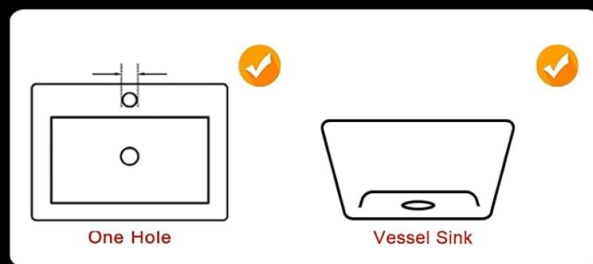
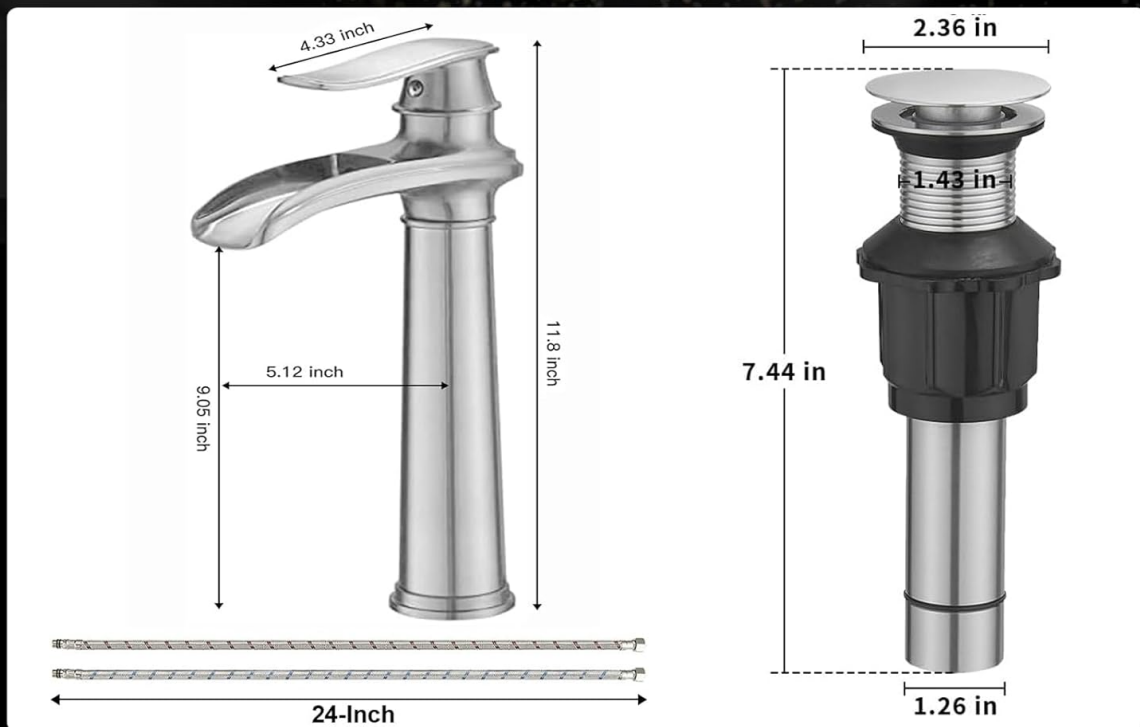


This image displays the complete RUITHOE Flat Handle Brushed Nickel Waterfall Vessel Sink Faucet package, including the faucet, pop-up drain, and two flexible supply lines.

4. SPECIFICATIONS

Brand	RUITHOE
Model Name	Brushed Nickel Waterfall Vessel Sink Faucet
Model Number	R-SLT-001H-N
Finish Type	Brushed Nickel
Material	Brass
Mounting Type	Deck Mount
Number of Handles	1
Hole Count	1
Spout Height	8.66 Inches
Spout Reach	5.51 Inches
Maximum Flow Rate	1.17 Gallons Per Minute
Special Features	Lead Free, Pop Up Drain, Water Saving System

PRODUCT SIZE



A technical diagram providing precise measurements for the faucet and pop-up drain, including the necessary sink hole diameter and maximum deck thickness for installation.

5. INSTALLATION INSTRUCTIONS

5.1 Before You Begin

- Ensure your sink has a single faucet hole (1.26 to 1.77 inches diameter) and the deck thickness is between 0.99 and 1.6 inches.
- Gather necessary tools: adjustable wrench, screwdriver, plumber's tape (optional).
- Turn off the main water supply to your bathroom.

5.2 Step-by-Step Faucet Installation

1. **Prepare the Faucet:** Insert the hot and cold water supply lines through the bottom of the faucet body. Ensure the rubber gasket is correctly seated at the base of the faucet.

Connect hot& cold hose



This image illustrates the initial step of connecting the hot and cold water supply hoses to the base of the faucet.

2. **Mount the Faucet:** Place the faucet through the hole in your sink or countertop. From underneath the sink, slide the metal washer and then the fixing nut onto the threaded shank of the faucet.

Connect nuts& gasket



This image demonstrates how to properly place the rubber gasket and fixing nut onto the supply lines before securing the faucet.

3. **Secure the Faucet:** Hand-tighten the fixing nut, then use a basin wrench or adjustable wrench to firmly secure the faucet to the sink. Do not overtighten.

Screw on the fixings



This image shows the process of tightening the fixing nut from beneath the sink to firmly secure the faucet to the countertop.

4. **Connect Water Supply Lines:** Connect the hot and cold supply lines to the corresponding hot and cold water shut-off valves. Use plumber's tape on the threads for a watertight seal if desired. Tighten with an adjustable wrench.

Connect water outlet



This image illustrates the final plumbing connection, showing how to attach the faucet's supply lines to the hot (red) and cold (blue) water shut-off valves.

5. **Install Pop-Up Drain:** Follow the separate instructions provided with the pop-up drain for proper installation into your sink. Ensure all gaskets are correctly placed for a leak-free seal.



This image breaks down the components of the included pop-up drain, detailing its brushed nickel finish, double elasticity gasket for a tight seal, tool-less fixing nut, and durable thickened PP pipe body.

6. **Test for Leaks:** Once all connections are made, slowly turn on the main water supply. Check all connections for any signs of leaks. Tighten connections as needed.

5.3 Installation Videos



How to Install a Waterfall Faucet: This video provides a visual guide on how to install a waterfall-style bathroom faucet, covering key steps from mounting to connecting water lines.



How to Install Bathroom Sink Faucet: A step-by-step video tutorial detailing the installation of a standard bathroom sink faucet, including securing the faucet and connecting the water supply.

6. OPERATING INSTRUCTIONS

The RUIHOO Waterfall Vessel Sink Faucet features a single handle for easy control of water flow and

temperature.

- **Turning On/Off:** Lift the handle upwards to turn on the water. Push the handle downwards to turn off the water.
- **Adjusting Water Flow:** The further you lift the handle, the greater the water flow.
- **Adjusting Temperature:** Move the handle to the left for hot water and to the right for cold water. The middle position provides mixed water.
- **Waterfall Spout:** The unique waterfall design provides a gentle, wide stream of water.



An image showing the single handle operation of the faucet, indicating how to adjust water temperature and flow with ease.



This image displays the complete RUIHOO Flat Handle Brushed Nickel Waterfall Vessel Sink Faucet package, including the faucet, pop-up drain, and two flexible supply lines.

7. MAINTENANCE AND CARE

Proper care will ensure the longevity and appearance of your RUIHOO faucet.

- **Cleaning the Finish:** Clean the brushed nickel finish regularly with a soft, damp cloth. Avoid abrasive cleaners, harsh chemicals, or scouring pads, as these can damage the finish.
- **Preventing Water Spots:** The faucet features a plating layer designed to prevent fingerprints. To minimize water spots, especially in areas with hard water, wipe the spout and handle dry after each use. This also helps prevent mineral buildup in the waterfall spout.

Plating Layer Prevents Fingerprints



This image illustrates the brushed nickel finish of the faucet, designed to resist fingerprints and maintain a clean appearance.

- **Drip-Free Performance:** The faucet is equipped with drip-free ceramic spools. If you notice any dripping, ensure the handle is fully closed. Persistent dripping may indicate a need for cartridge inspection or replacement.

RUITHOE®



Waterfall Type Spout
Quiet and Beautiful



Drip-Free Ceramic Spools



Complete Accessories
Made Of Solid Brass

A detailed view of the faucet, emphasizing its waterfall spout design, internal drip-free ceramic spools, and the quality of its solid brass components.

8. TROUBLESHOOTING

If you encounter any issues with your faucet, refer to the following common problems and solutions:

Problem	Possible Cause	Solution
Water leaks from the base of the faucet	Loose mounting nut or improperly seated gasket.	Ensure the mounting nut under the sink is tight and the rubber gasket at the faucet base is correctly positioned.
Water leaks from the handle or spout	Worn ceramic cartridge or loose connections.	Check the ceramic cartridge for damage and replace if necessary. Ensure all internal connections are secure.
Low water flow	Clogged aerator (if applicable) or partially closed shut-off valves.	Check that both hot and cold water shut-off valves are fully open. Clean any debris from the spout opening.
No hot or cold water	Shut-off valve is closed or supply line is kinked.	Verify that the corresponding hot or cold water shut-off valve is fully open. Check supply lines for kinks.

9. WARRANTY AND SUPPORT

The RUIHOE Flat Handle Brushed Nickel Waterfall Vessel Sink Faucet comes with a **lifetime warranty**, ensuring peace of mind regarding its quality and durability.

For technical assistance, warranty claims, or any other inquiries, please contact RUIHOE customer support. You can find contact information on the official RUIHOE website or through your purchase platform.



RUIHOE Bathroom Vessel Sink Faucet: This video provides a general overview of the RUIHOE Bathroom Vessel Sink Faucet, showcasing its design and functionality.