



[Manuals.plus](#) /

> [atgestore](#) /

> atgestore KIP 7T08 W11517331 Stainless Steel Stove Knobs Instruction Manual

atgestore KIP 7T08, W11517331

Instruction Manual for atgestore KIP 7T08 W11517331 Stainless Steel Stove Knobs

Brand: atgestore | Model: KIP 7T08, W11517331

1. INTRODUCTION

This manual provides comprehensive instructions for the installation, operation, and maintenance of your atgestore KIP 7T08 W11517331 Stainless Steel Stove Knobs. These replacement knobs are designed for various Whirlpool electric oven range and cooktop burner models, offering enhanced durability and ease of use. Please read this manual thoroughly before installation to ensure proper fit and function.

2. PRODUCT FEATURES

- **Durable Stainless Steel Construction:** Manufactured from 100% upgraded premium stainless steel, these knobs are designed to be stronger and more sturdy than standard alternatives, resisting deformation, rust, and corrosion for extended longevity.
- **Precise Dimensions:** Features a "D" ring size of 0.18" / 0.25", ensuring compatibility with specified stove models. The overall diameter of the circle is 1.92 inches, and the product height is 1.5 inches.
- **Heat and Corrosion Resistant:** Engineered to withstand high temperatures and corrosive environments typical of kitchen appliances, contributing to a longer service life.
- **Easy Installation:** Designed for tool-free installation, allowing for quick replacement of existing knobs.
- **Package Contents:** Each package includes 4 pieces of stainless steel stove knobs.

UPGRADED STOVE CONTROL KNOBS



▶ Upgrade Premium Stainless Steel



▶ 'D-ring' Stable & Strong Toughness



▶ Heat & Corrosion Resistant

Figure 2.1: Upgraded Stove Control Knobs. This image illustrates the key features of the knobs, including their premium stainless steel construction, stable D-ring design, and resistance to heat and corrosion.

5 *PRODUCT* ADVANTAGES



Easy to install



Heat-resistant



High toughness



Long service life



Corrosion resistant



Figure 2.2: Product Advantages. This graphic visually represents the five main benefits of the stove knobs: ease of installation, heat resistance, high toughness, long service life, and corrosion resistance.

3. COMPATIBILITY

These stove knobs are compatible with various Whirlpool stove models and part numbers. It is crucial to verify your stove's model number and the dimensions of your existing knobs before purchasing to ensure proper fit.

Compatible Part Numbers:

- W11517331
- KIP 7T08

Known Compatible Models:

- YWEE745H0FS0
- YWEE745H0FS1
- WEE745H0FS2

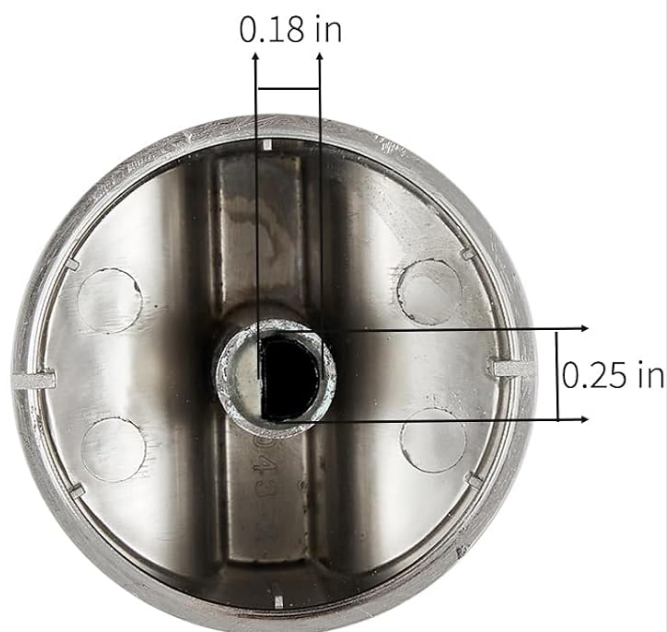
- WEE745H0FE1
- W11117415 (as part of W11517331 compatibility)

For a comprehensive list of compatible models, please refer to the product listing or consult your appliance's documentation. Always compare the "D" ring size (0.18" / 0.25") and overall knob dimensions with your current knobs.

W11517331 KIP 7T08 RANGE KNOB SIZE



- ▶ Diameter of the circle : 1.92"
- ▶ Product height : 1.5"
- ▶ "D" ring size : 0.25"/0.18"



- ▶ Please check and compare the dimensions of your **W11517331** whirlpool oven knobs and look for the whirlpool stove model number of your stove before place the order.

Figure 3.1: Knob Dimensions. This diagram provides critical measurements for the stove knobs, including the overall diameter, height, and the specific "D" ring dimensions, essential for verifying compatibility.

4. INSTALLATION

Installing the atgestore replacement stove knobs is a straightforward process that requires no special tools. Follow these steps for a quick and secure installation:

1. **Preparation:** Ensure your stove is turned off and cooled down before beginning the installation.
2. **Remove Old Knobs:** Gently pull the old knob straight off its post. It should detach with minimal effort.
3. **Align New Knob:** Take one of the new atgestore stove knobs. Observe the "D" shaped hole on the back of the knob.
4. **Install New Knob:** Align the "D" shaped hole of the new knob with the "D" shaped post on your stove. Push the knob firmly onto the post until it is securely seated.

5. **Verify Orientation:** Ensure the knob is oriented correctly, with the indicator line pointing upwards or as desired for proper function.

Repeat the process for all knobs you wish to replace. Always double-check the orientation of the hole on the back of the knob to match your stove's post before pushing it on.

EASY FOR INSTALLATION



Figure 4.1: Easy Installation Steps. This image demonstrates the simple, tool-free installation of the replacement knobs, emphasizing the alignment of the D-shaped hole with the stove's post.

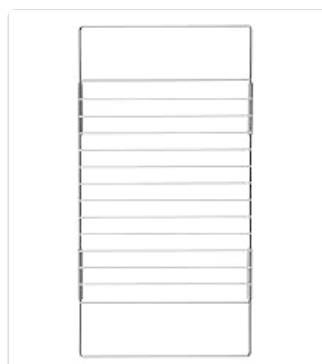


Figure 4.2: Knobs Installed on Stove. This image provides a visual reference of how the replacement knobs appear once correctly installed

on a stove.

Your browser does not support the video tag.

Video 4.1: KIP 7T08 W11517331 Stove Knobs Replacement for Whirlpool Stove. This video demonstrates the physical appearance and rotation of the stove knobs, providing a visual guide to their design and function.

5. OPERATION

Once installed, the atgestore stove knobs function identically to your original appliance knobs. Simply push in and turn the knob to control the burner or oven settings as you normally would. The clear indicator line on the knob's surface helps in precise setting selection.

6. MAINTENANCE

To ensure the longevity and appearance of your stainless steel stove knobs, follow these simple maintenance guidelines:

- **Cleaning:** Wipe the knobs regularly with a soft, damp cloth and mild soap. Avoid abrasive cleaners or scouring pads, which can scratch the stainless steel finish.
- **Drying:** After cleaning, dry the knobs thoroughly with a clean, soft cloth to prevent water spots.
- **Avoid Harsh Chemicals:** Do not use harsh chemicals or solvents, as these can damage the knob's finish or internal components.
- **Regular Inspection:** Periodically check that the knobs are securely seated on their posts. If a knob feels loose, remove it and re-install it firmly.

7. TROUBLESHOOTING

If you encounter issues with your replacement stove knobs, consider the following common solutions:

Knob Does Not Fit or Is Loose:

- **Verify Model Number:** Ensure your stove's model number is listed as compatible with W11517331 or KIP 7T08.
- **Check Dimensions:** Compare the "D" ring size (0.18" / 0.25") and overall dimensions of the replacement knob with your original knob and the stove's post. A mismatch in the "D" shape or size is the most common reason for improper fit.
- **Proper Installation:** Re-attempt installation, ensuring the "D" shaped hole on the knob is perfectly aligned with the "D" shaped post on the stove before pushing firmly.

How to Find Your Stove Range Model Number:

Locating your stove's model number is essential for verifying compatibility. Here are common locations where you might find it:

1. Behind the rear control panel.
2. Behind the oven door, on the door frame in front.
3. On the left leg of the appliance.
4. Under the left front surface unit.
5. Centered or on the right side, under the hearth.
6. Inside the drawer of the front frame.



Figure 7.1: Stove Model Number Locations. This diagram highlights six common areas on a stove where the model number label can typically be found, aiding in compatibility verification.

8. SPECIFICATIONS

Specification	Detail
Brand	atgestore
Model Numbers	KIP 7T08, W11517331 (Compatible: YWEE745H0FS0, YWEE745H0FS1)
Material	Stainless Steel
Color	Silver
Product Dimensions (L x W)	1.9" x 1.9"
Product Height	1.5 inches
"D" Ring Size	0.18" / 0.25"
Exterior Finish	Polished Stainless Steel
Item Weight	1 pound (for 4 pieces)
Number of Items	4 pieces
Installation Type	Push Button Lock (D-shaft)
Country of Origin	China

9. WARRANTY AND SUPPORT

For information regarding product warranty, returns, or technical support, please refer to the original purchase documentation or contact atgestore USA directly through their official channels. Details are typically available on the seller's page or the platform where the product was purchased.

The manufacturer, atgestore, has many years of experience in appliance replacement parts. Their goal is to provide high-quality products to enhance your cooking experience.

© 2024 atgestore. All rights reserved.

This manual is for informational purposes only. Always exercise caution when working with appliances.