

## Manuals+

[Q & A](#) | [Deep Search](#) | [Upload](#)

manuals.plus /

› [PATIKIL](#) /

› [PATIKIL Flush Mount Interlocking Bracket User Manual](#)

**PATIKIL pta240527tt002272eu**

# PATIKIL Flush Mount Interlocking Bracket User Manual

Brand: PATIKIL | Model: pta240527tt002272eu

## 1. PRODUCT OVERVIEW

The PATIKIL Flush Mount Interlocking Bracket system is designed to securely fasten objects directly onto a surface, providing a seamless and flush installation. These brackets are ideal for hanging photo frames, displaying artwork, mounting mirrors, securing headboards, and connecting various types of heavy furniture. Constructed from stainless steel with a brushed surface, these brackets offer corrosion resistance, durability, and a comfortable tactile experience with no burrs or sharp edges.

The interlocking design allows for easy assembly and disassembly, making them reusable and convenient for various hanging applications. Once installed, the brackets do not protrude, maintaining a clean aesthetic.



Figure 1: Overview of PATIKIL Flush Mount Interlocking Brackets and included hardware components.

## 2. PRODUCT SPECIFICATIONS

Feature	Specification
Color	Silver
Material	Stainless Steel
Total Dimensions (L*W*H)	54 x 30 x 5 mm (2.13 x 1.18 x 0.2 inches)
Thickness	2 mm (0.08 inches)
Hole Diameter	5 mm (0.2 inches)
Short Side Hole Distance	16 mm (0.63 inches)
Long Side Hole Distance	40 mm (1.57 inches)

Feature	Specification
Each Buckle Side Width	15 mm (0.59 inches)
Rubber Expansion Sleeve (Dia x L)	6 x 30 mm (0.24 x 1.18 inches)
Long Self-Tapping Screw (Dia x L)	4 x 30 mm (0.16 x 1.18 inches)
Short Self-Tapping Screw (Dia x L)	4 x 16 mm (0.16 x 0.63 inches)
Package Contents (per set)	2 Interlocking Buckles, 4 Rubber Expansion Sleeves, 2 Long Screws, 2 Short Screws

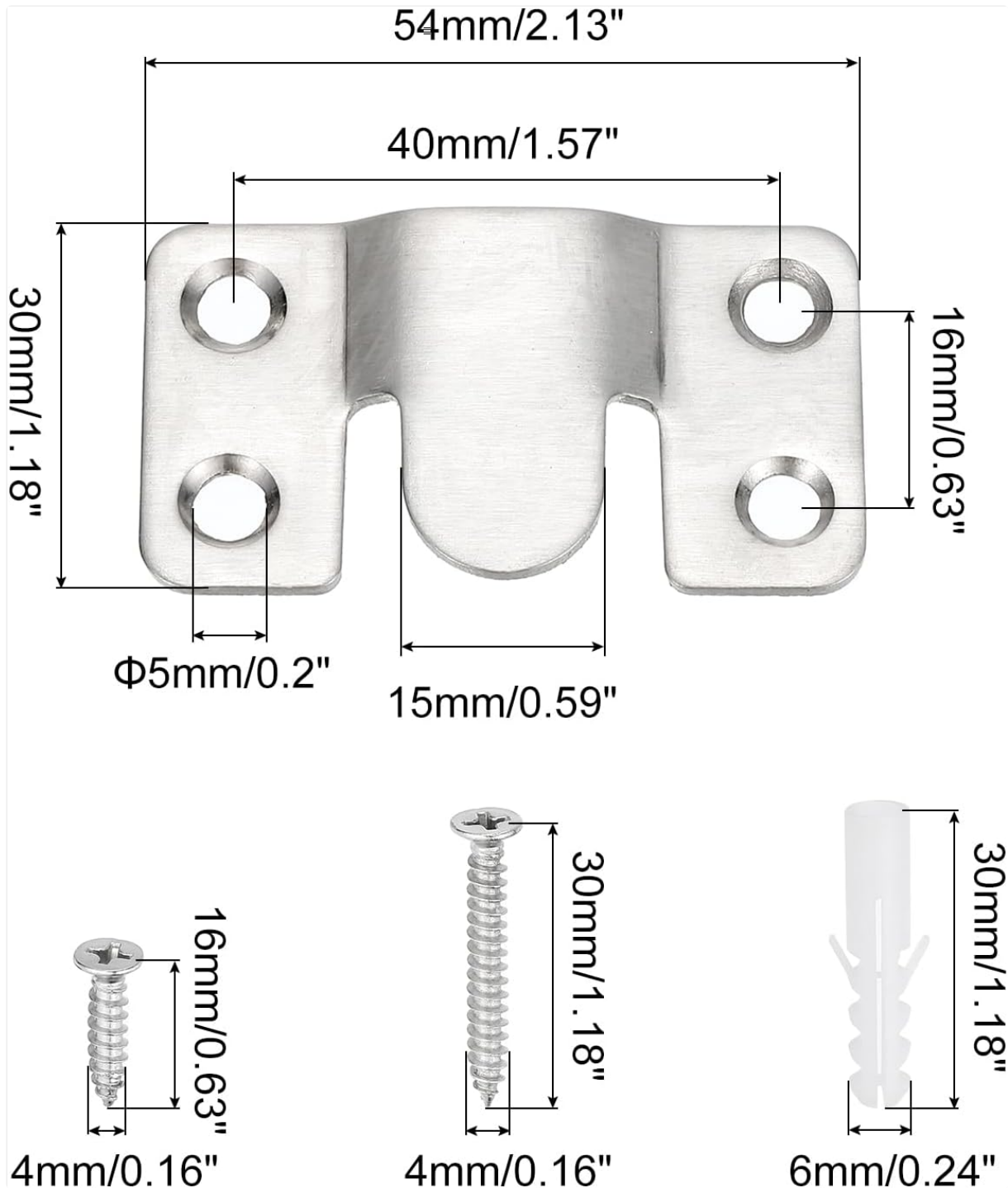


Figure 2: Detailed dimensions of the interlocking bracket and various screws and expansion sleeves.

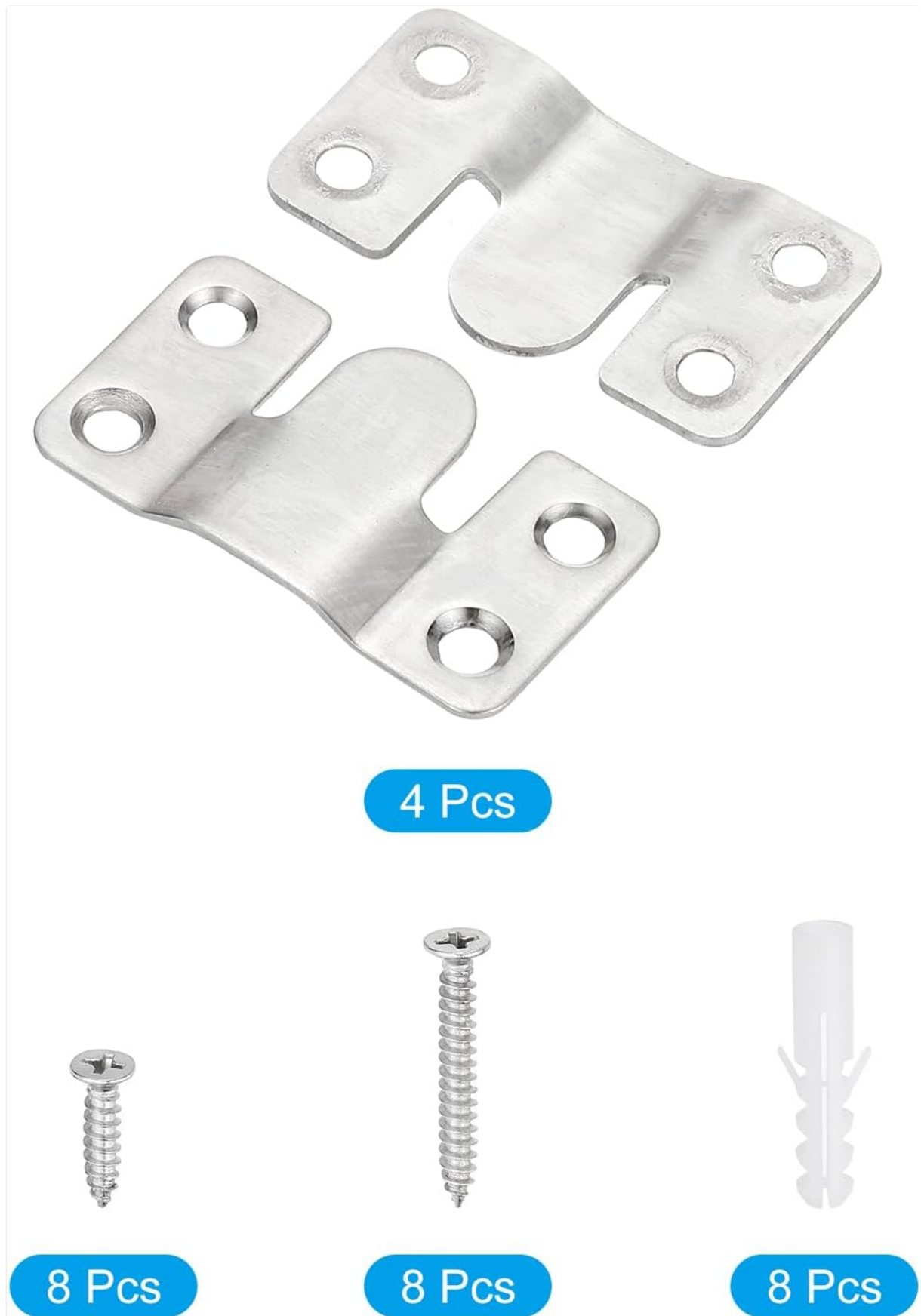


Figure 3: Illustration of the components included in one set of PATIKIL flush mount brackets.

### 3. INSTALLATION INSTRUCTIONS

Follow these steps to properly install your PATIKIL Flush Mount Interlocking Brackets. Ensure you have the necessary tools, such as a screwdriver, drill, and level, before beginning installation.

1. **Prepare the Object:** Identify the object you wish to hang (e.g., picture frame, mirror, headboard).
2. **Attach First Bracket Half:** Using the shorter self-tapping screws (4x16mm), attach one half of the interlocking bracket to the back of your object. Ensure the "bulge" or raised part of the bracket faces downwards. Use a screwdriver to securely fasten the screws.



Figure 4: Step-by-step guide for attaching one part of the bracket to a picture frame using short screws, with the bulge facing down.

3. **Mark Wall Position:** Hold the object against the wall in the desired hanging position. Use a pencil to mark the exact location where the second bracket half will be installed. Use a level to ensure accuracy.
4. **Drill Pilot Holes (if necessary):** Depending on your wall material, you may need to drill pilot holes for the expansion sleeves. Insert the rubber expansion sleeves (6x30mm) into the drilled holes.
5. **Attach Second Bracket Half to Wall:** Using the longer self-tapping screws (4x30mm) and the expansion sleeves, attach the other half of the interlocking bracket to the wall. Ensure the "bulge" or raised part of this bracket faces upwards, allowing it to interlock with the bracket on your object. Use a screwdriver to securely fasten the screws.



Figure 5: Step-by-step guide for attaching the other part of the bracket to the wall using long screws and expansion sleeves, with the bulge facing up.

6. **Interlock the Brackets:** Carefully align the bracket on your object with the bracket on the wall. Lower the object so that the two bracket halves interlock securely.
7. **Verify Security:** Gently pull on the object to ensure it is firmly seated and stable.

#### 4. USAGE AND APPLICATIONS

The PATIKIL Flush Mount Interlocking Brackets are versatile and can be used for a variety of applications where a secure, flush, and easily removable mounting solution is desired. Common uses include:

- Hanging picture frames and artwork
- Mounting mirrors
- Securing headboards to a wall
- Connecting heavy furniture pieces
- Installing wall panels or decorative elements



Figure 6: Examples illustrating various applications of the flush mount interlocking brackets, such as hanging picture frames and shelves.

## 5. MAINTENANCE

These stainless steel brackets require minimal maintenance. To ensure longevity and appearance:

- Periodically inspect the brackets and screws for any signs of loosening or damage. Tighten screws if necessary.
- Clean with a soft, damp cloth if dust or grime accumulates. Avoid abrasive cleaners that could scratch the brushed stainless steel finish.

## 6. SAFETY INFORMATION

Please observe the following safety precautions during installation and use:

- Always wear appropriate personal protective equipment, such as safety glasses, when drilling or using power tools.
- Ensure the wall material is suitable for supporting the weight of the object you intend to hang. Use appropriate wall anchors if installing into drywall or other hollow materials.

- Use a stud finder to locate wall studs if you plan to mount heavy objects directly into wood.
- Verify that all screws are securely fastened before releasing the object.
- Keep small parts (screws, expansion sleeves) out of reach of children to prevent choking hazards.
- If you are unsure about any part of the installation process, consult a qualified professional.

## 7. WARRANTY AND SUPPORT

---

For information regarding warranty, returns, or customer support, please refer to the seller's policy on the platform where the product was purchased or visit the official PATIKIL store page. Specific warranty details are not provided with this manual.

You can visit the PATIKIL store [here](#).