



[Manuals.plus](#) /

> [Beko](#) /

> Beko BDFN36531XC Dishwasher User Manual - 15 Place Settings, 6 Programs

Beko BDFN36531XC

Beko BDFN36531XC Dishwasher User Manual

Model: BDFN36531XC | Brand: Beko

1. INTRODUCTION

This manual provides essential information for the safe and efficient operation, installation, and maintenance of your Beko BDFN36531XC dishwasher. Please read this manual thoroughly before using the appliance to ensure proper function and to prevent potential hazards. Keep this manual for future reference.

2. SAFETY INFORMATION

Always adhere to the following safety guidelines to prevent injury or damage to the appliance.

- **Electrical Safety:** Ensure the dishwasher is connected to a properly grounded outlet with the correct voltage (240 Volts). Do not use extension cords. Disconnect power before any maintenance or cleaning.
- **Water Safety:** Ensure water inlet and outlet hoses are securely connected to prevent leaks. Do not operate the dishwasher if there is visible water leakage.
- **Detergent and Rinse Aid:** Use only detergents and rinse aids specifically designed for automatic dishwashers. Keep these products out of reach of children.
- **Child Safety:** Keep children away from the dishwasher, especially when it is operating or when the door is open. The appliance contains sharp objects and chemical residues.
- **Loading:** Load sharp items (knives, forks) with handles pointing up to minimize the risk of injury. Do not overload the dishwasher.
- **Hot Surfaces:** The interior of the dishwasher can be very hot after a cycle. Allow it to cool before unloading.

3. SETUP AND INSTALLATION

Your Beko BDFN36531XC dishwasher is designed as a freestanding unit. For detailed installation instructions, including precise dimensions and weight, please refer to the separate installation guide provided with your appliance or consult a qualified technician.

3.1 Initial Use

1. **Water Hardness Setting:** Adjust the water softener setting according to your local water hardness. Refer to the installation

guide for details.

2. **Fill Salt Dispenser:** If your model has a salt dispenser, fill it with dishwasher salt.
3. **Fill Rinse Aid Dispenser:** Fill the rinse aid dispenser to ensure optimal drying results and streak-free dishes.
4. **First Wash Cycle:** Run an empty wash cycle with detergent to clean the interior of the appliance before loading dishes.

4. OPERATING INSTRUCTIONS

This section details how to load your dishwasher and select appropriate wash programs.

4.1 Loading the Dishwasher

The BDFN36531XC dishwasher has a capacity of 15 place settings and features flexible loading options.

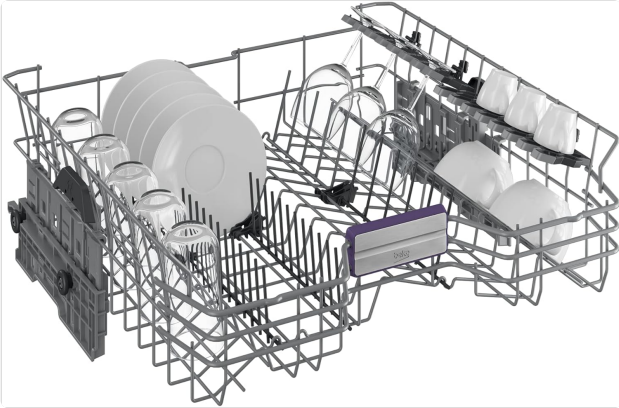


Figure 1: Lower basket loaded with plates and pots. The lower basket features 4 foldable layers for accommodating larger items.

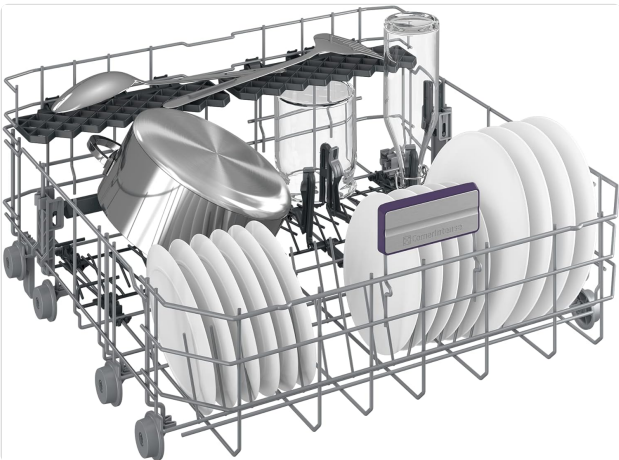


Figure 2: Upper basket loaded with glasses and bowls. The upper basket includes 3 foldable layers and 2 adjustable & SoftTouch cups shelves for versatile loading.



Figure 3: Full separate silverware drawer. This dedicated drawer provides organized space for cutlery, ensuring thorough cleaning.

- **Lower Basket:** Ideal for large items like plates, pots, and pans. Utilize the 4 foldable layers for flexibility.

- **Upper Basket:** Suitable for glasses, cups, and smaller bowls. Features 3 foldable layers and 2 adjustable & SoftTouch cups shelves.
- **Silverware Drawer:** Place forks, spoons, and knives in the dedicated full separate drawer. Ensure items are not nested to allow water circulation.
- Ensure spray arms (3 water sprinklers) are not obstructed by dishes.

4.2 Programs and Functions

The dishwasher features an LED display and touch controls for program selection.

Available Wash Programs

Program	Description
Auto	Automatically detects the soil level and adjusts wash parameters.
Intensive 70°C	For heavily soiled dishes, pots, and pans.
Eco 50°C	Energy-efficient program for normally soiled dishes.
Gentle wash 40°C	For delicate items like glassware.
Quick & Shine	A faster program for daily use with good cleaning and drying results.
Mini	A very short program for lightly soiled dishes that do not require drying.

Additional Functions:

- **Hygiene Intense:** Provides extra hygiene with higher temperatures and longer wash times.
- **SteamGloss:** Enhances drying performance and shine, especially for glass items.
- **DeepWash:** For stubborn dirt and heavily soiled items.
- **TimeDelay:** Allows you to postpone the start of a wash cycle.
- **Fast+ Function:** Reduces program duration for quicker cycles.
- **Key Lock:** Prevents accidental changes to settings during operation.
- **SelfDry (Automatic Door Opening):** The dishwasher door automatically opens after the cycle finishes to improve drying and save energy.
- **Glass Shield:** Protects delicate glassware during washing.
- **Dirt Sensor:** Detects the level of soiling and adjusts the wash cycle accordingly.
- **Active Fan Drying:** Utilizes a fan for enhanced drying performance.

5. MAINTENANCE AND CLEANING

Regular maintenance ensures optimal performance and longevity of your dishwasher.

5.1 Cleaning the Filters

The filter system prevents larger food particles from reaching the pump. Clean the filters regularly.



Figure 4: Dishwasher filter and lower spray arm. Regularly check and clean the filter assembly to maintain wash performance.

1. Twist the cylindrical filter counter-clockwise and lift it out.
2. Remove the fine filter from the bottom of the wash tub.
3. Rinse all filter components under running water to remove food residues. Use a soft brush if necessary.
4. Reassemble the filters in reverse order, ensuring they are securely locked in place.

5.2 Cleaning the Spray Arms

Periodically check the spray arm nozzles for blockages. If blocked, remove the spray arms and clean the holes with a thin object.

5.3 Cleaning the Detergent Dispenser

Ensure the detergent dispenser is clean and dry before adding detergent for each cycle.



Figure 5: Detergent and rinse aid dispenser. Ensure this compartment is clean and filled correctly before each wash cycle.

5.4 Exterior Cleaning

Wipe the exterior surfaces with a soft, damp cloth. Do not use abrasive cleaners or solvents.

6. TROUBLESHOOTING

Before contacting service, review the following common issues and their solutions.

Common Issues and Solutions

Problem	Possible Cause	Solution
Dishwasher does not start	Power supply issue, door not closed properly, program not selected.	Check power connection, ensure door is latched, select a program and press start.
Dishes are not clean	Clogged filters, blocked spray arms, incorrect loading, insufficient detergent.	Clean filters and spray arms, ensure proper loading, use adequate detergent.
Water remaining in the tub	Clogged drain filter, kinked drain hose, drain pump issue.	Clean drain filter, check drain hose for kinks, contact service if pump is faulty.
White streaks on dishes	Too much rinse aid, water hardness setting incorrect.	Reduce rinse aid dosage, adjust water hardness setting.
Dishwasher is noisy	Dishes rattling, foreign object in pump, improper installation.	Rearrange dishes, check for foreign objects, ensure dishwasher is level.

7. SPECIFICATIONS

Technical details for the Beko BDFN36531XC Dishwasher.

- **Model:** BDFN36531XC
- **Capacity:** 15 Place Settings
- **Programs:** 6 (Auto, Intensive 70°C, Eco 50°C, Gentle wash 40°C, Quick & Shine, Mini)
- **Noise Level:** 42 Decibels
- **Energy Efficiency:** A
- **Voltage:** 240 Volts
- **Controls Type:** Touch with LED Display
- **Installation Type:** Freestanding
- **Special Features:** Timer, Hygiene Intense, SteamGloss, DeepWash, TimeDelay, Fast+ Function, Key Lock, SelfDry (Automatic Door Opening), Glass Shield, Dirt Sensor, Active Fan Drying.
- **Dimensions:** Full Size 60 cm width. For precise depth and height, please refer to the official installation manual.

8. WARRANTY AND SUPPORT

Your Beko BDFN36531XC dishwasher comes with a **5 Years Warranty**. For installation services, warranty claims, or technical support, please contact Beko support at **16165**.

You can also visit the official Beko store for more information and product registration:[Beko Official Store](#)