

Manuals+

[Q & A](#) | [Deep Search](#) | [Upload](#)

[manuals.plus](#) /

- › [PHOTOMYNE](#) /
- › [PHOTOMYNE Scan Like a Pro Bundle User Manual](#)

PHOTOMYNE Scan Like a Pro Bundle

PHOTOMYNE Scan Like a Pro Bundle Instruction Manual

Adjustable Overhead Phone Mount & Scanning Pad

1. INTRODUCTION

The PHOTOMYNE Scan Like a Pro Bundle offers a comprehensive solution for digitizing your cherished memories. This bundle combines a stable, adjustable overhead phone mount with a specialized scanning pad, creating an optimal environment for high-quality smartphone scanning of photographs, slides, and negatives. Designed for ease of use, it provides a hands-free and efficient method to preserve your physical media.



Figure 1: PHOTOMYNE Scan Like a Pro Bundle components.

2. WHAT'S INCLUDED

Your PHOTOMYNE Scan Like a Pro Bundle includes the following components:

- Adjustable Overhead Phone Mount
- Scanning Pad (Light Pad)
- USB Power Cable for Light Pad
- Wireless Remote Shutter (for compatible smartphones)



Figure 2: Phone Mount packaging.

3. SETUP

Follow these steps to set up your scanning station:

1. **Attach the Phone Mount:** Secure the strong metal clamp of the adjustable overhead phone mount to the edge of a desk or table. Ensure it is firmly tightened for stability.

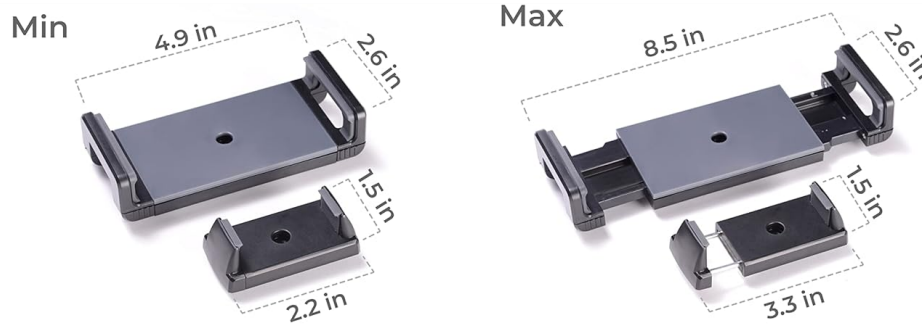


Sturdy and reliable

Photomyne

Figure 3: Securely clamping the phone mount.

2. **Assemble the Phone Holder:** Attach the phone holder to the mount arm. The phone holder is adjustable to fit various smartphone and tablet sizes (Min 4.9 inches, Max 8.5 inches).



Adjustable clasps

(Fits every phone / tablet for scanning)

Photomyne

Figure 4: Adjustable phone holder dimensions.

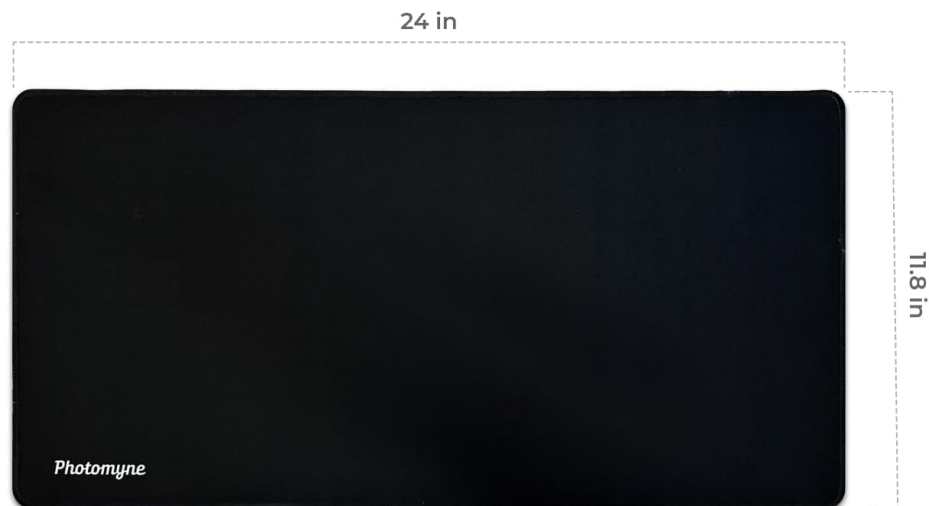
3. **Position the Mount Arm:** Adjust the mount arm to the desired height and angle. The arm is flexible and can be adjusted from 12.6 to 22.2 inches in height, allowing for optimal positioning directly above your scanning area.

Easily **attaches** to tables and other furniture for variable scanning locations



Figure 5: Mount arm adjustability.

4. **Place the Scanning Pad:** Lay the scanning pad (light pad) on a flat surface directly beneath the phone mount. This pad provides an ideal contrast background for scanning. Its dimensions are approximately 11.8 x 24 inches.



11.8 X 24 inch, 2 m"m

Photomyne

Figure 6: Scanning pad dimensions.

5. **Connect the Light Pad:** Plug the USB power cable into the scanning pad and connect it to a USB power source (e.g., computer, wall adapter). The light pad will illuminate, providing a consistent light source for scanning slides and negatives.
6. **Insert Your Smartphone:** Place your smartphone securely into the phone holder, ensuring the camera lens is positioned directly above the center of the scanning pad.

Easily assembled & positioned above scanning station



Figure 7: Assembly overview.

4. OPERATING INSTRUCTIONS

The Photomyne bundle is designed for seamless integration with the Photo Scan by Photomyne app (available separately). For optimal results, it is highly recommended to use this dedicated application.

4.1. Scanning Photos and Documents

1. Place your photos or documents flat on the scanning pad. The non-slip rubber base of the pad helps keep items in place.



Figure 8: Scanning pad with non-slip base.

2. Open the Photo Scan by Photomyne app on your smartphone.
3. Adjust the phone mount arm to ensure the entire photo or document is within the camera's view.
4. Use the app's interface to capture the image. The app often provides guidance for optimal scanning.

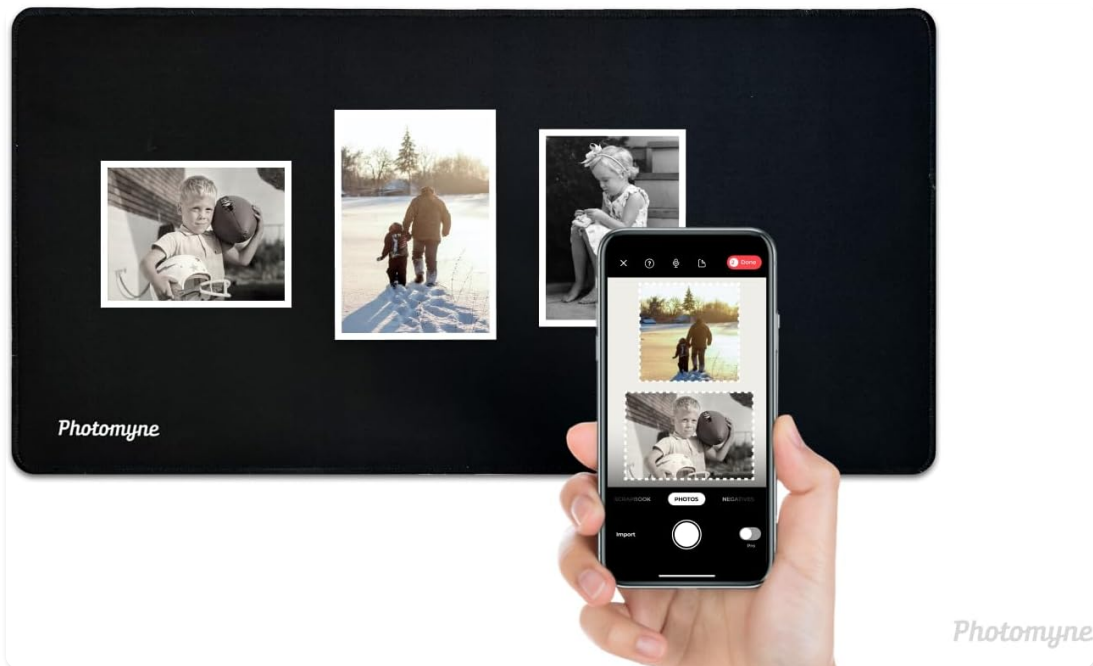


Figure 9: Scanning in progress.

4.2. Scanning Slides and Negatives

For slides and negatives, the light pad provides essential backlighting:

1. Ensure the light pad is powered on and illuminated.
2. Place your slides or negatives directly onto the illuminated surface of the scanning pad.
3. Position your smartphone directly above the slide/negative using the adjustable mount.
4. Utilize the Photo Scan by Photomyne app's specific modes for scanning slides or negatives. The app is designed to handle the unique requirements of these media types, including color rendering and cropping.

4.3. Using the Wireless Remote Shutter

The included wireless remote shutter provides a convenient way to capture scans without touching your phone, minimizing camera shake and ensuring sharper images.

- Pair the remote with your smartphone via Bluetooth (refer to your smartphone's Bluetooth pairing instructions).
- Once paired, press the button on the remote to trigger the camera shutter in the Photo Scan by Photomyne app.

5. MAINTENANCE

To ensure the longevity and optimal performance of your PHOTOMYNE Scan Like a Pro Bundle,

follow these maintenance guidelines:

- **Cleaning:** Wipe the scanning pad and phone mount with a soft, dry, lint-free cloth. For stubborn smudges on the scanning pad, a slightly damp cloth with mild, non-abrasive cleaner can be used, followed by immediate drying.
- **Storage:** When not in use, store the components in a clean, dry place away from direct sunlight and extreme temperatures.
- **Handling:** Avoid dropping the phone mount or placing heavy objects on the scanning pad to prevent damage.

6. TROUBLESHOOTING

If you encounter issues with your PHOTOMYNE Scan Like a Pro Bundle, consider the following:

- **Light Pad Not Illuminating:**
 - Ensure the USB cable is securely connected to both the light pad and a working USB power source.
 - Try a different USB port or power adapter.
- **Blurry Scans:**
 - Verify that your smartphone is securely held by the mount and is not moving during scanning.
 - Ensure the phone's camera lens is clean.
 - Adjust the height of the phone mount to achieve optimal focus.
 - Ensure adequate lighting in the room, in addition to the light pad.
- **Poor Color or Quality:**
 - Ensure the scanning pad surface is clean and free of dust or smudges.
 - Use the Photo Scan by Photomyne app, which includes advanced algorithms for color correction and image enhancement.
 - Check your smartphone's camera settings for resolution and exposure.
- **Wireless Remote Not Connecting:**
 - Ensure Bluetooth is enabled on your smartphone.
 - Re-pair the remote with your smartphone.
 - Check the remote's battery.

7. SPECIFICATIONS

Feature	Detail
---------	--------

Brand	PHOTOMYNE
Compatible Devices	Smartphones
Mounting Type	Mounted (Clamp)
Accessory Connection Type	Clip Holder
Special Feature	Adjustable
Scanning Pad Dimensions	Approx. 11.8 x 24 inches
Phone Holder Min/Max Width	4.9 inches / 8.5 inches
Mount Arm Height Adjustment	12.6 inches - 22.2 inches

8. WARRANTY & SUPPORT

For warranty information and customer support, please refer to the official PHOTOMYNE website or contact their customer service directly. Keep your purchase receipt as proof of purchase.

For assistance with the Photo Scan by Photomyne app, please refer to the app's help section or the Photomyne support resources available online.