



Manuals.plus /

› Lefton /

› Lefton KS2205L 33x22 Inch Stainless Steel Waterfall Kitchen Sink Set Instruction Manual

Lefton KS2205L

Lefton KS2205L 33x22 Inch Stainless Steel Waterfall Kitchen Sink Set

INSTRUCTION MANUAL

Introduction

This manual provides detailed instructions for the installation, operation, and maintenance of your Lefton KS2205L 33x22 inch 304 Stainless Steel Waterfall Kitchen Sink Set. Please read all instructions carefully before beginning installation and retain this manual for future reference. Proper installation and care will ensure optimal performance and longevity of your product.

Package Contents

Verify that all components listed below are included in your package:

- 1 x Kitchen Sink (33"L x 22"W x 10"H)
- 1 x All-in-one Faucet (Pull-down with 3 modes: powerful spray, aerated flow, gentle stream)
- 1 x Glass Rinser (KFR2202)
- 1 x Soap Dispenser (KSD2201)
- 1 x Drain Basket
- 1 x Inside-Basin
- 1 x Drain Cover
- 1 x Strainer
- 1 x Cutting Board
- 1 x Set of Drain Pipe Components



Image: Overview of the Lefton KS2205L kitchen sink set and its included components.

Specifications

| Feature | Specification |
|--------------------------------|---|
| Brand | Lefton |
| Model Number | KS2205L |
| Color | Gray |
| Material | 304 Stainless Steel |
| Product Dimensions (L x W x H) | 33" x 22" x 10" |
| Installation Type | Drop-in or Undermount |
| Faucet Type | Pull-down Waterfall Faucet |
| Special Features | Temperature Display, Integrated Knife Holder, Drain Basket, Inside-Basin, Cutting Board, Glass Rinser, Soap Dispenser |
| Drain Type | Normal |
| Hole Count | 1 |

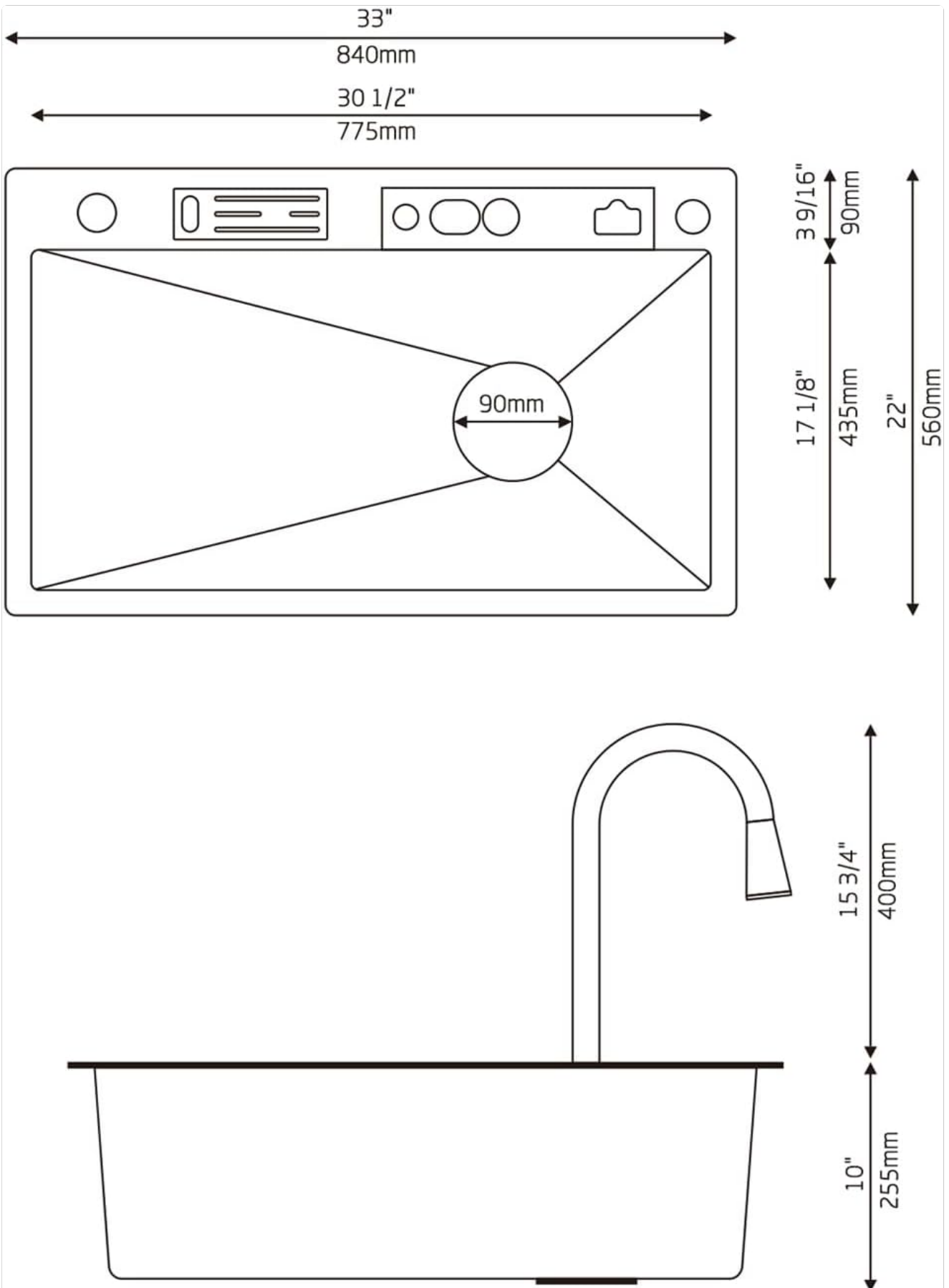


Image: Technical drawing showing the dimensions of the Lefton KS2205L kitchen sink.

Installation

The Lefton KS2205L sink offers versatile installation as either a drop-in or undermount unit. Professional installation is recommended. Ensure all water supply lines are turned off before beginning. Refer to the video below for a visual

guide.

Video: Detailed installation guide for the Lefton KS2205L Kitchen Sink Set.

Step-by-Step Installation Guide:

1. **Unpacking and Inspection:** Carefully unbox all components. Inspect for any damage or missing parts.
2. **Sink Placement:** Position the sink into the countertop opening. For drop-in installation, ensure the edges are flush. For undermount, secure from below.
3. **Sealant Application:** Apply a bead of silicone sealant around the perimeter of the sink's edge where it meets the countertop to ensure a watertight seal.
4. **Faucet Installation:** Insert the faucet into the designated hole on the sink deck. Secure it from underneath the sink using the provided mounting hardware. Connect the hot and cold water supply lines to the faucet.
5. **Temperature Display Connection:** Connect the temperature display unit's wiring and water lines as per the diagram. This unit is powered by water flow and does not require batteries.
6. **Glass Rinser Installation:** Install the glass rinser into its designated opening. Connect its water supply line.
7. **Soap Dispenser Installation:** Insert the soap dispenser into its opening and secure it. Fill the reservoir from the top.
8. **Drain Assembly:** Install the main drain and strainer into the sink basin. Ensure all gaskets and seals are correctly placed to prevent leaks.
9. **Drain Pipe Connection:** Connect the flexible drain pipe components to the main drain and the wall drain. Ensure all connections are tight and sealed.
10. **Water Supply Connection:** Connect the faucet's hot and cold water lines to your home's hot and cold water supply valves. Use an adjustable wrench to tighten connections, but do not overtighten.
11. **Leak Check:** Turn on the water supply and check all connections for leaks. Run water through the faucet, glass rinser, and drain to ensure proper function.

Operating Instructions

Your Lefton kitchen sink set is designed for convenience and efficiency. Familiarize yourself with its features for optimal use.

1. Waterfall Faucet

The distinctive waterfall spout provides a smooth, elegant flow of water, ideal for rinsing fruits, vegetables, or filling large pots. Activate it using the main faucet control.



Image: The graceful waterfall faucet providing a wide, gentle water flow.

2. Pull-down Faucet with 3 Modes

The pull-down faucet head offers three spray modes for various tasks:

- **Powerful Spray:** For stubborn food residue.
- **Aerated Flow:** For general washing and rinsing.
- **Gentle Stream:** For delicate items or filling.

The high arc design and 360-degree swivel allow for extended reach and easy access to all corners of the sink. The faucet head retracts seamlessly after use.



Image: The pull-down faucet head demonstrating its spray function.

3. Temperature Display

The innovative, battery-free temperature display shows the water temperature in Fahrenheit. It is powered by water flow beneath a tempered glass surface, providing instant feedback for a seamless experience.

4. Integrated Workstation Features

The sink features integrated double ledges to accommodate accessories like the cutting board, drain basket, and inside-basin, allowing for efficient food preparation, washing, draining, and cooling all within the sink area. The knife holder keeps essential tools organized and accessible.



Image: The sink configured as a workstation with the cutting board and drain basket in place.

5. Glass Rinser and Soap Dispenser

The integrated glass rinser provides a powerful spray to quickly clean cups and glasses. The soap dispenser offers convenient access to liquid soap, enhancing dishwashing efficiency.



Image: A glass being rinsed using the integrated glass rinser.

Maintenance

Regular cleaning and proper maintenance will preserve the appearance and functionality of your stainless steel sink.

- **Daily Cleaning:** Wipe the sink with a soft cloth or sponge and mild dish soap after each use. Rinse thoroughly with clean water and dry to prevent water spots.
- **Avoid Abrasives:** Do not use abrasive cleaners, steel wool, or scouring pads, as these can scratch the stainless steel surface.
- **Stain Removal:** For tougher stains, use a non-abrasive stainless steel cleaner. Always rub in the direction of the grain.
- **Prevent Rust:** Avoid leaving iron or steel objects in the sink for extended periods, as they can cause rust spots.
- **Drain Care:** Periodically clean the drain strainer to prevent clogs and maintain proper drainage.

Troubleshooting

If you encounter any issues with your sink, refer to the following common problems and solutions:

- **Low Water Pressure:** Check if the water supply valves are fully open. Inspect the faucet aerator for mineral buildup and clean if necessary.
- **Leaks Around Connections:** Ensure all water supply lines and drain connections are securely tightened. Check for damaged gaskets and replace if needed.
- **Slow Drainage:** Remove the drain strainer and clear any debris. If the problem persists, the drain pipe may be clogged and require further cleaning.
- **Temperature Display Not Working:** Ensure water is flowing through the faucet. The display is water-flow powered. If still not working, check connections.
- **Water Spots/Stains:** These are common with hard water. Wipe the sink dry after each use. For existing spots, use a stainless steel cleaner or a solution of vinegar and water, then rinse and dry.

If these steps do not resolve the issue, please contact customer support.

Warranty and Support

Your Lefton kitchen sink set is covered by a manufacturer's warranty against defects in materials and workmanship. Please refer to your purchase documentation for specific warranty terms and conditions. For technical assistance, replacement parts, or warranty claims, please contact Lefton customer support through the retailer where the product was purchased.