

YSWH Upholstered Daybed Sofa Bed

YSWH Twin Size L-Shaped Upholstered Daybed Sofa Bed Instruction Manual

Model: Upholstered Daybed Sofa Bed (Beige)

INTRODUCTION

This instruction manual provides essential information for the safe and efficient assembly, operation, and maintenance of your YSWH Twin Size L-Shaped Upholstered Daybed Sofa Bed. Please read this manual thoroughly before beginning assembly or use to ensure proper setup and to prevent damage or injury. Keep this manual for future reference.

SETUP AND ASSEMBLY

Safety Precautions

- Ensure all parts are present and undamaged before assembly. Do not use damaged parts.
- Assemble on a soft, clean surface to prevent scratching the product.
- Keep children and pets away from the assembly area.
- Tighten all bolts and screws firmly, but do not overtighten. Recheck periodically.
- Two people are recommended for assembly.

Before You Begin

Unpack all components and lay them out on a clean, flat surface. Verify that all parts and hardware listed below are accounted for. If any parts are missing or damaged, contact customer support before proceeding.

Parts List

- Main Bed Frame Sections
- Backrest Panel
- Armrest Panels (Left and Right)
- Bed Slats (12 pieces)

- Storage Drawers (2 units)
- Support Legs

Hardware List

- Bolts, Screws, Washers (various sizes)
- Allen Wrench (Hex Key)

Assembly Steps

1. **Unpack and Identify:** Carefully remove all components from the packaging. Identify each part by comparing it to the parts list.
2. **Assemble Main Frame:** Connect the main bed frame sections according to the diagrams provided in your physical manual. Ensure all connections are secure.
3. **Attach Armrests and Backrest:** Secure the armrest panels and the backrest panel to the main frame using the provided hardware. Ensure the L-shaped configuration is correctly oriented.
4. **Install Bed Slats:** Place the bed slats across the frame. Secure each slat to the frame using the designated fasteners. Ensure even spacing for optimal mattress support.
5. **Assemble Storage Drawers:** Assemble the two storage drawers. Insert the assembled drawers into the designated spaces beneath the daybed frame.

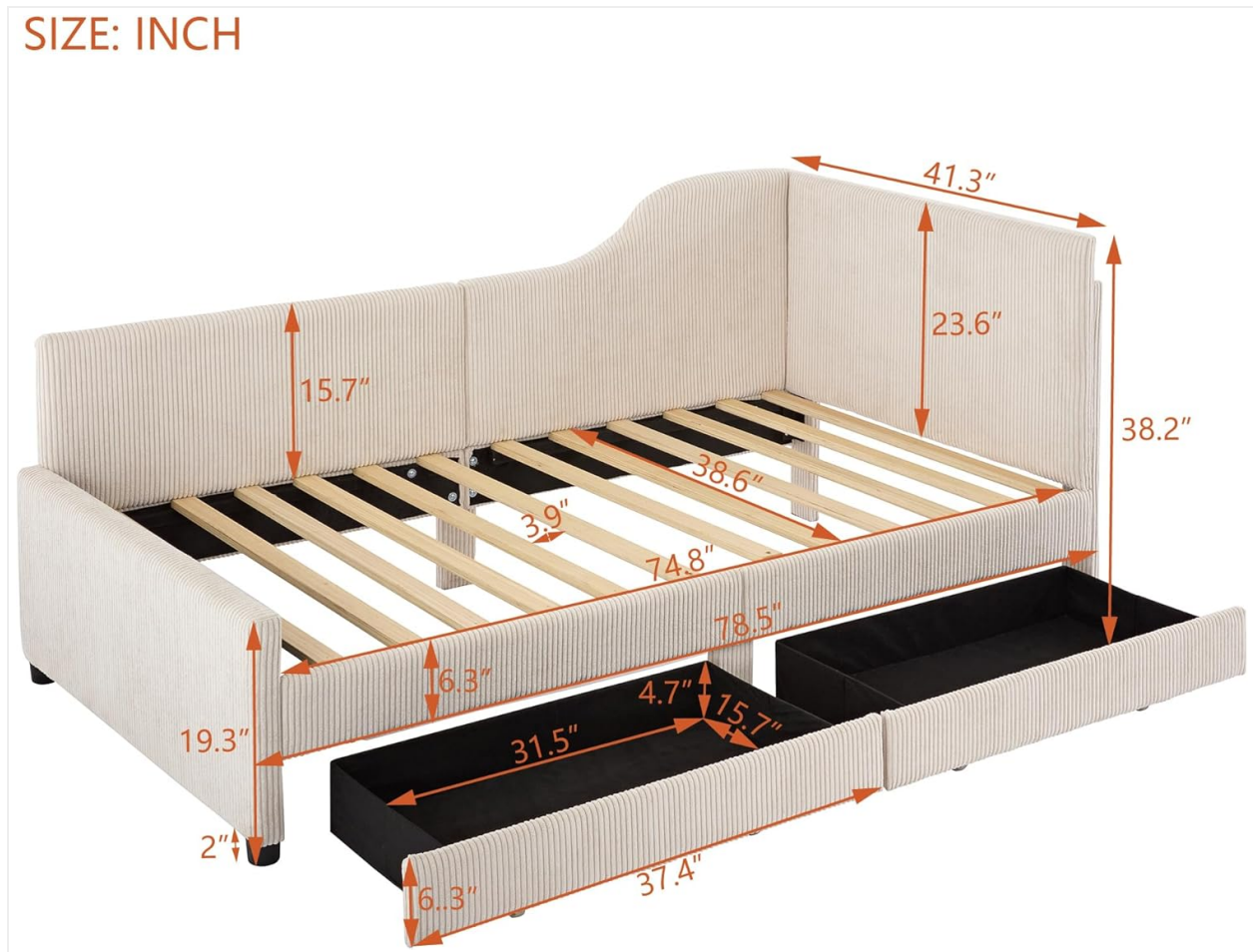


Figure 1: Overall dimensions and structure of the daybed, including the two storage drawers.



Figure 2: Illustration of the bed slat installation within the frame.



Figure 3: Detail of the two pull-out storage drawers.

Using the Daybed

The YSWH Daybed is designed for dual functionality as both a sofa and a bed. Place a twin-size mattress (recommended thickness 6 inches) on the bed slats. For sofa use, arrange pillows against the backrest and armrests. For sleeping, ensure the mattress is properly positioned.

Using the Storage Drawers

The two integrated storage drawers are designed for convenient access. To open, gently pull the front panel of the drawer. To close, push the drawer back into the compartment until it is fully recessed. Avoid overloading the drawers to ensure smooth operation and prevent damage.



Figure 4: The daybed configured for use as a sofa.

MAINTENANCE AND CARE

Cleaning the Upholstery

- Regularly vacuum the corduroy fabric using a soft brush attachment to remove dust and debris.
- For spills, blot immediately with a clean, dry cloth. Do not rub.
- For stubborn stains, use a mild fabric cleaner specifically designed for upholstery. Test on an

inconspicuous area first.

- Avoid using harsh chemicals or abrasive cleaners, as these can damage the fabric.

Frame and Hardware

- Periodically check all bolts and screws to ensure they remain tight. Retighten as necessary to maintain stability.
- Wipe the wooden components with a soft, damp cloth.
- Ensure the storage drawers slide smoothly. Clean any debris from the drawer tracks if necessary.

TROUBLESHOOTING

Squeaking Noises

If the daybed produces squeaking noises, check all assembly hardware. Loose bolts or screws are a common cause. Tighten all connections firmly. Ensure the bed slats are properly seated and secured.

Drawers Not Sliding Smoothly

Check for obstructions in the drawer tracks. Ensure the drawers are correctly aligned within their compartments. Verify that the drawers are not overloaded, which can cause them to stick or bind.

Instability

If the daybed feels unstable, re-examine all connections and ensure they are fully tightened. Verify that the daybed is placed on a flat, level surface. Uneven flooring can affect stability.

SPECIFICATIONS

Feature	Detail
Product Type	Upholstered Daybed
Function	Storage Drawers, L-Shaped Semi-Enclosed Design, Vertical Striped Detailing
Material	MDF + Plywood + Corduroy
Size	Twin
Color	Beige
Overall Product Dimension	74.8"L x 71.3"W x 38.2"H
Weight Capability (Bed)	300 lbs
Weight Capability (Each Drawer)	30 lbs
Recommend Mattress Thickness	6"
Number of Bed Slats	12
Assembly Required	Yes

Feature	Detail
Product Weight	85 lbs

WARRANTY INFORMATION

This YSWH Twin Size L-Shaped Upholstered Daybed Sofa Bed comes with a **1-year product warranty** from the date of purchase. This warranty covers manufacturing defects under normal use. It does not cover damage resulting from improper assembly, misuse, abuse, accidents, or normal wear and tear. Please retain your proof of purchase for warranty claims.

CUSTOMER SUPPORT

For any questions, concerns, or assistance with assembly or product issues, please contact the seller or manufacturer directly. Refer to your purchase documentation for specific contact details. Our customer service team is available to provide support and address any inquiries you may have.