



[Manuals.plus](#) /

> [Juboos](#) /

> Juboos Kids Analog Watch User Manual

## Juboos

# Juboos Kids Analog Watch User Manual

Model: 412L

## INTRODUCTION

---

Thank you for choosing the Juboos Kids Analog Watch. This watch is designed with a colorful and comfortable experience in mind for children, featuring a durable soft strap and a unique 7-color night light function. This manual provides detailed instructions for setting up, operating, and maintaining your watch to ensure optimal performance and longevity.



Figure 1: Juboos Kids Analog Watch (Purple variant) showcasing its vibrant design and backlight feature.

## KEY FEATURES

- **7 Colorful Night Lights:** Easily switch between seven different backlight colors to suit your child's preference and curiosity.

- **Daily Water Resistance (30M/98FT):** Suitable for daily waterproofing activities such as hand washing, rain, and sweat.  
**Note: Not suitable for diving, bathing, or swimming. Excessive water contact will shorten the watch's lifespan.**
- **Durable and Comfortable Design:** Features a wear-resistant soft TPU strap and a stainless steel back cover for comfort and longevity.
- **Easy Time Adjustment:** Designed for children to easily set the time independently.
- **Japanese Quartz Movement:** Ensures accurate timekeeping.

## SETUP

### Setting the Time

1. **Pull out the knob:** Gently pull the crown (knob) on the right side of the watch case outwards until it clicks.
2. **Turn the knob:** Rotate the crown in the direction of the arrow (clockwise or counter-clockwise) to adjust the hour and minute hands to the correct time.
3. **Press the knob back:** Once the time is set, push the crown back into its original position to start the watch movement.

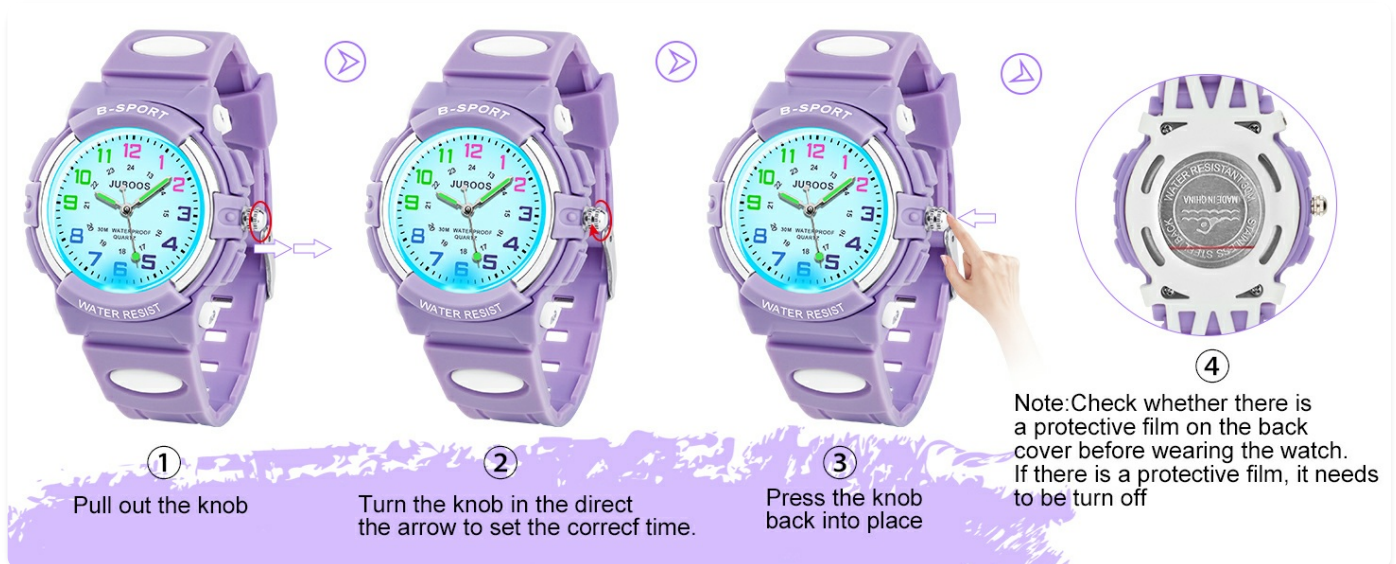


Figure 2: Step-by-step guide for setting the watch time.

**Important Note:** Before wearing the watch, check if there is a protective film on the back cover. If present, it needs to be removed for proper operation and comfort.

### Activating and Changing Backlight Colors

The watch features 7 vibrant backlight colors. To activate and cycle through them:

- Locate the backlight button on the right side of the watch case.
- Press and hold the backlight button for approximately 3 seconds to change the color of the night light. Repeat this action to cycle through all 7 available colors.

# Seven backlight colors

Press and hold the "backlight" button for 3s to toggle the LED color



Figure 3: Demonstrating the 7-color backlight feature and the backlight button location.

## OPERATING INSTRUCTIONS

### Water Resistance Guidelines

Your Juboos Kids Analog Watch is designed with 30M (98FT) water resistance, making it suitable for everyday activities. Please adhere to the following guidelines to maintain its waterproof integrity:

- **Acceptable Use:** The watch can withstand splashes from hand washing, light rain, and incidental contact with water during play (e.g., water play, but not submersion).
- **Avoid:** Do not wear the watch while showering, bathing, swimming, diving, or engaging in any activities that involve prolonged submersion or high-pressure water exposure.
- **Temperature Extremes:** Avoid exposing the watch to extreme hot or cold temperatures, as this can affect the waterproof seals.



Figure 4: Visual representation of the watch's 30M water resistance capabilities.

## MAINTENANCE

- **Cleaning:** It is recommended to clean the watch strap regularly with a soft, damp cloth to remove dirt and sweat. Avoid using harsh chemicals or abrasive materials.
- **Battery Replacement:** The watch uses a SR626SW battery. When the watch stops or the backlight dims significantly, it's time to replace the battery. It is recommended to have battery replacement performed by a qualified watch technician to ensure the waterproof seal is maintained.
- **Storage:** When not in use for extended periods, store the watch in a cool, dry place away from direct sunlight and extreme temperatures.

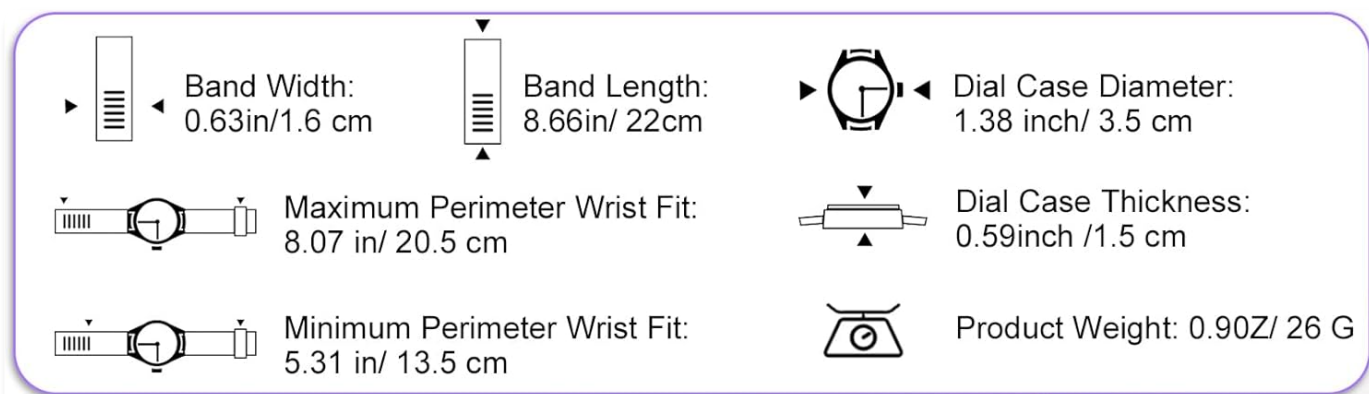


Figure 5: Components of the watch, including the Japanese movement and durable strap.

## TROUBLESHOOTING

Problem	Possible Cause	Solution
Watch not working / Hands not moving	Battery depleted or protective film not removed.	Check if the crown is pushed in completely. If not, push it in. If the issue persists, the battery may need replacement. Ensure any protective film on the back is removed.
Backlight not working or dim	Low battery or button not pressed correctly.	Ensure the backlight button is pressed and held for 3 seconds. If still dim, the battery may be low and require replacement.
Water inside the watch	Exceeded water resistance limits.	<b>Immediately stop using the watch.</b> Seek professional repair to prevent further damage. Refer to water resistance guidelines.

Problem	Possible Cause	Solution
Time is inaccurate	Time not set correctly or battery low.	Re-set the time carefully following the instructions in the "Setting the Time" section. If inaccuracy persists, the battery may be weak.

## SPECIFICATIONS

---

Feature	Detail
Band Width	0.63 inches / 1.6 cm
Band Length	8.66 inches / 22 cm
Case Thickness	0.59 inches / 1.5 cm
Dial Case Diameter	1.38 inches / 3.5 cm
Maximum Wrist Perimeter Fit	8.07 inches / 20.5 cm
Minimum Wrist Perimeter Fit	5.31 inches / 13.5 cm
Product Weight	0.92 oz / 26 g
Battery Code	SR626SW
Movement Type	Japanese Quartz



Figure 6: Detailed dimensions and weight of the watch.

## PACKAGE CONTENTS

---

Upon opening your Juboos Kids Analog Watch package, you should find the following items:

- 1 x Juboos Kids Analog Watch
- 1 x Gift Box
- 1 x User Manual (this document)

## SAFETY INFORMATION

---

Please read and understand the following safety warnings to ensure safe use of the product:

- **Battery Warning:** This product contains button cells or button batteries. Retain original packaging until ready to use. Dispose of used batteries immediately and keep away from children. If you suspect that you have swallowed a battery or

inserted a battery into any part of your body, get medical attention immediately!

- **Choking Hazard:** Small parts. Not for children under 3 years.
- **Sharp Edges:** Be careful of sharp edges. Do not dismantle or modify the watch.
- **Temperature:** Avoid use in extreme temperatures (very hot or very cold).



Figure 7: Important safety warnings regarding batteries and small parts.

## WARRANTY AND SUPPORT

Juboos is committed to providing high-quality products. This watch comes with a standard manufacturer's warranty against defects in materials and workmanship under normal use. For specific warranty terms and conditions, please refer to the documentation provided at the time of purchase or contact your retailer.

For technical support, troubleshooting assistance, or any inquiries regarding your Juboos Kids Analog Watch, please contact the customer service department of your retailer or visit the official Juboos website for contact information.

