

Lewisia IC006

Lewisia 10W Solar Automatic Drip Irrigation Kit (Model IC006) Instruction Manual

1. PRODUCT OVERVIEW

The Lewisia 10W Solar Automatic Drip Irrigation Kit (Model IC006) is a solar-powered watering system designed for efficient and automated irrigation of up to 50 plants. This plug-and-play solution is ideal for various settings including gardens, raised beds, patios, lawns, greenhouses, and potted plants. It features a programmable timer, a powerful 10W solar collector, and a run-dry protection mechanism to ensure optimal plant care with minimal manual intervention.



Image 1.1: Overview of the Lewisia 10W Solar Drip Irrigation System components.

The system operates without external power, relying solely on solar energy, which contributes to zero

running costs and significant water savings. Its design prioritizes portability and ease of installation, making it a convenient choice for smallholder farmers and home gardeners alike.

Your browser does not support the video tag.

Video 1.1: Official product video demonstrating the 10W Self Watering Kit with Timer Irrigating.

2. SETUP INSTRUCTIONS

Follow these steps to set up your Lewisia Solar Automatic Drip Irrigation Kit:

1. **Unpack Components:** Carefully remove all items from the packaging. Verify that all 70 pieces, including the solar panel, control unit, main water pipe (5m), water distribution pipes (30m), drippers, T-fittings, anti-siphon device, water level sensor, filter, and mounting hardware, are present.



Image 2.1: Contents of the Lewisia Solar Drip Irrigation Kit package.

2. **Position the Solar Panel:** Place the 10W solar panel in a location that receives maximum direct sunlight. The kit includes a metal stand for ground placement or brackets for mounting to a wall, fence, or deck. Ensure the panel is securely positioned.



Image 2.2: Close-up of the 10W Large Solar Panel.

- 3. Connect the Control Unit:** Connect the solar panel wire to the control unit. Then, connect the water level sensor, and the IN & OUT pipes to the designated ports on the control unit.
- 4. Prepare the Water Source:** Place the water level sensor and filter into your water container (e.g., bucket, rain barrel). Ensure the filter is submerged and the water level sensor is positioned to detect low water levels. The system is designed to irrigate directly from a container without needing a tap connection.



Image 2.3: Water Level Sensor and Filter setup.

- 5. Install Tubing and Drippers:** Connect the main water pipe to the control unit's OUT port. Use the provided T-fittings to branch off the water distribution pipes to each plant. Insert the drippers into the soil near the plant roots. The kit includes 5m of main pipe and 30m of distribution pipes, sufficient for up to 50 plants.
- 6. Anti-Siphon Device:** Connect the anti-siphon device to the outlet tubing. This prevents water from continuously draining from your reservoir when the pump is off.

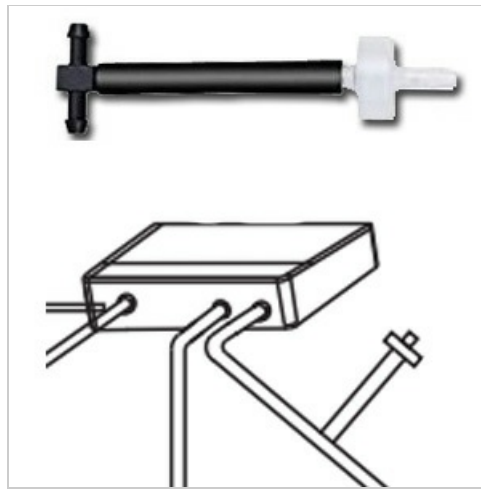


Image 2.4: Anti-siphon device component.

7. **Tip for Tubing Connections:** For the larger, more rigid hoses, immerse about 1 inch of the tube end in nearly boiling water for 10 seconds. This softens the material, allowing it to push fully over the joint bars for a secure connection.



Image 2.5: Detailed installation diagram showing component connections.

3. OPERATING INSTRUCTIONS

The Lewisia Drip Irrigation Kit features an easy-to-program timer with 30 modes of operation.

1. **Power On:** Once all connections are secure and the solar panel is exposed to sunlight, the unit will power on.
2. **Set Watering Time:** Use the 'min' button on the control unit to set the duration of each watering cycle. You can select durations from 1 to 30 minutes.
3. **Set Interval Time:** Use the 'h' button to set the frequency of watering. Options include every 3, 6, or 12 hours, or every 1, 2, 3, or 7 days.

Easy to Set Up Timer



Watering Time:
01, 02, 03.....28, 29,
30 minutes

Interval Time:
3h, 6h, 12h, 1d, 2d,
3d, 7d

Image 3.1: Control unit display for setting watering duration and frequency.

4. **Automatic Operation:** The system will automatically follow the programmed schedule. The water level sensor will prevent the pump from running dry, protecting it from damage.
5. **Manual Operation:** The control unit may also have a manual override button to initiate watering outside of the programmed schedule. Refer to the included manual for specific button functions.

4. MAINTENANCE

Regular maintenance ensures the longevity and efficiency of your irrigation system:

- **Filter Cleaning:** Periodically check and clean the water filter to prevent blockages and ensure optimal water flow.
- **Water Source Monitoring:** Regularly check the water level in your reservoir. The run-dry protection feature will alert you if the water level drops too low, but consistent monitoring is recommended.
- **Dripper Inspection:** Inspect drippers for any clogs or damage. Clean or replace as necessary to

maintain even water distribution.

- **Hose Integrity:** Check all hoses and connections for leaks or disconnections. Secure any loose fittings.

5. TROUBLESHOOTING

If you encounter issues with your Lewisia Drip Irrigation Kit, consider the following:

- **Low Water Pressure/Hose Disconnections:** If you are using the blue spikes and have less than a dozen water outputs, the water pressure in the hose system can become very high, causing hoses and joints to pop apart and putting strain on the pump. To prevent this, do not connect the blue spikes directly to the output hoses if you have few outputs. Instead, allow water to pour directly from the small hose ends and use the blue spikes solely to hold the hose ends in position.
- **Pump Not Running:** Check the solar panel's exposure to sunlight. Ensure the water level in the reservoir is adequate and the water level sensor is properly submerged. Verify all electrical connections are secure.
- **No Water Flow:** Check for clogged filters or drippers. Ensure the anti-siphon device is correctly installed and not obstructing flow. Inspect hoses for kinks or blockages.
- **Timer Issues:** If the timer is not functioning as expected, ensure the unit is receiving sufficient power from the solar panel. Re-program the timer settings if necessary.

6. SPECIFICATIONS

Feature	Specification
Brand	Lewisia
Model Number	IC006
Power Source	Solar Powered
Solar Panel Wattage	10W
Max Plants Supported	Up to 50
Total Hose Length	115.4 Feet (approx. 35m)
Main Water Pipe Length	5m (16.4 ft)
Water Distribution Pipe Length	30m (98.4 ft)
Pump Type	5W DC Impeller Pump
Maximum Flow Rate	2 L/minute (120 L/hour, 32 GPH)
Timer Modes	30 (1-30 min watering, every 3/6/12 hours or 1/2/3/7 days)
Special Features	Automatic Watering, Run Dry Protection, Two-way Solar Panel Installation
Material	Plastic, Metal
Item Weight	4 Pounds

Number of Pieces	70
------------------	----

7. WARRANTY AND SUPPORT

This product is subject to a 30-day refund/replacement policy. For specific warranty details or technical support, please refer to the documentation included with your product or contact Lewisia customer service directly.