



[Manuals.plus](#) /

> [vidaXL](#) /

> vidaXL Retractable Awning Instruction Manual - Model 3216128

vidaXL 3216128

vidaXL Retractable Awning Instruction Manual

Model: 3216128

1. INTRODUCTION

This manual provides essential information for the safe installation, operation, and maintenance of your vidaXL Retractable Awning, Model 3216128. Designed to provide shade and protection, this awning features a durable aluminum frame and UV-resistant fabric. Please read these instructions thoroughly before assembly and use.



Image 1.1: The vidaXL Retractable Awning providing shade over a patio area.

2. SAFETY INFORMATION

To ensure safe operation and prevent injury or damage, please observe the following safety guidelines:

- Always follow local building codes and regulations during installation.
- Ensure the mounting surface is structurally sound and capable of supporting the awning's weight, including potential wind loads.
- Do not operate the awning in strong winds, heavy rain, or snow. Retract the awning fully during adverse weather conditions.
- Keep children and pets away from the awning during extension and retraction.
- Regularly inspect all components for wear, damage, or loose fasteners. Do not use the awning if any part is damaged.
- Avoid hanging objects from the awning frame or fabric.

3. PACKAGE CONTENTS

Before beginning assembly, verify that all components are present and undamaged. If any parts are missing or damaged, contact vidaXL customer support.

- Awning frame assembly
- Fabric canopy (pre-attached to frame)
- Wall mounting brackets
- Crank handle
- Fasteners (screws, anchors)
- Instruction manual



Image 3.1: Close-up of awning components, showing fabric, frame, and bracket detail.

4. SETUP AND INSTALLATION

The vidaXL Retractable Awning requires assembly and secure wall mounting. Professional installation is recommended if you are unsure about any steps.

1. **Choose Location:** Select a suitable wall location that can support the awning's weight and provides adequate clearance for extension. Consider sunlight exposure and desired shade area. The awning is designed for wall mounting.
2. **Measure and Mark:** Use the provided dimensions (refer to Image 4.1 below) to accurately mark the drilling points for the wall mounting brackets. Ensure marks are level and correctly spaced according to the assembly instructions.
3. **Install Brackets:** Drill holes at the marked points and securely fasten the wall mounting brackets to the wall using the appropriate fasteners for your wall type (e.g., concrete, brick, wood). Ensure all brackets are firmly attached.
4. **Mount Awning:** With assistance, carefully lift and attach the awning frame to the installed wall brackets. Secure all connections according to the detailed assembly diagrams provided with your product.
5. **Final Adjustments:** Ensure the awning is level and all fasteners are tightened. Test the retraction and extension mechanism to confirm smooth operation.

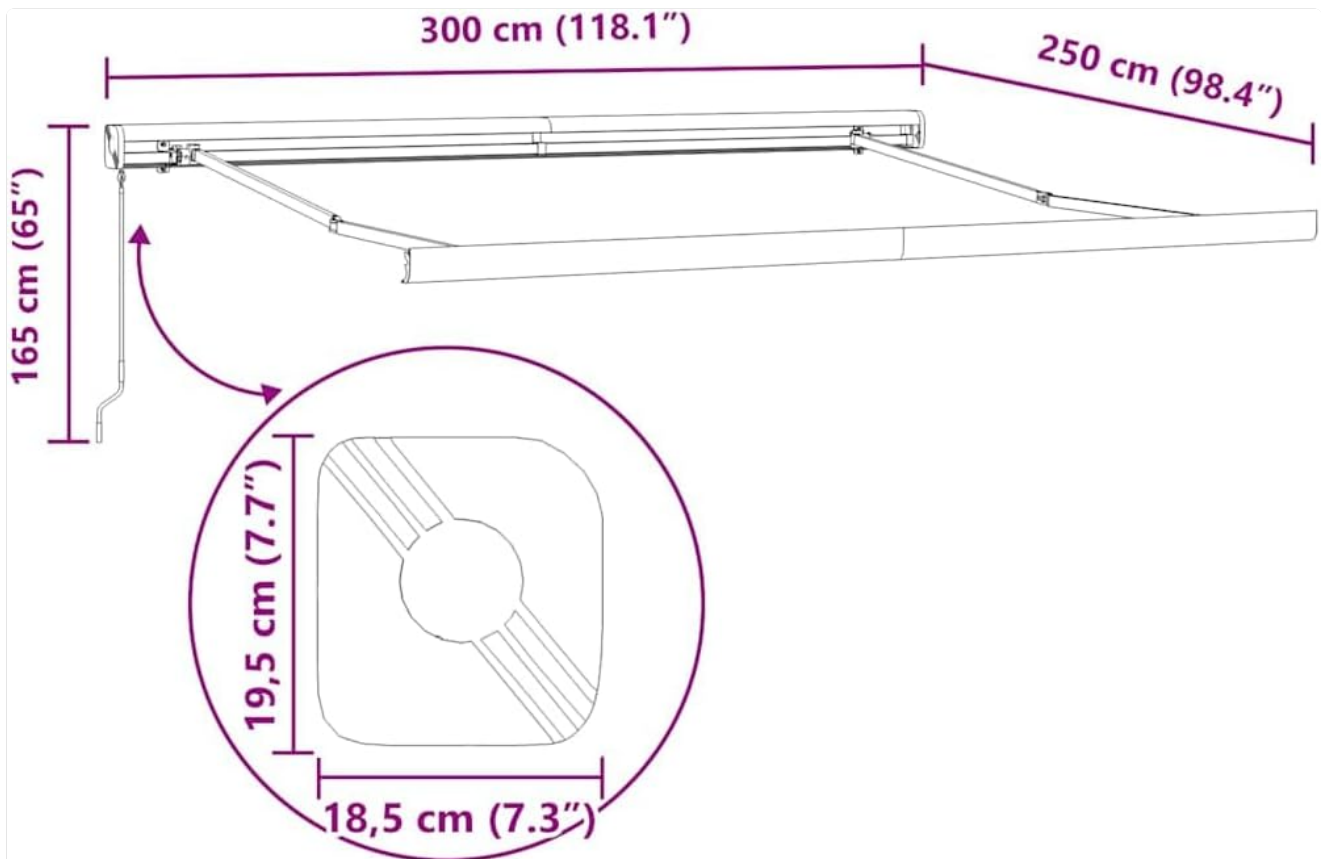


Image 4.1: Awning dimensions diagram (300 x 250 cm).

5. OPERATING INSTRUCTIONS

Your vidaXL Retractable Awning operates manually using the provided crank handle.

1. **To Extend the Awning:** Insert the crank handle into the designated loop or hook on the awning mechanism. Turn the handle clockwise to extend the canopy to your desired length. Do not over-extend the fabric beyond its maximum projection.
2. **To Retract the Awning:** Turn the crank handle counter-clockwise to retract the canopy fully. Ensure the awning is completely retracted when not in use or during adverse weather conditions to protect it from damage.

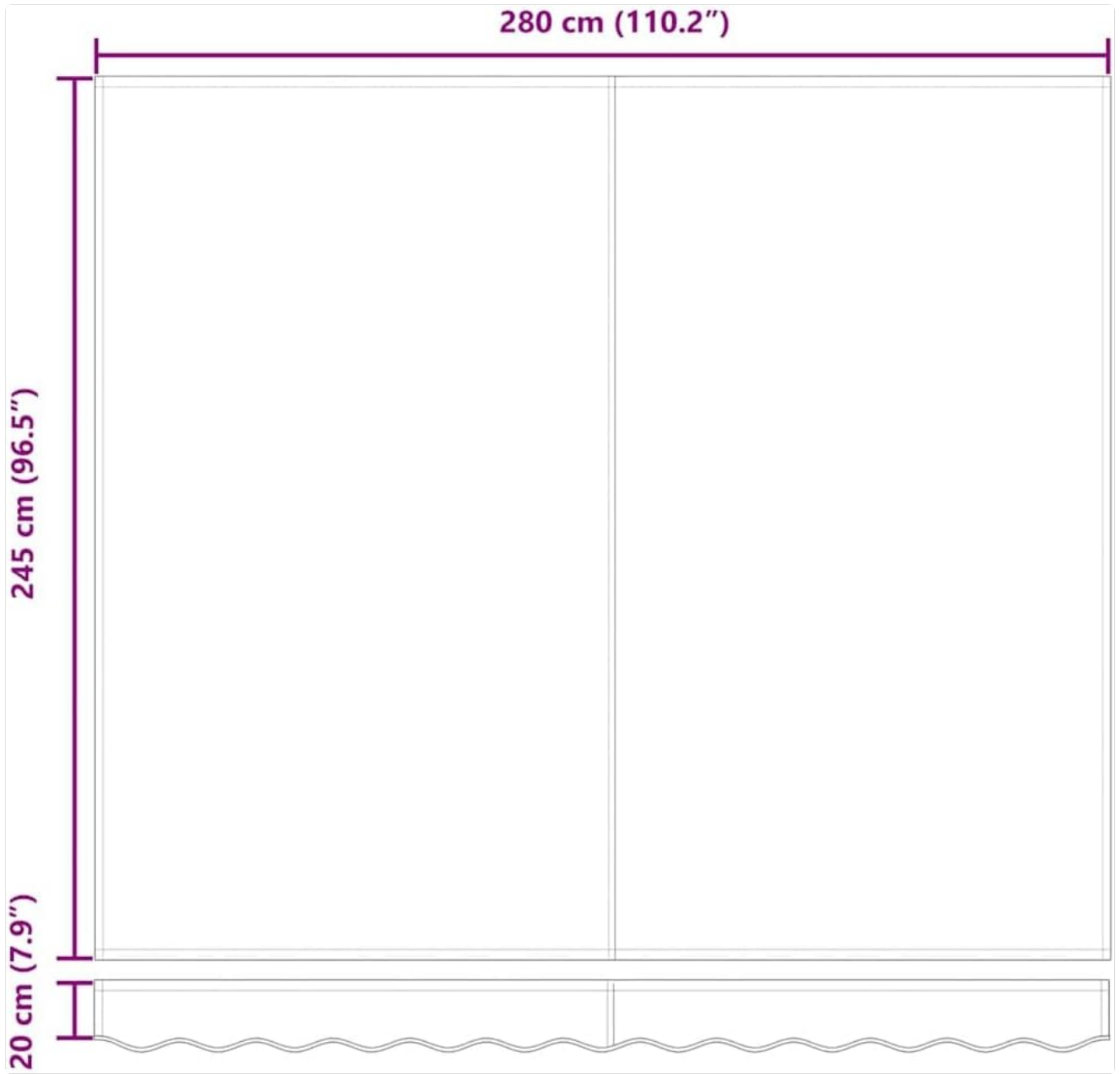


Image 5.1: Awning in retracted position, indicating manual operation.



Image 5.2: Awning in extended position, showing canopy deployment.

6. MAINTENANCE

Regular maintenance ensures the longevity and proper function of your awning.

- **Cleaning the Fabric:** Clean the UV-resistant polyester fabric with mild soap and water. Use a soft brush or sponge. Rinse thoroughly with clean water and allow the fabric to air dry completely before retracting. Do not use harsh chemicals, bleach, or abrasive cleaners, as these can damage the fabric's coating.
- **Cleaning the Frame:** Wipe the powder-coated aluminum frame with a damp cloth to remove dirt and debris. Avoid abrasive materials that could scratch the finish.
- **Inspection:** Periodically check all bolts, screws, and moving parts for tightness and wear. Tighten any loose fasteners. Lubricate moving parts if necessary with a silicone-based lubricant to ensure smooth operation.
- **Winter Storage:** In areas with harsh winters, it is recommended to keep the awning fully retracted and covered, or remove it for storage indoors to protect it from snow, ice accumulation, and extreme cold.

7. TROUBLESHOOTING

If you encounter issues with your awning, refer to the following common problems and solutions:

Problem	Possible Cause	Solution
---------	----------------	----------

Problem	Possible Cause	Solution
Awning does not extend/retract smoothly.	Mechanism is dirty or dry; obstruction in the arms or roller.	Clean and lubricate moving parts with a silicone-based spray. Check for and remove any debris.
Fabric sags or wrinkles when extended.	Fabric tension not properly adjusted; fabric stretched over time.	Consult a professional for tension adjustment. Ensure the awning is fully retracted when not in use.
Awning feels unstable after installation.	Mounting brackets not securely fastened; incorrect fasteners used for wall material.	Immediately cease use. Re-check all mounting points and fasteners. Ensure they are appropriate for the wall material and tightened to specifications. Seek professional assistance if needed.
Crank handle is difficult to turn.	Mechanism requires lubrication; handle connection is stiff.	Lubricate the crank mechanism and connection points. Ensure no debris is obstructing movement.

8. SPECIFICATIONS

The following are the technical specifications for the vidaXL Retractable Awning, Model 3216128:

Feature	Detail
Brand	vidaXL
Model Number	3216128
Material (Frame)	Powder-coated Aluminum
Material (Fabric)	100% Polyester with PU surface treatment
Color	Anthracite and Black
Size (Length x Projection)	300 cm x 250 cm (118.1 inches x 98.4 inches)
Item Weight	37.86 Kilograms
Operation Mode	Manual
Required Assembly	Yes

9. WARRANTY AND SUPPORT

For warranty information, please refer to the documentation provided at the time of purchase or contact your retailer. Warranty terms may vary based on region and purchase location.

For further assistance, technical support, or to inquire about replacement parts, please contact vidaXL customer service through their official website (www.vidaxl.com) or the retailer where the product was purchased. Please have your model number (3216128) and purchase details ready when contacting support.

