



[Manuals.plus](#) /

> [AODK](#) /

> AODK L-Shaped Gaming Desk with LED Lights and Power Outlets (150x102x76cm, White) Instruction Manual

## AODK OKTB02013301002JP

# AODK L-Shaped Gaming Desk Instruction Manual

Model: OKTB02013301002JP

## INTRODUCTION

---

Thank you for purchasing the AODK L-Shaped Gaming Desk. This manual provides essential information for the safe and efficient assembly, operation, and maintenance of your new desk. Please read these instructions carefully before beginning assembly and retain them for future reference.



Figure 1: The AODK L-Shaped Gaming Desk, designed for both gaming and office use.

## SAFETY INFORMATION

- Always assemble the desk on a soft, clean surface to prevent scratches.
- Ensure all screws and fasteners are securely tightened before use. Periodically check and re-tighten as necessary.
- Do not exceed the maximum weight capacity of 50 kg (110 lbs) for the desktop.
- Keep small parts and packaging materials away from children to prevent choking hazards.
- Avoid placing hot items directly on the desk surface without protection.
- Do not stand or sit on the desk.
- Use only the provided power adapter for the LED lights and power outlets.
- If any parts are missing or damaged, do not proceed with assembly. Contact customer support immediately.

## PACKAGE CONTENTS

Before assembly, verify that all components listed below are present and undamaged. If anything is missing, please contact customer support.

Part	Description	Quantity
------	-------------	----------

Part	Description	Quantity
Desktop Panels	L-shaped main desktop surfaces	Various
Steel Frame Components	Legs, support bars, cross braces	Various
Monitor Stands	Elevated platforms for monitors	2
Storage Shelves	Mesh or solid shelves for storage	Various
Power Strip Unit	Integrated AC outlets and USB ports	1
LED Light Strips	RGB lighting for desktop	Various
Assembly Hardware	Screws, bolts, Allen wrench, adjustable feet	Various
Instruction Manual	This document	1

## ASSEMBLY INSTRUCTIONS

---

Assembly typically requires two or more people due to the size and weight of the components. Follow the numbered steps carefully. Do not fully tighten screws until all parts are loosely assembled.

### Step 1: Unpack and Identify Parts

Carefully unpack all components and lay them out on a soft, clean surface. Compare them with the package contents list to ensure everything is present.

### Step 2: Assemble the Frame

Attach the main support legs to the horizontal frame bars using the provided screws. Ensure the frame is stable. The L-shaped configuration can be reversed (left or right orientation) during this step, depending on your preference.

# メインラックは左右どちらでも設置OK

## PC本体スタンド搭載

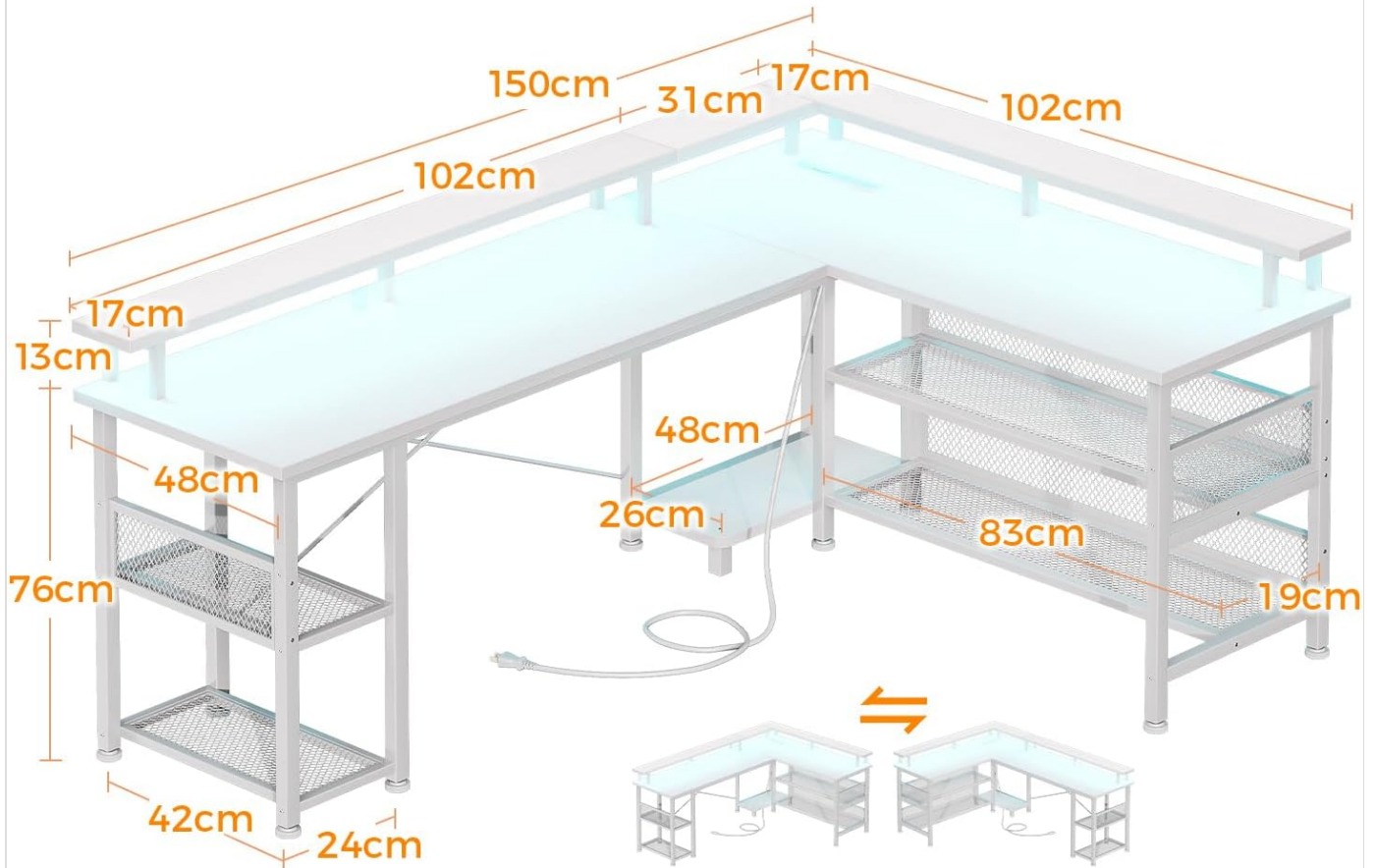


Figure 2: Desk dimensions and reversible L-shaped setup. The main rack can be installed on either the left or right side.

### Step 3: Attach Desktop Panels

Carefully place the desktop panels onto the assembled frame. Align the pre-drilled holes and secure the panels with the appropriate screws. Ensure the panels are flush and stable.

### Step 4: Install Monitor Stands

Attach the two monitor stands to the designated areas on the desktop. These stands are designed to elevate your monitors for improved ergonomics, helping to reduce strain on your neck and shoulders.



Figure 3: The monitor stand helps maintain proper posture, reducing strain on the neck and shoulders.

### Step 5: Install Storage Shelves

Mount the storage shelves to the frame as indicated in the detailed assembly diagram (refer to the included paper manual). The height of some shelves may be adjustable to accommodate different items, such as a PC tower, providing ample storage space.



Figure 4: The storage shelves offer ample space, with adjustable height for larger items like a PC case.

## Step 6: Connect Power Strip and LED Lights

Integrate the power strip unit into its designated slot. Attach the LED light strips to the underside of the monitor stands or desktop edges as desired. Connect the LED lights and power strip to the main power source.



Figure 5: The desk features integrated power outlets (2 AC, 2 USB) and RGB LED lighting for convenience and ambiance.

## Step 7: Final Tightening and Leveling

Once all components are in place, fully tighten all screws. Adjust the leveling feet at the bottom of the desk legs to ensure the desk is stable and level on uneven floors.

## OPERATING INSTRUCTIONS

### Using the Integrated Power Outlets and USB Ports

The desk is equipped with 2 AC power outlets (100-240V/15A) and 2 USB ports (5V-2A) for convenient charging of your devices. Simply plug your devices into the appropriate ports. Ensure the desk is connected to a wall outlet.

### Controlling the LED Lights

The integrated RGB LED lights offer 10 lighting modes and 10 color adjustment modes. Use the control button (usually located near the power strip) to cycle through the modes and colors. The lights have a memory function that retains the last selected mode when turned off and on again, allowing you to create an immersive atmosphere.



Figure 6: Close-up of the power outlets and LED light control interface.

## MAINTENANCE

- **Cleaning:** Wipe the desk surface with a soft, damp cloth. Avoid abrasive cleaners or harsh chemicals that may damage the melamine finish.
- **Spills:** Immediately wipe up any spills to prevent water damage or staining. The high-strength melamine laminated board is resistant to dirt, scratches, heat, and moisture.
- **Fasteners:** Periodically check all screws and bolts to ensure they remain tight. Re-tighten if necessary to maintain stability.
- **Electrical Components:** Ensure the power cord and connections for the LED lights and outlets are not pinched or damaged. Disconnect power before cleaning electrical components.

## TROUBLESHOOTING

Problem	Possible Cause	Solution
Desk is wobbly/unstable	Screws are loose; uneven floor	Tighten all assembly screws. Adjust the leveling feet on the bottom of the legs to compensate for uneven surfaces.
LED lights not working	Power not connected; faulty connection; damaged LED strip	Ensure the desk's power cord is plugged into a working wall outlet. Check all LED connections. If still not working, contact customer support.
Power outlets/USB ports not working	Desk not powered; circuit breaker tripped; faulty unit	Verify the desk is plugged in. Check your home's circuit breaker. Test with another device. If issue persists, contact customer support.
Parts do not align during assembly	Incorrect orientation; screws overtightened prematurely	Loosen all screws, re-align parts, then gradually tighten. Ensure correct orientation of L-shaped sections as shown in the assembly diagrams.

## SPECIFICATIONS

---

**Model:** OKTB02013301002JP

**Brand:** AODK

**Dimensions (D x W x H):** 102 cm x 150 cm x 76 cm (40.2 in x 59.1 in x 29.9 in)

**Weight:** 24.7 kg (54.5 lbs)

**Shape:** L-shaped

**Color:** White

**Desktop Material:** High-strength melamine laminated board

**Base Material:** Metal (Steel frame)

**Finish:** Powder coating (base material)

**Weight Capacity (Desktop):** 50 kg (110 lbs)

**Electrical Features:** 2x AC outlets (100-240V/15A), 2x USB ports (5V-2A)

**Lighting:** RGB LED lights with 10 lighting modes and 10 color adjustment modes, memory function

**Additional Features:** Monitor stand, Storage shelves, Adjustable leveling feet, Reversible L-shaped configuration

**GTIN:** 850064516760

## WARRANTY AND SUPPORT

---

For warranty information, missing parts, or technical support, please contact AODK customer service. Refer to your purchase documentation or the retailer's website for specific contact details.

