



Manuals.plus /

- › Lifewit /
- › Lifewit Farmhouse Double Lift Top Coffee Table User Manual

## Lifewit 24136

# Lifewit Farmhouse Double Lift Top Coffee Table User Manual

Model: 24136

Brand: Lifewit

## 1. INTRODUCTION

---

Thank you for choosing the Lifewit Farmhouse Double Lift Top Coffee Table. This manual provides essential information for the safe assembly, operation, and maintenance of your new coffee table. Please read all instructions carefully before beginning assembly and retain this manual for future reference.



Image: The Lifewit Farmhouse Double Lift Top Coffee Table, showcasing its rustic white finish and barn doors, positioned in a living room with festive decor.

## 2. SAFETY INFORMATION

---

Your safety is paramount. Please adhere to the following safety guidelines:

- Always follow the assembly instructions carefully.
- Do not place heavy objects on the tabletop exceeding 50 kg (110 lbs).
- Ensure all screws and fasteners are securely tightened before use.
- Keep small parts away from children during assembly to prevent choking hazards.
- Avoid standing or sitting on the coffee table.
- Use on a flat, stable surface to prevent tipping.

## 3. SETUP AND ASSEMBLY

---

The Lifewit Farmhouse Double Lift Top Coffee Table is designed for easy assembly. It is recommended to have two people for assembly.

### 3.1. Before You Begin

- Unpack all components and verify against the parts list (not provided in this manual, refer to your product packaging).
- Clear a spacious area for assembly.
- Gather necessary tools (typically a screwdriver, not included).

### 3.2. Assembly Steps (General Guidelines)

1. Attach the side panels to the base frame using the provided hardware.
2. Install the central support and shelf.
3. Assemble the sliding barn doors and attach them to their tracks.
4. Install the lift-top mechanisms onto the main frame.
5. Carefully place and secure the lift-top panels onto the mechanisms.
6. Ensure all connections are tight and stable.

# Sturdy & Stable



Image: Detailed views highlighting the table's construction: a thickened tabletop, scratch-resistant surface, waterproof and easy-to-clean material, and reinforced support legs for stability.

## 4. OPERATING INSTRUCTIONS

### 4.1. Lift Top Function

The coffee table features a double lift-top design, allowing you to raise sections of the tabletop for a comfortable working or dining height. Each lift-top panel is equipped with a high-quality pneumatic lifting mechanism.

- To raise: Gently lift the desired tabletop panel upwards. The pneumatic mechanism will assist in a smooth and safe ascent.
- To lower: Gently push the tabletop panel downwards. The mechanism will guide it back into the closed position.
- Avoid placing hands or fingers near the hinges when raising or lowering the top.

# Lift Top Design

Two liftable top panels provide great convenience



Image: The coffee table with one of its lift-top sections elevated, providing a convenient surface for a laptop and other items, ideal for work or dining.



Image: A detailed view of the safe pneumatic lifting mechanism, which ensures smooth and controlled movement of the tabletop.

## 4.2. Sliding Barn Doors

The coffee table features functional sliding barn doors that provide access to the central open cabinet and conceal the side storage compartments.

- To open/close: Gently slide the barn doors along their top track.
- Ensure the track is clear of obstructions for smooth operation.



Image: A close-up of the coffee table's sliding barn doors, illustrating their smooth movement along the track to access storage.

### 4.3. Storage Compartments

The table offers ample storage:

- **Hidden Compartments (1 & 2):** Located under the lift-top panels, ideal for remote controls, magazines, and glasses.
- **Front Storage Cabinets (3 & 5):** Behind the sliding barn doors, suitable for larger items like pillows or blankets.
- **Open Cabinet (4):** The central open section, perfect for decorative items or frequently accessed belongings.

# Ample Storage



Image: An illustrative diagram detailing the coffee table's storage capabilities, including two hidden compartments under the lift-tops and three accessible compartments behind and between the barn doors.

## 5. MAINTENANCE

To ensure the longevity and appearance of your Lifewit coffee table, follow these maintenance guidelines:

- **Cleaning:** Wipe with a damp cloth. Avoid harsh chemicals or abrasive cleaners that may damage the finish.
- **Spills:** Clean spills immediately to prevent staining, especially on the distressed rustic white finish.
- **Inspection:** Periodically check all screws and fasteners to ensure they remain tight. Re-tighten if necessary.
- **Placement:** Avoid prolonged exposure to direct sunlight or extreme temperature changes, which can cause warping or fading.



Image: A hand wiping a liquid spill from the coffee table's surface, illustrating its waterproof and easy-to-clean properties.

## 6. TROUBLESHOOTING

---

If you encounter any issues with your coffee table, consider the following common solutions:

- **Wobbly Table:** Ensure all assembly screws are fully tightened. Check that the table is on a level surface.
- **Lift Top Not Smooth:** Verify that the pneumatic mechanisms are correctly installed and free of obstructions. Do not force the mechanism.
- **Sliding Doors Sticking:** Check the tracks for any debris or obstructions. Ensure the doors are properly aligned on the tracks.
- **Damaged Parts:** If any parts are damaged or missing upon arrival, do not proceed with assembly. Contact customer support for assistance.

## 7. SPECIFICATIONS

---

| Feature                       | Specification   |
|-------------------------------|---|
| Brand                         | Lifewit   |
| Model Number                  | 24136   |
| Colour                        | Rustic White  |
| Product Dimensions            | 110.01 x 59.99 x 50.01 cm (43.3 x 23.6 x 19.7 inches) |
| Material                      | Engineered Wood                                       |
| Item Weight                   | 37.2 kg (81.97 lbs)                                   |
| Maximum Weight Recommendation | 50 kg (110 lbs)                                       |
| Top Material Type             | Engineered Wood                                       |
| Care Instructions             | Wipe with Damp Cloth                                  |
| Shape                         | Rectangular   |

# Dimensions

Perfect size and lift top for your living room

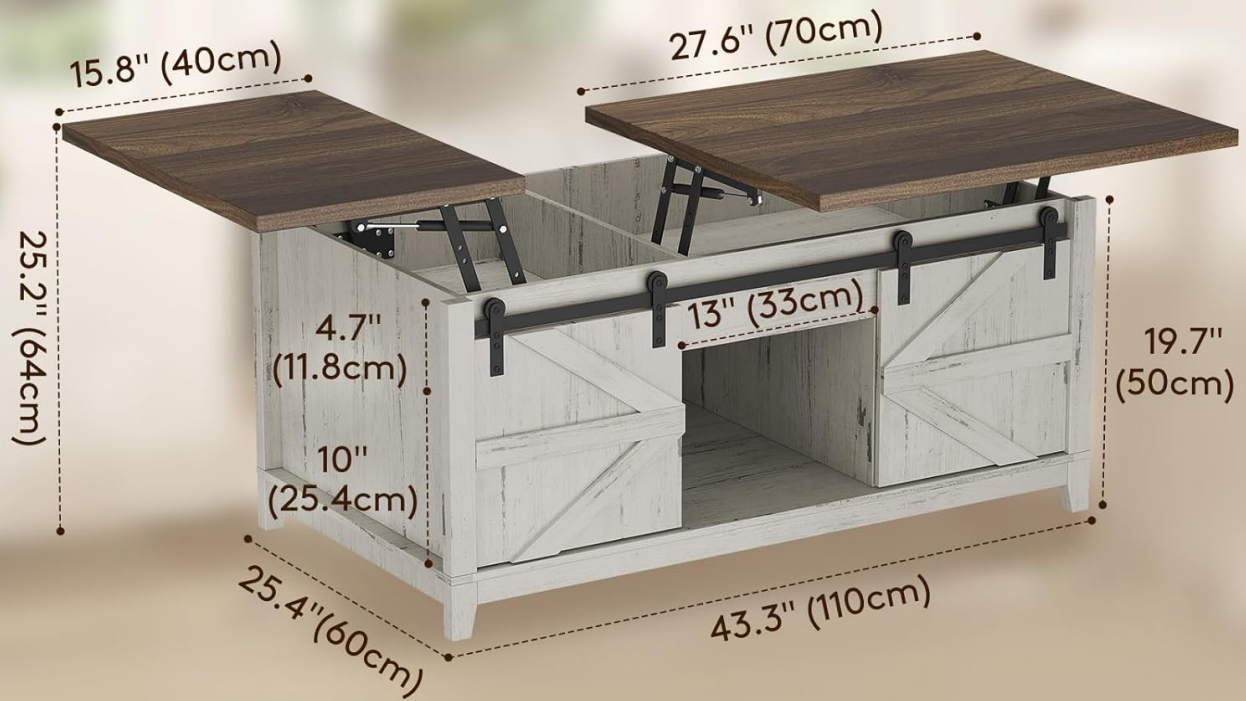


Image: A detailed diagram illustrating the key dimensions of the coffee table, including height, width, and depth, as well as the lift-top extension height.

## 8. WARRANTY AND SUPPORT

For any questions, concerns, or to report missing/damaged parts, please contact Lifewit customer support.

Refer to your purchase documentation for specific warranty details.

For further assistance, visit the official Lifewit store: Lifewit Store on Amazon