

[Manuals.plus](#) /

> [Mirightone](#) /

> Mirightone Twin Daybed with Storage and L-Shaped Headboard Instruction Manual

Mirightone daybed frame

Mirightone Twin Daybed with Storage and L-Shaped Headboard Instruction Manual

IMPORTANT SAFETY INFORMATION

Please read all instructions carefully before assembly and use. Keep this manual for future reference.

- **Adult Assembly Required:** This product requires adult assembly. Keep small parts and packaging materials away from children during assembly.
- **Weight Capacity:** The daybed is designed to support a maximum weight of 300 lbs. Do not exceed this limit.
- **Level Surface:** Always place the daybed on a firm, level surface.
- **Hardware Check:** Periodically check and tighten all bolts and fasteners to ensure stability.
- **Avoid Misuse:** Do not use the daybed for purposes other than its intended use.

PACKAGE CONTENTS

Your Mirightone Twin Daybed package includes all necessary tools, hardware, and a detailed assembly manual. Please verify that all components are present and undamaged upon receipt.

- Twin Daybed Frame components
- Storage Drawers (4 units)
- L-Shaped Headboard sections
- Bed Slats (10 units)
- Assembly Hardware (screws, bolts, etc.)
- Assembly Tools (e.g., Allen wrench)
- Instruction Manual (physical copy)

Note: This product is shipped in two separate boxes, which may arrive on different dates. Please ensure both boxes are received before beginning assembly.

ASSEMBLY INSTRUCTIONS

Follow the step-by-step instructions provided in the physical assembly manual included with your product. It is recommended that two adults assemble this daybed to ensure safety and ease of construction.

1. **Unpack Components:** Carefully remove all parts from the packaging and lay them out on a clean, soft surface to prevent scratches.
2. **Identify Parts:** Refer to the parts list in your manual to identify each component.
3. **Assemble Frame:** Begin by assembling the main bed frame according to the diagrams. Ensure all connections are secure but do not overtighten until the frame is fully aligned.
4. **Attach Headboard:** Secure the L-shaped headboard sections to the main frame.
5. **Install Slats:** Place the bed slats evenly across the frame and secure them as instructed. These slats provide mattress support and eliminate the need for a box spring.
6. **Assemble Drawers and Shelves:** Construct the four storage drawers and integrate the open shelves into the bed frame structure.
7. **Final Tightening:** Once the entire structure is assembled and aligned, go back and securely tighten all hardware.

SIZE: INCH

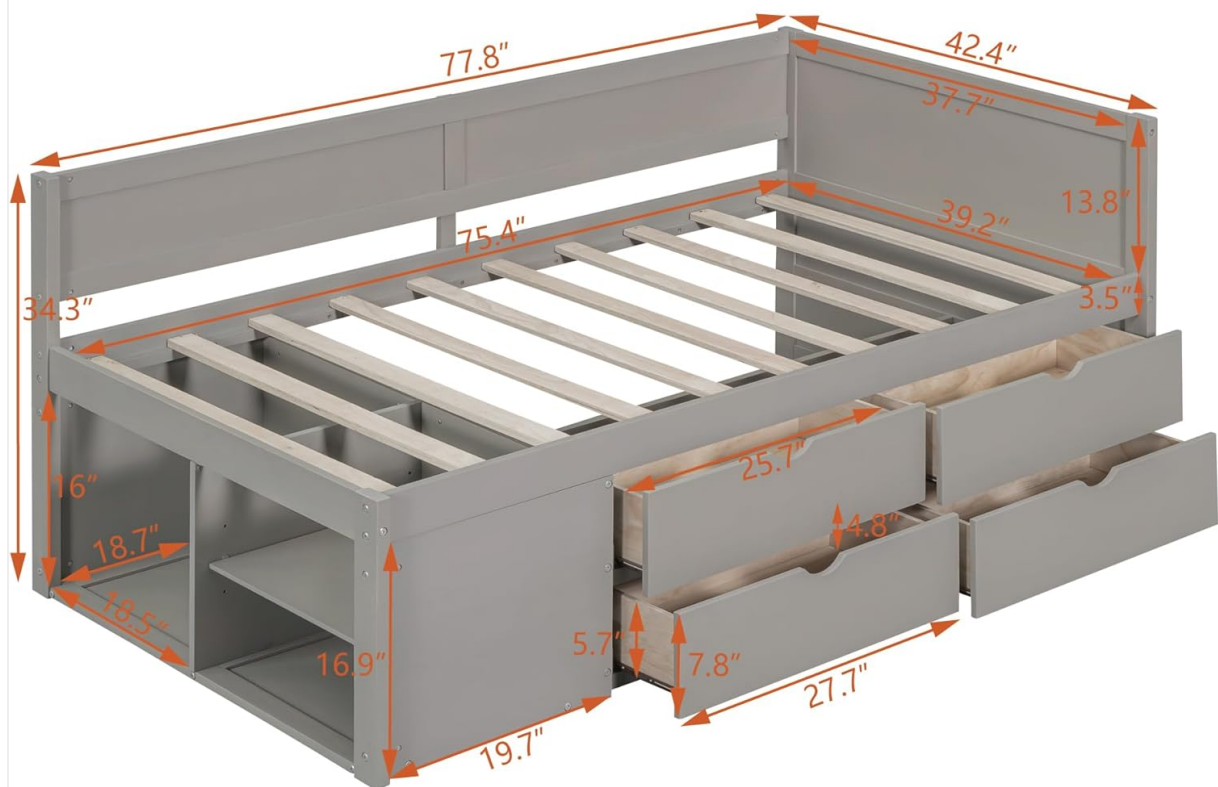


Image: Detailed dimensions of the daybed, including length, width, and height of the frame, headboard, drawers, and shelves.



Image: Illustrates the solid construction of the bed frame, highlighting the quality of the pine wood used.

OPERATING INSTRUCTIONS

The Mirightone Twin Daybed is designed for comfortable sleep and efficient storage.

- **Using the Daybed:** Place a standard twin-size mattress directly onto the provided wooden slats. No box spring is required.
- **Using the Storage Drawers:** The four pull-out drawers are located beneath the bed frame. They operate on smooth sliders for easy access. Gently pull the integrated handle to open and push to close. These are ideal for storing clothes, bedding, or toys.
- **Using the Shelves:** The L-shaped headboard incorporates open shelves. These can be used to store books, decorative items, or other personal belongings, keeping them within easy reach.



Image: A detailed view of the integrated storage, showcasing the three shelves and four drawers for organizing various items.



Image: A close-up of one of the open storage drawers, illustrating its depth and the smooth operation of its sliders.

MAINTENANCE AND CARE

Proper care will extend the life and appearance of your daybed.

- **Cleaning:** Wipe surfaces with a soft, damp cloth. Avoid using harsh chemicals, abrasive cleaners, or polishes that may damage the finish.
- **Wood Care:** Protect the wooden surfaces from direct sunlight and extreme temperature changes, which can cause fading or warping.
- **Hardware:** Periodically inspect all bolts and screws. Re-tighten any loose hardware to maintain structural integrity.
- **Spills:** Clean up spills immediately to prevent staining or damage to the wood finish.

TROUBLESHOOTING

If you encounter any issues with your daybed, refer to the following common solutions:

- **Loose Connections:** If the bed feels wobbly or unstable, check all assembly points and tighten any loose bolts or screws.

- **Squeaking Noises:** Squeaking can often be resolved by ensuring all hardware is tightly secured. Verify the bed is on a level surface.
- **Drawers Sticking:** If a drawer is difficult to open or close, check its tracks for any obstructions. Ensure the drawer is properly aligned within its runners.
- **Missing Parts:** If any parts were missing upon delivery, please contact customer support immediately.

SPECIFICATIONS

Feature	Detail
Size	Twin
Product Dimensions	77.8"L x 42.4"W x 34.3"H
Special Feature	Daybed with Drawers and Shelves, L-shaped Headboard
Color	Grey
Finish Type	Painted
Included Components	All tools, manual and hardware, twin daybed *1, with Drawers and Shelves
Brand	Mirightone
Assembly Required	Yes
Item Weight	130.2 pounds
Material	Engineered Wood, Pine Wood
Style	Modern

SIZE: INCH

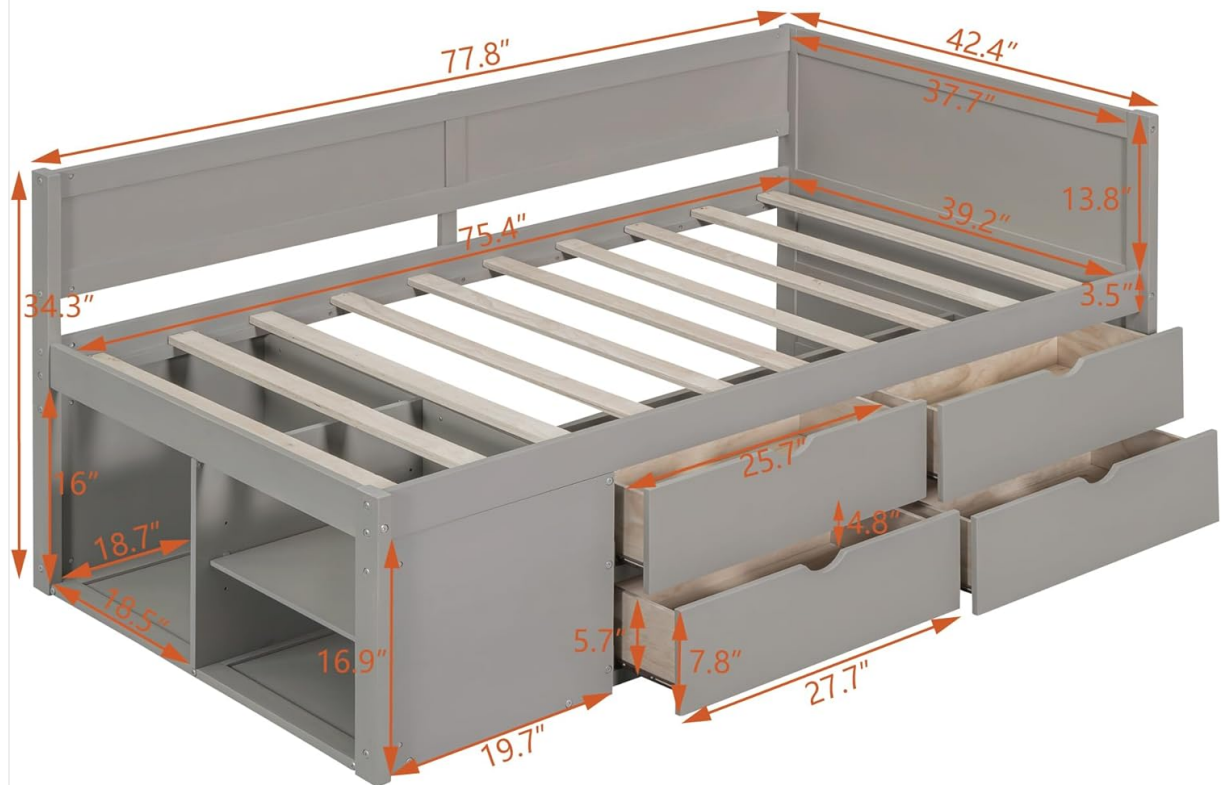


Image: Visual representation of the daybed's dimensions, including overall length, width, and height, as well as internal measurements for storage.

WARRANTY INFORMATION

Mirightone products are manufactured with quality and durability in mind. For specific warranty details regarding your Twin Daybed, please refer to the warranty card included in your product packaging or contact Mirightone customer service directly. The warranty typically covers manufacturing defects under normal use.

CUSTOMER SUPPORT

Should you have any questions, require assistance with assembly, or need to report missing/damaged parts, please do not hesitate to contact our customer service team.

How to Contact Us:

- Navigate to your Amazon Order Page.
- Find your purchase of the Mirightone Twin Daybed.
- Click on the "Contact Seller" option.

Our customer service team aims to respond to all inquiries within 24 hours, including weekends.



Mirightone Customer Care:
Always Here for You!

Via Amazon Order Page:
Go to "Your Orders" →
Find your purchase → Click "**Contact Seller**"
We will respond within 24 hours (even weekends!)

Image: Mirightone Customer Care representatives ready to assist with product inquiries and support.