



[Manuals.plus](#) /

› [Golpart](#) /

› Golpart 8 Tier Adjustable Storage Shelves User Manual

Golpart 9

Golpart 8 Tier Adjustable Storage Shelves User Manual

Brand: Golpart

Model: 9

1. INTRODUCTION

Thank you for choosing the Golpart 8 Tier Adjustable Storage Shelves. This manual provides essential information for the safe and efficient assembly, operation, and maintenance of your new shelving unit. Please read these instructions carefully before use and retain them for future reference.



Figure 1: The Golpart 8 Tier Adjustable Storage Shelves in a home setting.

2. PRODUCT OVERVIEW

Features:

- **Premium Materials:** Constructed from strength carbon steel, featuring a "spider web" design for stability.
- **High Load Capacity:** Total static maximum load weight is 800 lbs. Each individual shelf holds up to 150 lbs.

- **Corrosion Protection:** Shelves are specially coated to protect against water, rust, and corrosion, making them suitable for various environments.
- **Adjustable Shelves:** Shelf height is adjustable in 1-inch increments, allowing for customized storage configurations.
- **Tool-Free Assembly:** Designed for quick and easy assembly without the need for additional tools.
- **Adjustable Feet:** Equipped with adjustable feet to ensure stability on uneven surfaces.
- **Optional Mobility:** Can be fitted with casters (included components) for easy movement.

Components:

Please ensure all components are present before beginning assembly. Refer to the included parts diagram for identification.

- Shelf Panels (8 pieces)
- Upper Poles
- Middle Poles
- Lower Poles
- Plastic Clips (for shelf adjustment)
- Adjustable Leveling Feet
- Casters (optional, for mobility)
- Wall Anchors and Straps (for anti-tip device)



Figure 2: Product dimensions and scale.

3. SAFETY INFORMATION

- Do not exceed the maximum weight capacity of 800 pounds for the entire unit, or 150 pounds per individual shelf. Overloading can cause structural failure and injury.
- Ensure proper installation of all components to avoid hazards.
- For added stability, especially in areas with children or pets, utilize the provided wall anchors and straps to secure the shelving unit to a wall.

- Distribute weight evenly across shelves to prevent tipping.
- Keep small parts away from children during assembly.

4. SETUP AND ASSEMBLY

Assembly is designed to be tool-free and straightforward. It typically takes about 15-20 minutes.

Step-by-Step Instructions:

1. **Unpack Components:** Carefully remove all parts from the packaging. Verify that all poles (upper, middle, lower) and shelves are present, along with plastic clips, adjustable feet, and optional casters/wall anchors. Poles are typically labeled for easy identification.
2. **Attach Leveling Feet/Casters:** Screw the adjustable leveling feet into the bottom of the lower poles. If using casters, attach them instead of the leveling feet. Ensure they are securely tightened.
3. **Assemble Lower Poles:** Connect the lower poles to the middle poles, ensuring the connecting pieces are firmly pushed together until they click into place. Repeat for all four vertical supports.
4. **Install Plastic Clips:** Place the plastic clips around the poles at your desired height for the first shelf. Ensure the "TOP" arrow on each clip points upwards and that the clips are aligned at the same height on all four poles to ensure a level shelf.
5. **Place First Shelf:** Carefully slide the first shelf down over the poles until it rests securely on the plastic clips. Apply gentle pressure to ensure it is fully seated.
6. **Continue Assembling:** Repeat steps 4 and 5 for the remaining shelves, connecting middle poles to upper poles as needed to achieve the full height. Remember to align the plastic clips for each shelf at the desired height.
7. **Final Adjustments:** Once all shelves are in place, gently press down on each corner of the shelves to ensure they are firmly seated on the plastic clips. Adjust the leveling feet if the unit wobbles.

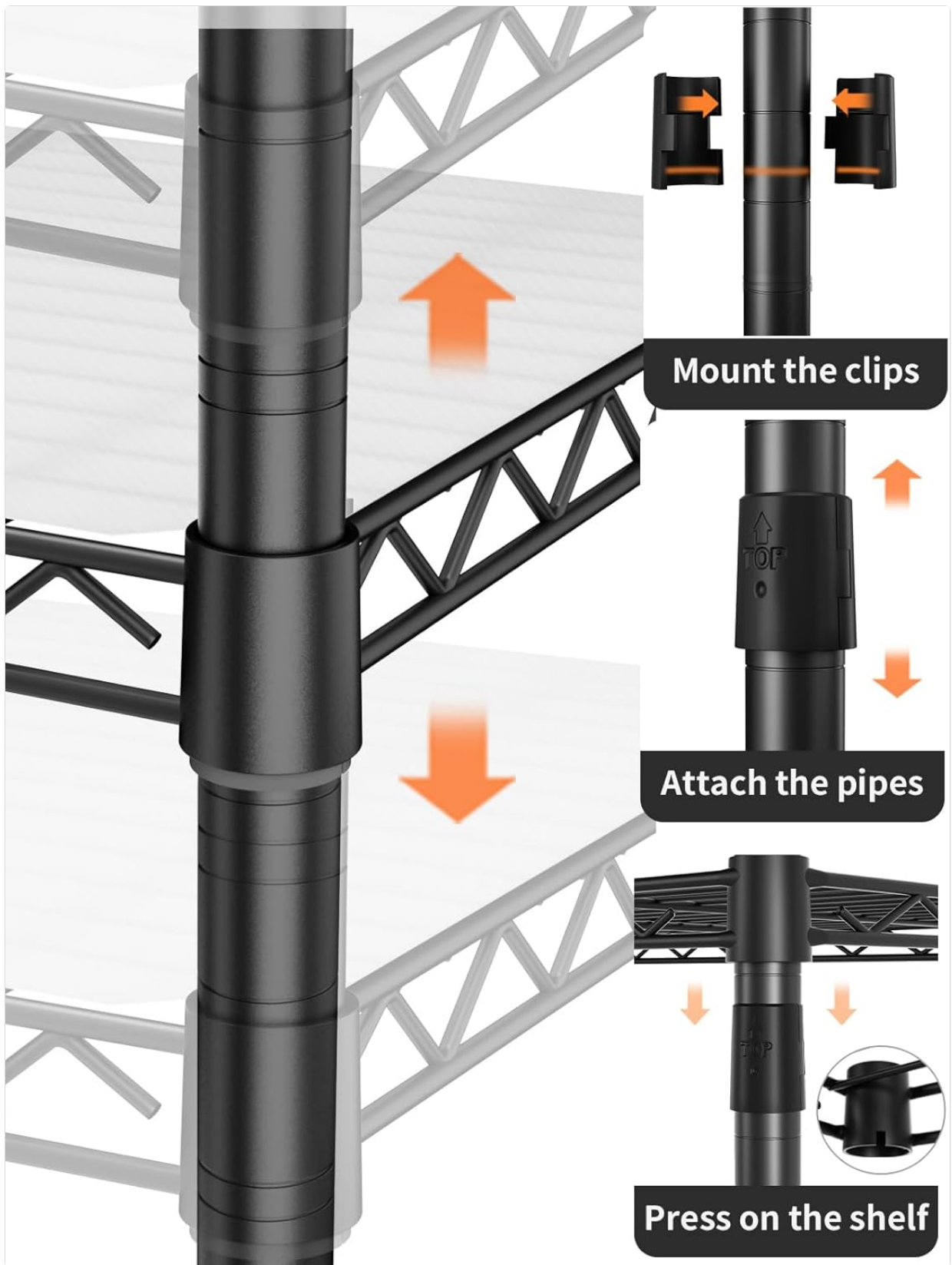


Figure 3: Visual guide for attaching clips and placing shelves.

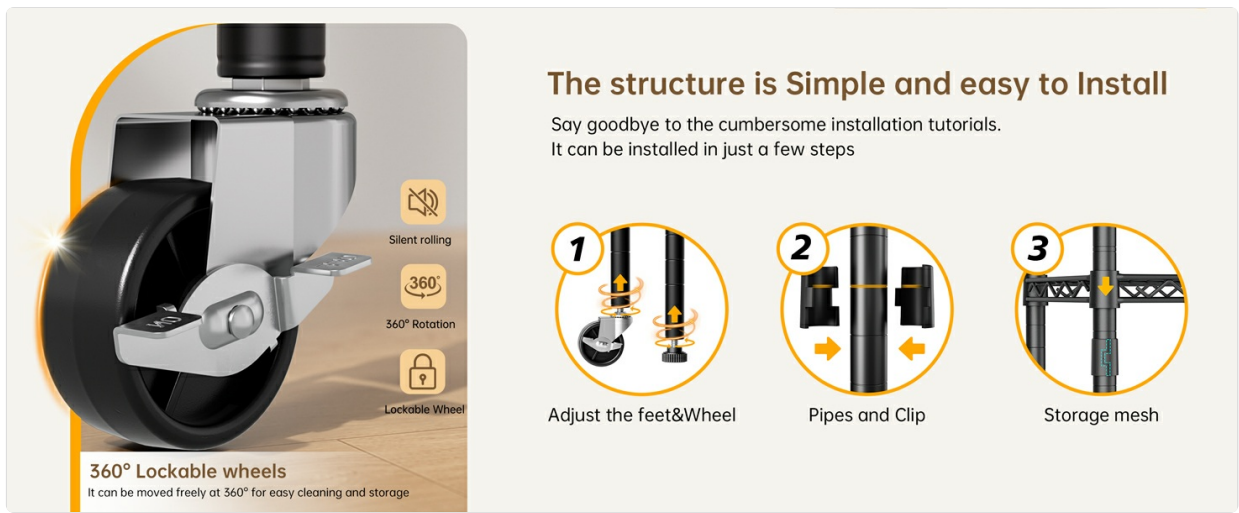


Figure 4: Detailed assembly steps including adjustable feet and pole connections.

5. OPERATING INSTRUCTIONS

Adjusting Shelf Height:

The shelves can be adjusted in 1-inch increments. To adjust a shelf:

1. Remove all items from the shelf you wish to adjust.
2. Lift the shelf off the plastic clips.
3. Remove the plastic clips from the poles.
4. Re-position the plastic clips at the new desired height, ensuring they are level on all four poles.
5. Place the shelf back onto the clips, pressing down firmly to secure it.

Using Casters (if installed):

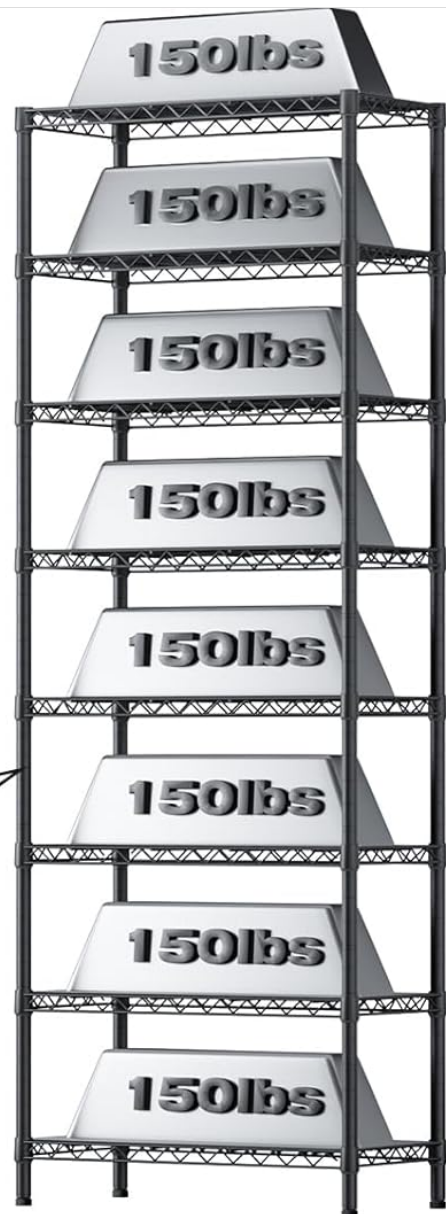
If you have installed the optional casters, you can easily move the shelving unit. Ensure the casters are unlocked before moving and locked once the unit is in its desired position to prevent accidental movement.

8

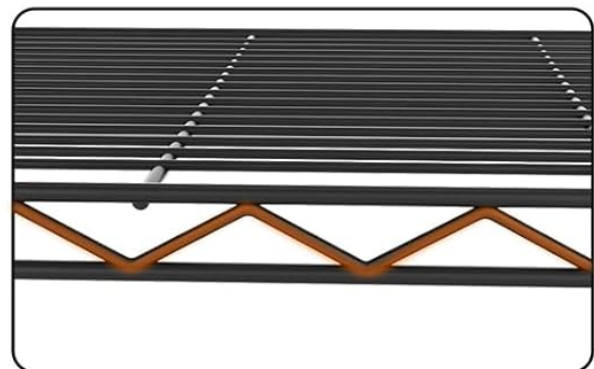
TIER
Wire Shelves

Each shelf holds up to
150 pounds

Total max load weight is
1200 pounds



Customize the leveling feet
to suit your requirements by
simply rotating them.



The V-shaped mesh,
professionally spot welded,
offers robust capacity.

Figure 5: Detail of shelf construction and optional plastic liners.

6. MAINTENANCE

- **Cleaning:** Wipe the shelves with a damp cloth. Avoid abrasive cleaners that could damage the protective coating.
- **Inspection:** Periodically check all connections and ensure that shelves are securely seated on their clips. Tighten adjustable feet or casters if necessary.

- **Corrosion:** The shelves are coated to resist rust and corrosion. If any damage to the coating occurs, address it promptly to prevent further deterioration.

7. TROUBLESHOOTING

Unit is Wobbly:

- Ensure the adjustable leveling feet are properly adjusted to compensate for uneven flooring.
- Verify that all pole connections are fully engaged and that shelves are firmly seated on their plastic clips.
- If using casters, ensure they are locked when the unit is stationary.

Missing Parts or Assembly Issues:

If you encounter missing parts or difficulties during assembly, please contact Golpart customer support. We provide the best solution within 24 hours. Please feel free to contact us via Buyer Message.

8. SPECIFICATIONS

Brand:	Golpart
Model:	9
Material:	Carbon Steel, Metal
Dimensions (D x W x H):	12"D x 22"W x 72"H
Number of Tiers:	8
Weight Capacity (Total):	800 lbs
Weight Capacity (Per Shelf):	150 lbs
Color:	Black
Assembly Required:	Yes (Tool-free)
Included Components:	Casters, Hardware, Rods

9. WARRANTY AND SUPPORT

For any questions, concerns, or assistance with your Golpart 8 Tier Adjustable Storage Shelves, please contact our customer support team. We are committed to providing the best solution within 24 hours.

Contact: Please reach out via Buyer Message on the platform where you purchased the product.

For information regarding returns, please refer to the return policy provided by your retailer. The standard return policy allows for returns within 30 days.