

[Manuals.plus](#) /

› [APEXCHASER](#) /

› APEXCHASER Ultra Thin Foldable Clothes Drying Rack Instruction Manual

## APEXCHASER Ultra Thin Drying Rack

# APEXCHASER Ultra Thin Foldable Clothes Drying Rack

Instruction Manual

## 1. PRODUCT OVERVIEW

---

The APEXCHASER Ultra Thin Foldable Clothes Drying Rack is designed for efficient and space-saving air drying of various garments. Its innovative design allows for enhanced drying capacity while maintaining a compact folded profile for easy storage.



Figure 1: APEXCHASER Ultra Thin Foldable Clothes Drying Rack in use.

## 2. SETUP AND ASSEMBLY

---

The APEXCHASER Ultra Thin Foldable Clothes Drying Rack arrives fully assembled and ready for immediate use. No tools or complex installation steps are required.

### 2.1 Unfolding the Drying Rack

1. Carefully remove the drying rack from its packaging.
2. Place the folded rack on a flat, stable surface.
3. Gently pull the two main frame sections apart until the rack forms a stable 'A' shape.
4. Extend the side wings outwards until they lock into position, creating the full drying surface.



Figure 2: Visual guide for unfolding the drying rack.

## 2.2 Folding for Storage

1. Ensure all garments are removed from the rack.
2. Gently push the side wings inwards until they are parallel with the main frame.
3. Bring the two main frame sections together until the rack is flat and compact.
4. The ultra-thin design allows for convenient storage in narrow spaces, such as beside a washing machine or in a closet.

# Ultra-thin model saves space



Figure 3: Folded drying rack stored next to a washing machine.

## 3. OPERATING INSTRUCTIONS

The APEXCHASER drying rack is designed for versatility and efficient air drying.

### 3.1 Utilizing Drying Space

- **Main Drying Rods:** Hang shirts, pants, dresses, and other garments over the main rods. The well-spaced design ensures optimal airflow for efficient drying.
- **Adjustable Wings:** The side wings can be adjusted to different angles to accommodate longer items or to create additional hanging space.
- **Sock Clips:** Integrated sock clips are provided for drying smaller items like socks and underwear, holding up to 28 socks.
- **Mesh Pocket:** A central mesh pocket offers a flat surface, ideal for drying delicate sweaters or garments that require flat drying to prevent stretching or distortion.
- **Drainage Shoe Rack:** The bottom section includes a dedicated rack for drying shoes, allowing for proper drainage and airflow.



**Super Sock Clip - holds up to 28 socks**

**Anti-Distortion-Sweater Mesh Pocket**



**Drainage Shoe Rack**

Figure 4: Detailed view of sock clips, mesh pocket, and shoe rack.

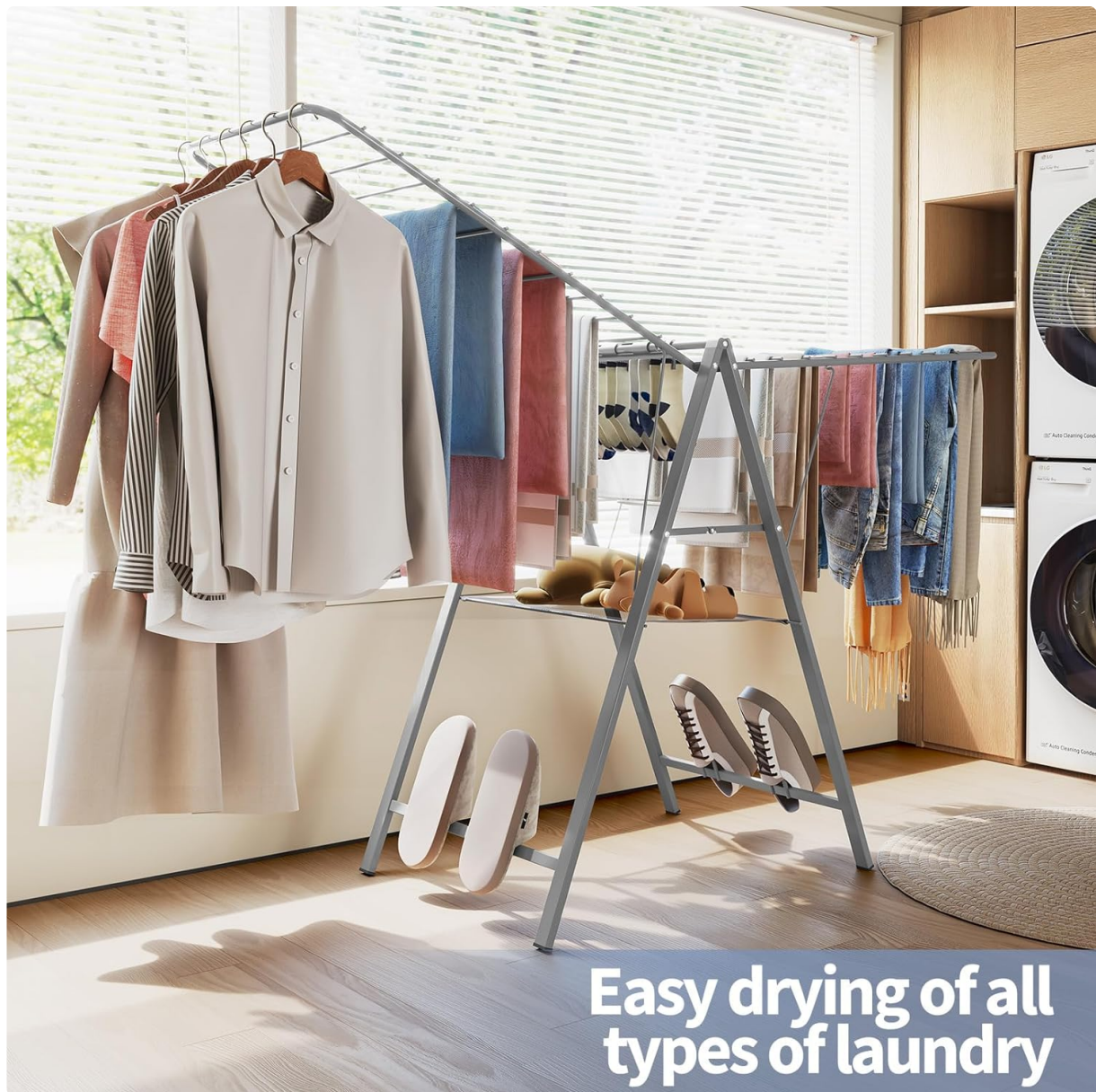


Figure 5: Rack demonstrating versatility for various laundry types.

### 3.2 Maximizing Drying Efficiency

- Distribute garments evenly across the rack to ensure balanced weight distribution and optimal airflow.
- For faster drying, place the rack in a well-ventilated area, such as near an open window or fan.
- Avoid overloading the rack to maintain stability and allow sufficient air circulation around each item.

## 4. MAINTENANCE

To ensure the longevity and optimal performance of your APEXCHASER drying rack, follow these simple maintenance guidelines:

- **Cleaning:** Wipe down the metal frame and plastic components with a damp cloth and mild detergent as needed. Avoid abrasive cleaners that may damage the finish.
- **Drying:** Ensure the rack is completely dry before folding and storing to prevent rust or mildew, especially if used outdoors or in humid environments.
- **Storage:** Store the folded rack in a dry, protected area when not in use to prevent exposure to extreme weather conditions.

- **Inspection:** Periodically check all joints and components for any signs of wear or damage.

## 5. TROUBLESHOOTING

---

If you encounter any issues with your drying rack, please refer to the following common solutions:

- **Rack is unstable:** Ensure the rack is fully unfolded and the side wings are securely locked into position on a flat, level surface. Distribute laundry evenly to prevent imbalance.
- **Difficulty folding/unfolding:** Check for any obstructions or misaligned parts. Apply gentle, even pressure when folding or unfolding. Do not force the mechanism.
- **Parts feel loose:** While the rack is designed for tool-free assembly, if any components feel unusually loose, inspect the connection points. If a part appears broken or defective, contact customer support.

## 6. SPECIFICATIONS

---

Feature	Detail
Brand	APEXCHASER
Model	Ultra Thin Drying Rack
Material	Metal
Color	Silver
Product Dimensions (Extended)	62.4"D x 17.32"W x 35.43"H (158.5 cm D x 44 cm W x 90 cm H)
Item Weight	10.68 pounds (4.84 kg)
Mounting Type	Floor Mount
Special Features	Adjustable Wings, Dust Resistant, Lightweight, Slip Resistant, Integrated Sock Clips, Mesh Pocket, Shoe Rack

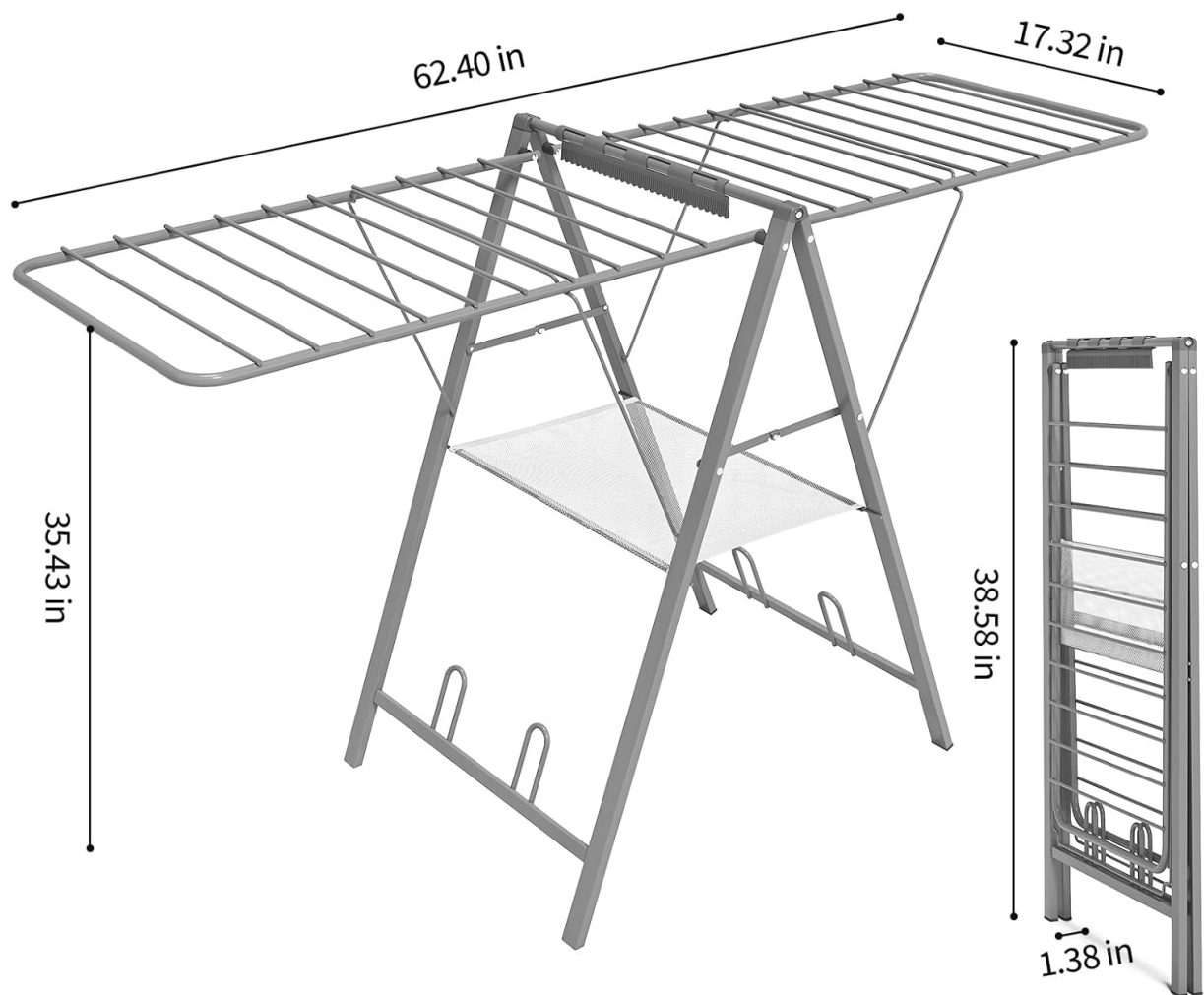


Figure 6: Product dimensions.

## 7. WARRANTY AND SUPPORT

APEXCHASER is committed to providing high-quality products and excellent customer service.

- **Return Policy:** We offer a 60-day free return policy from the date of purchase.
- **Problem Resolution:** We provide 12 months of support for problem resolution related to manufacturing defects or product performance issues.
- **Contact Support:** For any questions, concerns, or assistance, please contact APEXCHASER customer support through the retailer's platform or visit our official brand store.

### WHY CHOOSE US



Provide 60 day free return policy & 12 months problem solve issue.



Establish a scientific quality control plan and carefully monitor the quality of each product



With a professional R&D team of about 200 people, over 100 independent innovation patents.

Figure 7: APEXCHASER Customer Support Information.

