

[Manuals.plus](#) /

> [Broan-NuTone](#) /

> Broan-NuTone 80 CFM Bathroom Exhaust Fan and Heater with ENERLITES Double Paddle Switch User Manual

## Broan-NuTone 80 CFM No Light Fan and Heater + Decorator Switch

# Broan-NuTone 80 CFM Bathroom Exhaust Fan and Heater with ENERLITES Double Paddle Switch User Manual

Model: 80 CFM No Light Fan and Heater + Decorator Switch

## 1. INTRODUCTION

This manual provides instructions for the installation, operation, and maintenance of your Broan-NuTone 80 CFM Bathroom Exhaust Fan and Heater, bundled with an ENERLITES 15A 120-277VAC Double Paddle Light Switch. This system is designed to enhance comfort and air quality in bathrooms up to 75 square feet.



Image 1.1: Broan-NuTone 80 CFM Bathroom Exhaust Fan and Heater unit alongside the ENERLITES Double Paddle Light Switch.

### Key Features:

- **Fan and Heater Combo:** Provides 80 CFM ventilation at 1.5 sones for quiet operation and a 1300-watt heater for instant warmth.
- **Durable Construction:** Features rugged galvanized steel housing designed for continuous use in moist environments.
- **Decorative Grille:** Modern white grille design complements various bathroom decors.
- **Dual Paddle Switch:** Allows independent control of two fixtures from a single location, optimizing space.
- **Impact-Resistant Switch:** Constructed from durable polycarbonate and metal for longevity and smooth operation.

## 2. IMPORTANT SAFETY INFORMATION

---

Read and understand all instructions before beginning installation. Failure to follow these instructions may result in electric shock, fire, property damage, or personal injury.

- **WARNING:** To reduce the risk of fire, electric shock, or injury to persons, observe the following:
- Installation work and electrical wiring must be done by qualified person(s) in accordance with all applicable codes and standards, including fire-rated construction codes.
- Before servicing or cleaning the unit, switch power off at the service panel and lock the service disconnecting means to prevent power from being switched on accidentally.
- Use this unit only in the manner intended by the manufacturer. If you have questions, contact the manufacturer.
- Always disconnect power before installing or servicing the fan/heater or switch.
- Do not use this fan with any solid-state speed control device.
- This product is designed for indoor use only.

## 3. PACKAGE CONTENTS

---

Verify that all components are present and undamaged before proceeding with installation.

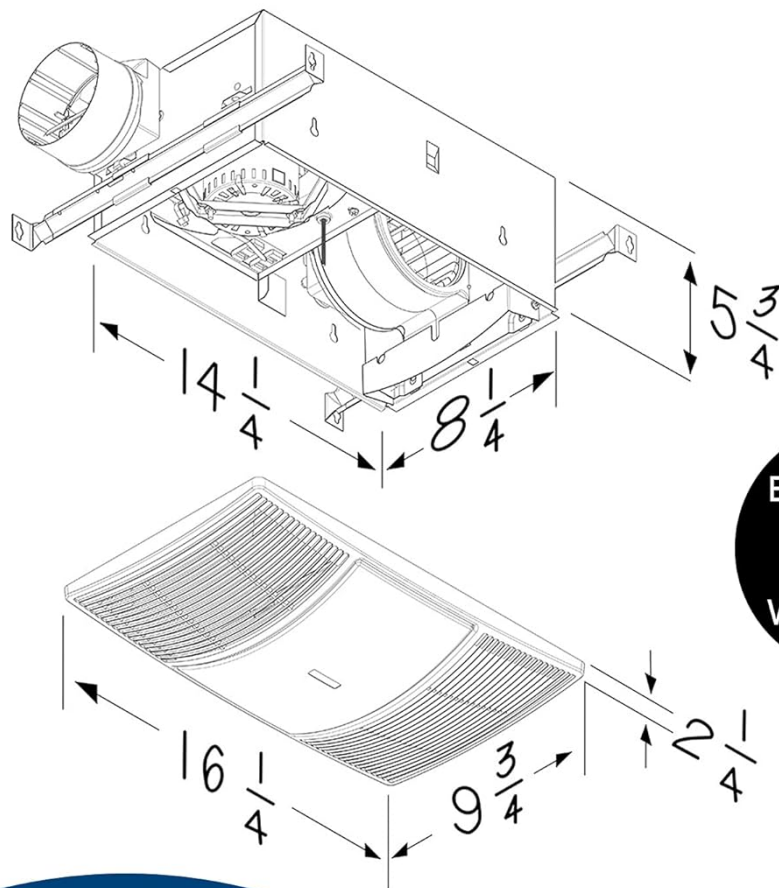
- Broan-NuTone 80 CFM Bathroom Exhaust Fan and Heater Unit
- ENERLITES 15A 120-277VAC Double Paddle Light Switch (White)
- Installation Hardware (screws, wire connectors, etc. - specific items may vary)
- Instruction Manual (this document)

## 4. SPECIFICATIONS

---

Detailed technical specifications for the Broan-NuTone Fan and Heater unit and the ENERLITES Switch.

# SPECIFICATIONS



**BROAN**  
**NuTone**  
COME HOME TO FRESH AIR

Image 4.1: Dimensional drawing and key specifications for the Broan-NuTone Fan and Heater unit.

## Broan-NuTone Fan and Heater Unit

Feature	Specification
Brand	Broan-NuTone
Air Flow Capacity	80 CFM (Cubic Feet Per Minute)
Noise Level	1.5 Sones
Heater Wattage	1300 Watts
Voltage	120 Volts AC
Room Type	Bathroom (up to 75 sq. ft.)
Finish Type	Painted
Control Method	Touch (via external switch)

Feature	Specification
Certification	UL Listed

### ENERLITES Double Paddle Light Switch

Feature	Specification
Amperage	15 Amps
Voltage Range	120-277VAC
Switch Type	Double Paddle (Single Pole)
Material	Durable Polycarbonate and Metal
Width	34mm (narrow design)
Certification	UL Listed

## 5. INSTALLATION

**IMPORTANT:** All electrical wiring must be performed by a qualified electrician and comply with all local and national electrical codes. Ensure power is disconnected at the circuit breaker before starting any installation work.

### 5.1. Broan-NuTone Fan and Heater Unit Installation

- 1. Prepare the Opening:** Create a ceiling opening of appropriate size (refer to Image 4.1 for dimensions). Ensure there is sufficient space in the attic or ceiling cavity for the unit and ductwork.
- 2. Mount the Housing:** Secure the galvanized steel housing to ceiling joists or suitable framing using appropriate fasteners. Ensure the unit is level.
- 3. Connect Ductwork:** Attach the appropriate size duct (typically 4-inch round) to the fan's exhaust collar. Seal all duct connections with duct tape or mastic to prevent air leakage. Route the duct to an exterior vent cap.
- 4. Electrical Wiring:** Route electrical supply wires (typically 12 AWG for the heater circuit and 14 AWG for the fan circuit, consult local codes) to the unit's junction box. Connect wires according to the wiring diagram provided with the unit. The heater requires a dedicated 20A circuit.
- 5. Install Grille:** Once wiring is complete and tested, secure the decorative white grille to the fan housing.

### 5.2. ENERLITES Double Paddle Switch Installation

This switch is designed for single-pole applications, controlling two separate fixtures from one location.



## **EASY ACCESS SOLUTION** Use in limited space setups for convenient access

Image 5.1: The ENERLITES double paddle switch offers a compact solution compared to traditional switches, ideal for limited space.

1. **Disconnect Power:** Turn off power at the circuit breaker for the switch location.
2. **Remove Old Switch (if applicable):** Carefully remove the existing switch from the wall box.
3. **Wire Connections:** Connect the line (hot) wire to the common terminal of the ENERLITES switch. Connect the load wires for the fan and heater (or other fixtures) to the respective output terminals on the switch. Ensure all connections are secure.
4. **Mount Switch:** Carefully fold wires into the wall box and secure the switch to the box with mounting screws.
5. **Install Wall Plate:** Attach a standard decorator wall plate (not included) over the switch.



**SAVE SPACE** Two rocker switches in place of one

Image 5.2: Illustration of the ENERLITES double paddle switch controlling two separate functions, such as a fan and a light.

## 6. OPERATION

Once installed and power is restored, operate the fan and heater using the ENERLITES Double Paddle Switch.

# EFFICIENT

PowerHeat™ Fan Helps Control Air Quality and Operates at 80 CFM with 1.5 Sones of Quiet Operation



Image 6.1: The Broan-NuTone unit features an 80 CFM fan and a 1300-watt heater for efficient air movement and instant warmth.

- **Fan Operation:** Press the designated paddle on the ENERLITES switch to turn the exhaust fan ON or OFF. The fan will remove moisture and odors from the bathroom.
- **Heater Operation:** Press the other paddle on the ENERLITES switch to turn the 1300-watt heater ON or OFF. The heater provides supplemental warmth to the bathroom.
- The smooth paddle design of the switch prevents accidental activation and provides reliable control.

## 7. MAINTENANCE

Regular maintenance ensures optimal performance and longevity of your fan and heater unit.

### 7.1. Cleaning the Grille and Fan/Heater Unit

1. **Disconnect Power:** Always turn off power at the circuit breaker before cleaning.
2. **Remove Grille:** Gently pull down the grille to detach it from the housing.
3. **Clean Grille:** Wash the grille in warm, soapy water. Rinse thoroughly and dry completely before reinstallation.
4. **Clean Fan/Heater Interior:** Use a vacuum cleaner with a brush attachment to remove dust and debris from

the fan blades, motor, and heater element. Do not use water or liquid cleaners directly on electrical components.

5. **Reinstall Grille:** Once clean and dry, reattach the grille to the housing.

## 7.2. Switch Maintenance

The ENERLITES switch requires minimal maintenance. Periodically wipe the surface with a soft, damp cloth to remove dust or smudges. Do not use abrasive cleaners.

## 8. TROUBLESHOOTING

If you experience issues with your Broan-NuTone Fan and Heater or ENERLITES Switch, refer to the following common problems and solutions.

Problem	Possible Cause	Solution
Fan/Heater does not operate	No power supply Loose wiring connection Tripped circuit breaker	Check circuit breaker and reset if tripped. Ensure power is ON. Verify all wiring connections are secure (consult a qualified electrician).
Fan operates, but heater does not	Heater element failure Separate heater circuit issue	Contact customer support for assistance. Ensure the heater circuit breaker is not tripped.
Excessive noise from unit	Loose mounting Dirty fan blades Motor issue	Ensure the unit is securely mounted to the ceiling joists. Clean fan blades as described in the Maintenance section. If noise persists, contact customer support.
Switch does not control fixtures	Incorrect wiring Faulty switch	Verify wiring connections according to the installation instructions (consult a qualified electrician). If wiring is correct, the switch may need replacement.

If troubleshooting steps do not resolve the issue, contact customer support.

## 9. WARRANTY INFORMATION

This Broan-NuTone product is backed by a **Limited 1-Year Warranty**. This warranty covers defects in materials and workmanship under normal use and service. For specific terms, conditions, and limitations of the warranty, please refer to the documentation included with your product or contact Broan-NuTone customer service.

## 10. CONTACT AND SUPPORT

For technical assistance, warranty claims, or to order replacement parts, please contact Broan-NuTone customer support.

**Website:** Visit the official Broan-NuTone website for support resources and contact information.

**Phone:** Refer to your product packaging or the Broan-NuTone website for the most current customer service phone numbers.

When contacting support, please have your product model number (80 CFM No Light Fan and Heater + Decorator Switch) and purchase date available.