

TUOPUONE 7inch USB Monitor B

TUOPUONE 7 Inch USB Monitor Instruction Manual

Model: 7inch USB Monitor B

1. INTRODUCTION

The TUOPUONE 7 Inch USB Monitor is an All-In-One (AIO) LCD screen designed for use as a PC case secondary display or a desktop ambient screen. It features a 1024x600 resolution IPS panel, a music spectrum analysis function, and a convenient Type-C interface. The monitor is housed in a durable CNC metal case, offering a robust and high-quality build. It provides real-time monitoring of various system data and supports dynamic theme customization through self-developed software.

2. FEATURES

- **Music Spectrum Analysis:** Supports analysis of WAV audio files and microphone audio capture for dynamic visual effects.
- **Dynamic Video Background:** Built-in high-performance processor enables UI and video background integration.
- **Self-Developed Software:** User-friendly software with a clear interface, supporting one-click operation, light and dark theme switching, and automatic startup on boot.
- **Visual Theme Editor:** Provides an easy-to-use editor for real-time theme layout editing and preview.
- **Real-Time Data Monitoring:** Displays CPU, graphics card, memory, hard disk drive, network usage, and other system information (board model, city, weather, date, time, volume).
- **CNC Integrated Process:** Features an aluminum alloy case for enhanced rigidity and durability.
- **Type-C One-Cable Connection:** Simplifies setup by using a single USB Type-C cable for both power supply and data transmission, without occupying graphics card resources.
- **No Impact on Computer Performance:** Designed to use minimal GPU resources and not slow down computer performance.
- **No Impact on Computer Operation:** Recognized as a USB device, preventing mouse movement to this screen.



Figure 2.1: Overview of monitor features and connectivity options.

3. PACKAGE CONTENTS

Please verify that all items listed below are included in your package:

1. 7inch USB Monitor B x1
2. H7 angle bracket (with screws) x2
3. Round double-sided tape (diameter 50mm) x2
4. 4GB TF card x1
5. 9PIN to 4PIN USB cable (~1m) x1
6. USB Type-A to Type-C cable (~1m) x1

CNC Integrated Process
Adopts An Aluminum Alloy Case, Rigid And Durable, Improving The Overall Quality

Aluminum alloy CNC integrated case

Anodized surface process

Dynamic Video Background
Built In High-Performance Processor To Realize UI + Video Background

Supports Music Spectrum Analysis Function
Supports WAV Audio File Analysis And Microphone Capture

1. **Wav Audio Analysis**
Set the audio data source to "wav file", then select .wav audio file, the software will automatically analyze the audio file and transform into a music spectrum theme.

2. **Microphone Audio Capture**
Set the audio data source to "audio mic", and the microphone will capture nearby audio signals and transform them into the spectrum of the theme.

Various Data Monitoring

- CPU**
Usage / Mode / Temperature
Voltage / Frequency / Fan
- Graphics Card**
Usage / Power Consumption / Model / Fan
Frequency / Temperature / Water Pump Fan
- Memory**
Usage / Model / Name
Available Memory / Used memory
- Hard Disk Drive**
Partition Utilization / Temperature
- Network**
Upload Speed / Download Speed
- Others**
Board Model / City / Weather / Date
Time / Volume

Provides Self-Developed Software
Supports One-Click Operation

Easy To Use Without Complicated Operation, Clear UI Interface
Supports Light & Dark Color Theme Switching

Visual Theme Editor
Easy To Operate, Edit And Preview The Theme Layout In Real-Time

Interface Introduction

M4 Mounting Holes

TF Card Slot

Type-C Port

Microphone Hole

Type-C Port

4PIN Interface

Figure 3.1: Front and back views of the TUOPUONE 7 Inch USB Monitor.

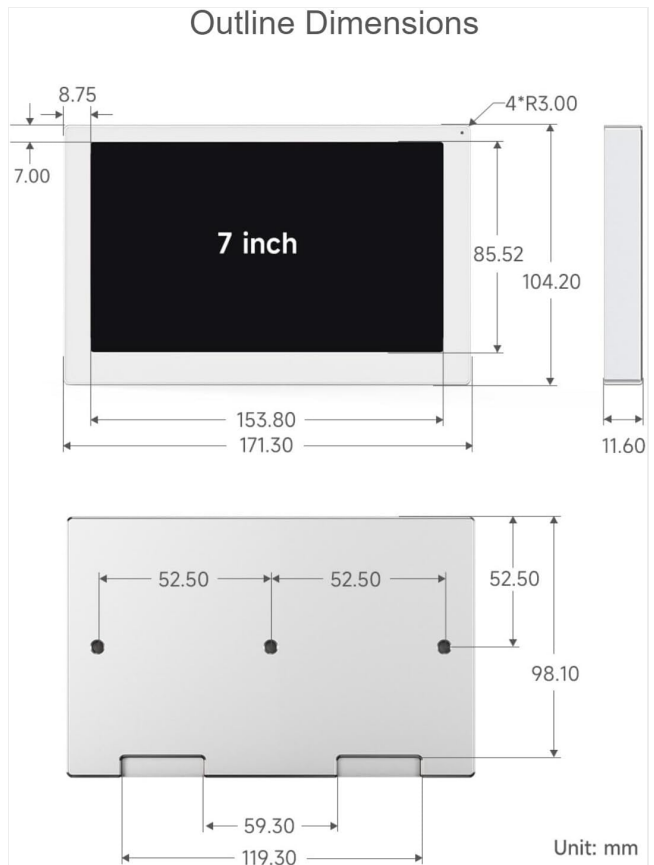


Figure 3.2: Examples of the monitor installed in a PC case and on a desktop.

4. SETUP INSTRUCTIONS

The TUOPUONE 7 Inch USB Monitor can be set up as a PC Case Monitoring Screen or a Desktop Side Monitor. Follow the instructions below for your desired configuration.

4.1. PC Case Monitoring Screen Setup

1. **Install the Screen:** Use the provided angle bracket and screws to securely install the monitor to a fan mount point within your PC case.
2. **Connect to Host:** Connect the screen to the USB 9PIN header of your host computer using the supplied 9PIN to 4PIN USB cable. Ensure the 4PIN interface of the screen is connected to the cable, and the 9PIN header connects to your motherboard.

4.2. Desktop Side Monitor Setup

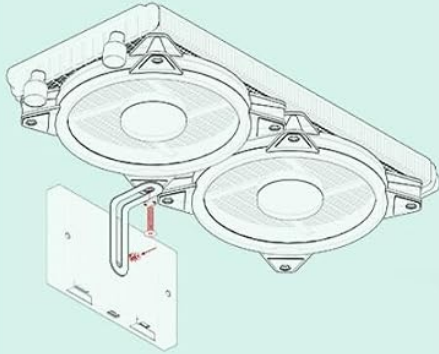
1. **Placement:** Place the USB screen directly on your desktop in the desired location.
2. **Connect to Host:** Connect the screen to a USB port on your host computer using the supplied USB Type-A to Type-C cable. The Type-C port of the screen connects to the cable, and the Type-A end connects to your computer's USB port.

How To Install

PC Case Monitoring Screen

1

Install the screen to the fan via the angle bracket and screws



2

Connect to the USB 9PIN header of the host via 9PIN to 4PIN USB cable



4PIN interface of the screen



9PIN header of the host



Desktop Side Monitor

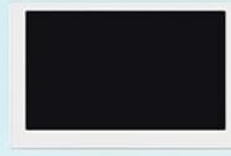
1

Place the USB screen directly on the desktop



2

Connect to the USB port of the host via Type-C to USB cable



Type-C port of the screen



USB port of the host



Figure 4.1: Monitor with cables connected.



Figure 4.2: Installation guide for PC case and desktop configurations.

Note: The USB Monitor series currently supports NVIDIA and AMD discrete graphics cards, as well as Intel and AMD integrated graphics cards.

5. OPERATING INSTRUCTIONS

After connecting the monitor, install the provided software from the 4GB TF card to utilize its full functionality.

5.1. Software Installation and Initial Setup

1. Insert the 4GB TF card into your computer or use a card reader.
2. Locate and run the installation file for the TUOPUONE monitor software.
3. Follow the on-screen prompts to complete the software installation.
4. Once installed, launch the software. Ensure the monitor is connected to your host computer.
5. Click 'Run' within the software to activate the display.

5.2. Theme Management and Customization

- **Theme Switching:** The software allows for one-click switching between various pre-loaded themes.
- **Visual Theme Editor:** Use the integrated visual editor to customize theme layouts. This editor supports real-time preview of changes.
- **Dynamic Video Background:** Configure dynamic video backgrounds through the software.
- **Light & Dark Color Themes:** The software interface supports switching between light and dark color themes for user preference.

5.3. Music Spectrum Analysis Function

The monitor supports two methods for music spectrum analysis:

1. **WAV Audio File Analysis:** Set the audio data source to a '.wav' file within the software. The software will automatically analyze the audio file and transform it into a music spectrum theme.
2. **Microphone Audio Capture:** Set the audio data source to 'audio mic'. The onboard microphone will capture nearby audio signals and transform them into the spectrum of the theme.



Figure 5.1: Software interface for theme customization and music spectrum settings.

5.4. Data Monitoring

The monitor can display various real-time data from your computer:

- **CPU:** Usage, model, temperature, voltage, frequency, fan speed.
- **Graphics Card:** Usage, power consumption, model, fan speed, temperature, water pump fan speed.
- **Memory:** Usage, model, name, available memory, used memory.
- **Hard Disk Drive:** Partition utilization.
- **Network:** Upload speed, download speed.
- **Others:** Board model, city, weather, date, time, volume.



Figure 5.2: Monitor displaying various system data.

6. MAINTENANCE

To ensure the longevity and optimal performance of your TUOPUONE 7 Inch USB Monitor, follow these maintenance guidelines:

- **Cleaning:** Use a soft, dry, lint-free cloth to gently wipe the screen and casing. For stubborn smudges, slightly dampen the cloth with water or a screen-safe cleaning solution. Avoid harsh chemicals, abrasive cleaners, or sprays directly on the screen.
- **Storage:** When not in use for extended periods, store the monitor in a cool, dry place away from direct sunlight and extreme temperatures.
- **Handling:** Handle the monitor with care to avoid dropping or impacting it, which could damage internal components or the screen.
- **Ventilation:** Ensure proper airflow around the monitor, especially if installed inside a PC case, to prevent overheating.
- **Software Updates:** Periodically check for software updates from the manufacturer to ensure compatibility and access to new features or bug fixes.

7. TROUBLESHOOTING

If you encounter issues with your TUOPUONE 7 Inch USB Monitor, refer to the following common troubleshooting steps:

- **No Display/Black Screen:**
 - Ensure the USB cable is securely connected to both the monitor and the computer.
 - Try connecting the monitor to a different USB port on your computer.
 - Verify that the monitor software is running and the 'Run' button has been clicked.
 - Restart your computer.
- **Software Not Detecting Monitor:**
 - Reinstall the monitor software from the provided TF card or the manufacturer's website.
 - Check your computer's Device Manager to see if the USB device is recognized.
 - Ensure your operating system is up to date.
- **Incorrect Data Display:**
 - Ensure the monitor software is configured correctly to pull data from your system.
 - Verify that all necessary drivers for your system components (CPU, GPU) are installed and up to date.
- **Music Spectrum Not Working:**
 - Check the audio source settings in the monitor software (WAV file path or microphone selection).
 - Ensure your microphone is functioning correctly if using audio capture.
 - Verify that the audio output from your computer is active.

If these steps do not resolve your issue, please contact TUOPUONE customer support for further assistance.

8. SPECIFICATIONS

Brand	TUOPUONE
Model Number	7inch USB Monitor B
Screen Size	7 Inches
Display Resolution Maximum	1024x600
Native Resolution	1024x600

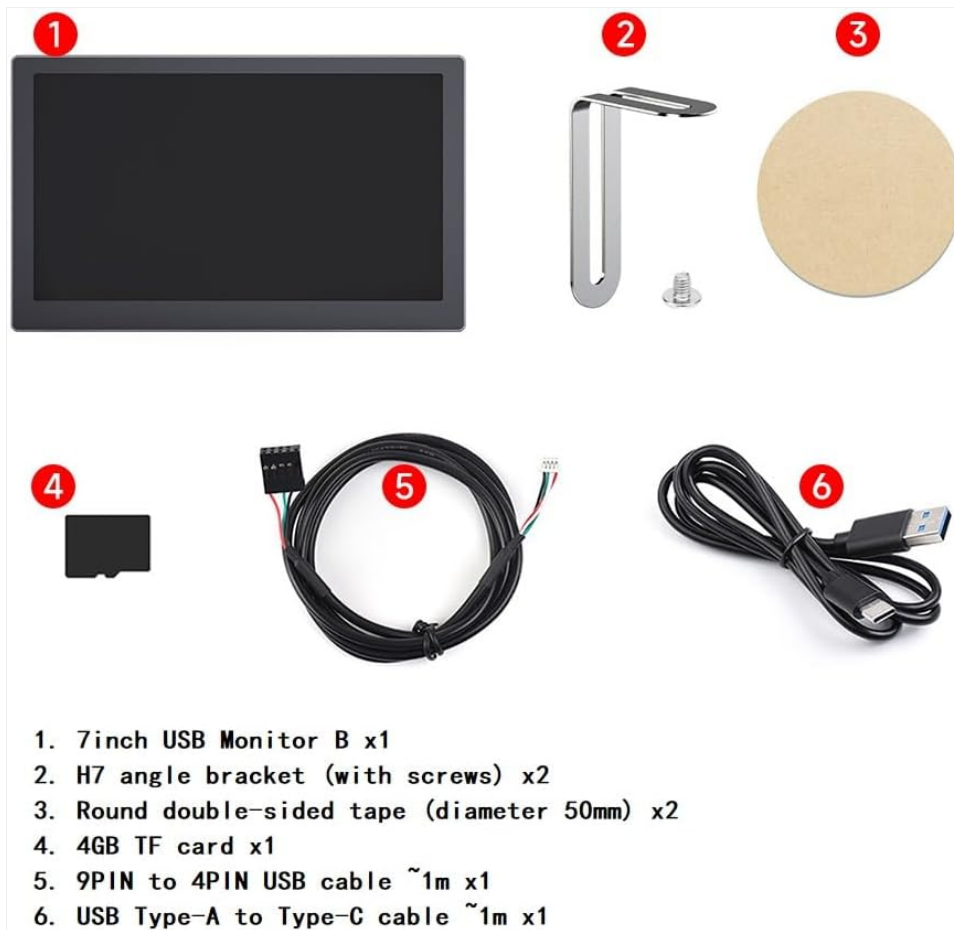


Figure 8.2: Outline dimensions of the monitor.

9. WARRANTY AND SUPPORT

For warranty information, technical support, or any inquiries regarding your TUOPUONE 7 Inch USB Monitor, please refer to the documentation included with your product or visit the official TUOPUONE website. You may also contact TUOPUONE customer service directly through their official channels for assistance.