

KINKUNCO h1

KINKUNCO Sliding Coffee Table User Manual

Model: h1
Brand: KINKUNCO

1. PRODUCT OVERVIEW

The KINKUNCO Sliding Coffee Table is a versatile and modern furniture piece designed to enhance your living space. Its innovative sliding top allows for adjustable length, making it ideal for various occasions from daily use to entertaining guests. This table also features ample storage solutions, including hidden compartments, open shelves, and a convenient drawer, helping to keep your living area organized and tidy.

Key features include:

- **Expandable Design:** The tabletop extends from 85cm to 118cm, providing flexible space.
- **Generous Storage:** Features a spacious countertop, two open storage shelves, one hidden drawer, and a sunken cabinet (49x45x20.5cm).
- **Durable Construction:** Made from density board, ensuring stability and a large load capacity.
- **Easy Mobility:** Designed for smooth sliding, allowing for convenient repositioning.
- **Simple Assembly:** Comes with an assembly guide for straightforward setup.



Image 1.1: The KINKUNCO Sliding Coffee Table in a contemporary living room, highlighting its sleek black finish and integrated storage.

2. COMPONENTS AND PARTS LIST

Before beginning assembly, please ensure all components listed below are present and undamaged. Refer to the included Assembly Guide for detailed part identification.

- Main Tabletop Panel (Sliding Section)
- Fixed Base Panel
- Side Panels (Left and Right)
- Bottom Panel
- Drawer Components (Front, Back, Sides, Bottom)
- Drawer Slides (Left and Right)
- Shelf Panels (for open storage)

- Hidden Compartment Base and Side Panels
- Assembly Hardware (screws, dowels, cam locks, etc.)
- Assembly Guide



Image 2.1: Detailed view of the coffee table's internal structure, illustrating the spacious tabletop, two-tier shelves, and a push-pull drawer. The image also highlights the 15mm particle board surface and the sliding rail mechanism.

3. SETUP AND ASSEMBLY INSTRUCTIONS

Assembly of the KINKUNCO Sliding Coffee Table is designed to be straightforward. Please follow the steps outlined in the included Assembly Guide for the most accurate and efficient setup. Ensure you have a clear, spacious area for assembly and the necessary tools (typically a screwdriver).

1. **Unpack Components:** Carefully remove all parts from the packaging and lay them out on a soft, clean surface to prevent scratches. Verify all parts against the parts list in your Assembly Guide.
2. **Assemble Base Structure:** Begin by connecting the main base panels according to the guide, using the

provided hardware.

3. **Install Shelves and Drawer Mechanism:** Attach the two-tier shelves and install the drawer slides onto the designated panels.
4. **Assemble Drawer:** Construct the drawer box using its individual components and attach the drawer front. Insert the assembled drawer into its slides.
5. **Attach Sliding Top Mechanism:** Secure the sliding rails to the main tabletop panel and the corresponding base structure.
6. **Final Assembly:** Carefully place the sliding tabletop onto the installed rails, ensuring smooth movement.
7. **Check Stability:** Once assembled, gently shake the table to ensure all connections are secure and the table is stable.

For detailed diagrams and step-by-step visuals, refer to the "Assembly Guide" included in your package.

4. OPERATING INSTRUCTIONS

4.1. Extending and Retracting the Tabletop

The KINKUNCO Sliding Coffee Table features an expandable tabletop for increased surface area when needed.

- **To Extend:** Gently push the sliding section of the tabletop outwards. The table will extend smoothly along its rails from 85cm to up to 118cm.
- **To Retract:** Gently push the sliding section back towards the fixed base until it is fully closed.

Ensure no objects are obstructing the sliding mechanism during operation.

4.2. Utilizing Storage Compartments

This coffee table offers multiple storage options:

- **Hidden Compartment:** When the tabletop is in its retracted position, a large hidden compartment is accessible beneath the sliding section. This is ideal for storing items you wish to keep out of sight, such as blankets, board games, or larger electronics.
- **Open Storage Shelves:** Two tiers of open shelves are located on one side of the table, perfect for displaying decorative items, books, or magazines.
- **Push-Pull Drawer:** A convenient drawer provides additional enclosed storage for smaller items like remote controls, coasters, or stationery.



Image 4.1: The coffee table in its extended configuration, showcasing the hidden storage compartment and the accessible pull-out drawer. This view demonstrates the table's versatility for both display and concealed storage.

5. MAINTENANCE

Proper care and maintenance will ensure the longevity and appearance of your KINKUNCO Sliding Coffee Table.

- **Cleaning:** Wipe the surface with a soft, damp cloth. Avoid using harsh chemicals, abrasive cleaners, or polishes that may damage the finish.
- **Spills:** Immediately wipe up any spills to prevent staining or damage to the density board material.
- **Heat and Moisture:** Avoid placing hot items directly on the surface. Use coasters for drinks and placemats for hot dishes. Protect the table from excessive moisture.
- **Sliding Mechanism:** Periodically check the sliding rails for any debris. If the sliding action becomes stiff, gently clean the rails. Do not apply oil or grease unless specifically recommended by the manufacturer.
- **Hardware:** Periodically check and tighten any loose screws or fittings to maintain stability.
- **Sunlight Exposure:** Avoid prolonged exposure to direct sunlight, which can cause fading or discoloration over time.

6. TROUBLESHOOTING

If you encounter any issues with your coffee table, refer to the following common problems and solutions:

Problem	Possible Cause	Solution
Tabletop does not slide smoothly.	Debris in rails, misaligned rails, or loose hardware.	Clean the sliding rails of any dust or debris. Check if the rails are properly aligned and all screws securing them are tight.
Table feels wobbly or unstable.	Loose assembly hardware.	Inspect all connections and tighten any loose screws or cam locks. Ensure the table is on a flat, even surface.
Drawer is difficult to open or close.	Misaligned drawer slides or obstruction.	Check if the drawer slides are correctly installed and aligned. Remove any items that might be obstructing the drawer's movement.
Surface scratches or minor damage.	Impact or abrasive cleaning.	For minor scratches, a furniture repair pen or wax stick matching the color may be used. Avoid abrasive materials for cleaning.

7. PRODUCT SPECIFICATIONS

Feature	Detail
Brand	KINKUNCO
Model Name	h1
Product Dimensions (D x W x H)	17.72"D x 46.46"W x 18.11"H (Extended length up to 118cm / 46.46")
Color	Black
Material Type	Density Board
Shape	Rectangular
Number of Drawers	1
Included Components	Assembly Guide
UPC	639394678771
ASIN	B0D4YDBV2N

TAMAÑO DEL PRODUCTO

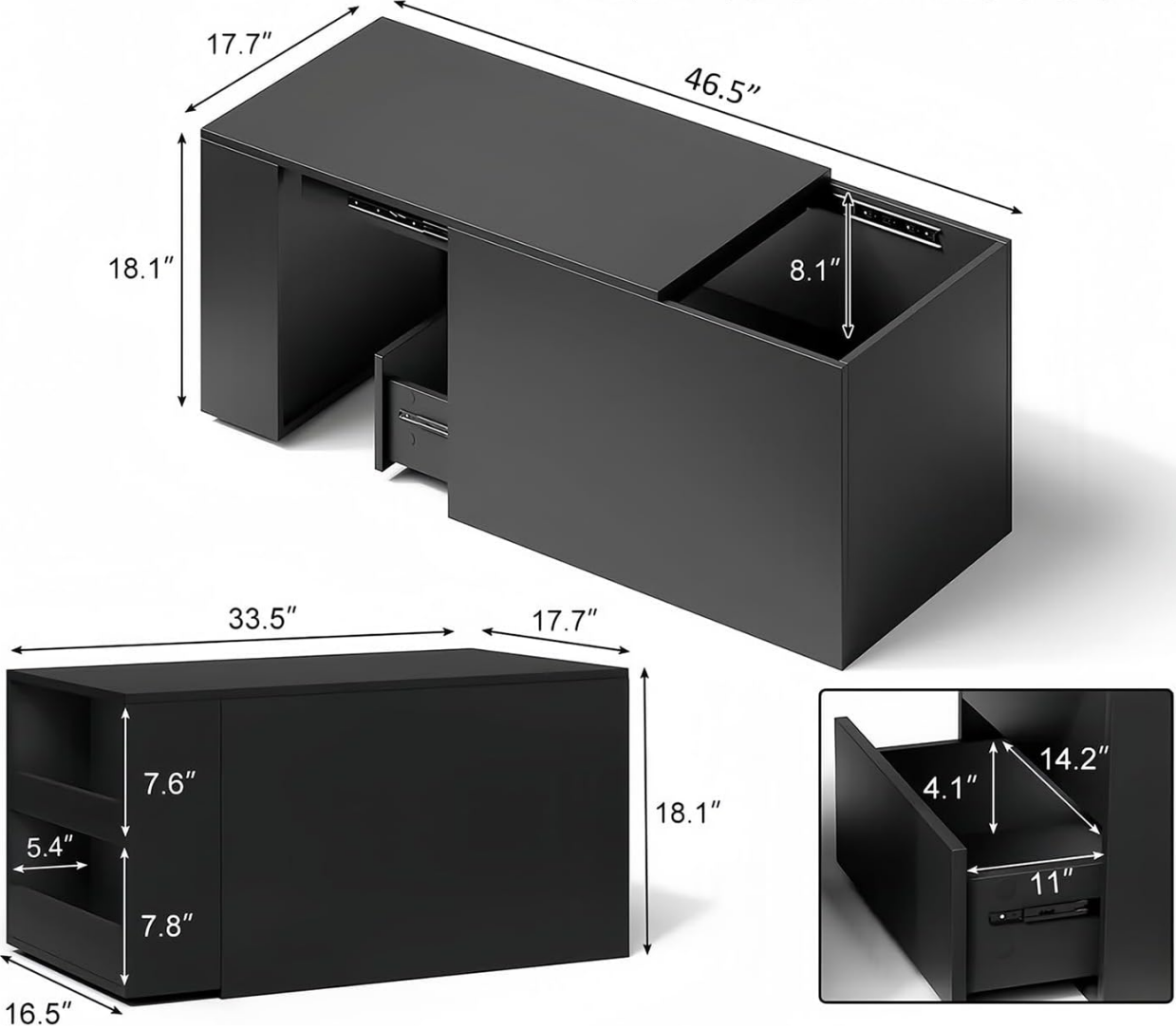


Image 7.1: Comprehensive dimensional drawing of the coffee table, indicating measurements in inches for the overall structure, open shelves, hidden compartment, and drawer.

EQUIPADO CON TABIQUES
PARA AUMENTAR EL ESPACIO.



CAJONES INCORPORADOS
PARA ALMACENAMIENTO.

Image 7.2: The KINKUNCO coffee table in a living room, demonstrating its closed configuration and the accessibility of the side shelves. This image highlights the table's ability to blend into various home decors while offering practical storage.

8. CUSTOMER SUPPORT

If you have any questions, require assistance with assembly, or encounter issues not covered in this manual, please contact KINKUNCO customer service.

Refer to your purchase documentation or the product listing on Amazon for specific contact information or visit the KINKUNCO brand store.

For online support, you may find helpful resources on the product's Amazon page:

<https://www.amazon.com/dp/B0D4YDBV2N>