



[Manuals.plus](#) /

› [Zunate](#) /

› Zunate WiFi Bicycle Action Camera User Manual

Zunate Zunatehizs3ouytc

Zunate WiFi Bicycle Action Camera User Manual

Model: Zunatehizs3ouytc | Brand: Zunate

INTRODUCTION

Thank you for choosing the Zunate WiFi Bicycle Action Camera. This compact and versatile 1080P sports camera is designed for outdoor enthusiasts, offering high-definition video recording with a 120° wide-angle lens. Its waterproof design makes it suitable for various activities such as cycling, mountain biking, and road biking. This manual provides detailed instructions on how to set up, operate, and maintain your camera to ensure optimal performance.

PACKAGE CONTENTS

Please check the package contents upon opening to ensure all items are present:

- 1 x Zunate Bicycle Camera
- 1 x Handlebar Mount
- 1 x Charging Cable
- 1 x User Manual
- 1 x Base Mount
- 2 x Fixing Parts



Figure 1: All components included in the Zunate Bicycle Camera package.

PRODUCT FEATURES

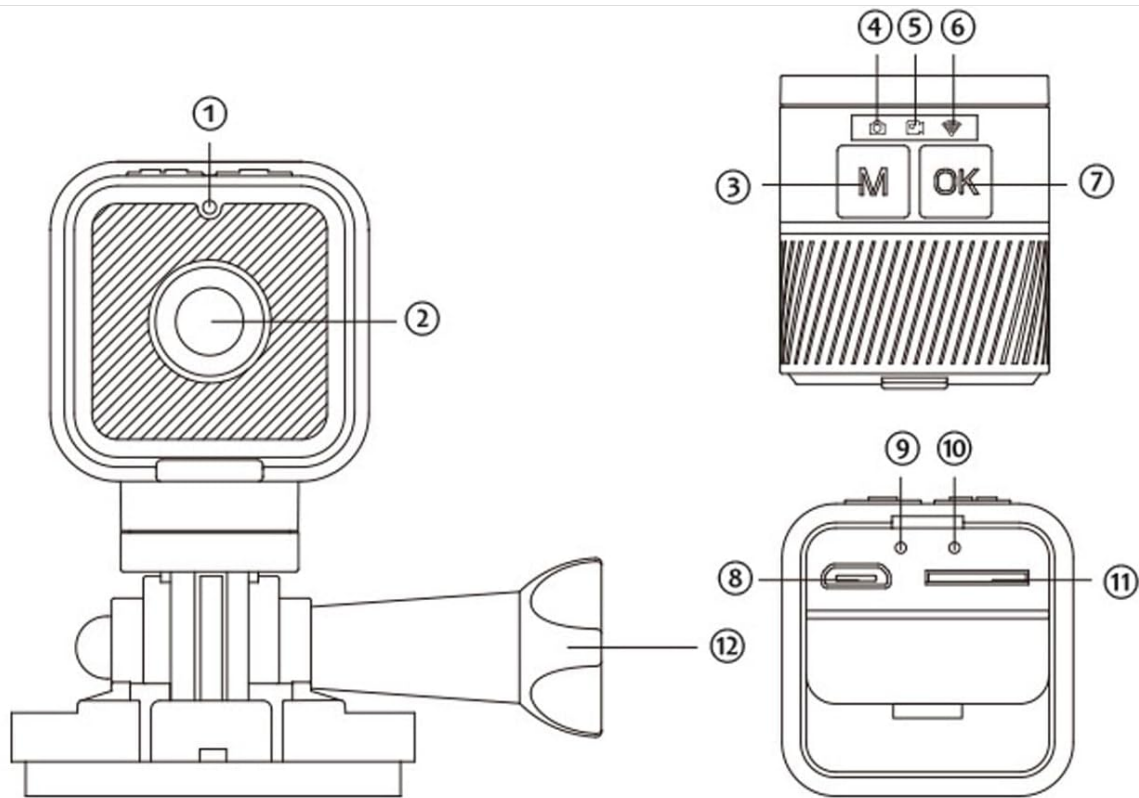
- **1080P HD Recording:** High-definition lens with a large sensor for superior image quality and electronic image stabilization for stable footage.
- **120-Degree Wide Angle:** Captures a broader field of view.
- **Waterproof Design:** Fully wrapped ABS body effectively resists rain and splashes, suitable for outdoor use.
- **Real-time WiFi Interconnection:** Connect the camera to a mobile application to view real-time footage without using mobile data.
- **Loop Recording:** Automatically overwrites the oldest files when memory capacity is full, ensuring continuous recording.
- **Memory Card Support:** Supports 64-256GB memory cards (not included).
- **Charge While Recording:** Allows for extended recording sessions.
- **One-Button Operation:** Simple and intuitive control.
- **High-Fidelity Microphone:** For clear audio recording.
- **Adjustable Rotating Mount:** Provides flexibility for various mounting scenarios, including handlebars, helmets, or as a dash cam.



Figure 2: Overview of the camera's main features.

PRODUCT OVERVIEW AND PARTS

Familiarize yourself with the camera's components and controls:



- | | | | |
|---------------|--------------------------|-------------------|--------------------------|
| 1. Microphone | 4. Camera light | 7. Power source | 10. Reset hole |
| 2. Lens | 5. Video indicator light | 8. USB port | 11. Memory card slot |
| 3. Mode key | 6. WIFI indicator | 9. Charging light | 12. Multifunctional base |

Figure 3: Detailed diagram of the camera and its components.

1. **Microphone:** Captures audio.
2. **Lens:** The primary camera lens.
3. **Mode Key (M):** Used to switch between modes and activate WiFi.
4. **Camera Light:** Indicates camera status.
5. **Video Indicator Light:** Shows video recording status.
6. **WiFi Indicator:** Shows WiFi status.
7. **Power Source (OK):** Power button and recording start/stop.
8. **USB Port:** For charging and data transfer.
9. **Charging Light:** Indicates charging status.
10. **Reset Hole:** For resetting the device.
11. **Memory Card Slot:** Insert your MicroSD card here.
12. **Multifunctional Base:** Attaches to various mounts.

SETUP

1. Inserting the Memory Card

Locate the memory card slot (11) on the camera. Gently insert a compatible MicroSD card (64-256GB, not included) until it clicks into place. Ensure the card is inserted in the correct orientation.

2. Charging the Camera

Connect the provided charging cable to the USB port (8) on the camera and the other end to a standard USB power adapter (not included) or a computer USB port. The charging light (9) will indicate the charging status. A full charge is recommended before first use.

3. Attaching the Mount

Attach the multifunctional base (12) to the camera. Then, connect the base to the desired mount (e.g., handlebar mount, helmet mount) using the provided fixing parts. Ensure all connections are secure before use.



Figure 4: Example of the camera mounted on a bicycle handlebar.

OPERATING INSTRUCTIONS

1. Powering On/Off

Press and hold the Power Source (OK) button (7) for a few seconds to power on the camera. The camera light (4) will illuminate. To power off, press and hold the Power Source (OK) button again until the lights turn off.

2. Starting/Stopping Recording

Once powered on, press the Power Source (OK) button (7) briefly to start video recording. The video indicator light (5) will flash. Press the Power Source (OK) button again to stop recording. The video indicator light will stop flashing.

3. Loop Recording Function

The camera supports loop recording. When the memory card is full, the camera will automatically delete the oldest files and

continue recording new footage. This ensures continuous operation without manual deletion.

Loop recording

When the memory capacity is full, the camera will automatically delete the oldest files, continuously overwrite and record, without dropping frames or missing seconds, capturing every frame of exciting video.



Figure 5: Illustration of the loop recording feature.

WiFi CONNECTIVITY AND APP USAGE

The camera features built-in WiFi for real-time viewing and control via a mobile application.

1. Activating WiFi

After powering on the camera, press and hold the Mode Key (M) (3) for 2 seconds. The WiFi indicator light (6) will turn green, indicating that WiFi is active.

2. Downloading the App

Download the "Sport Camera" application on your smartphone. This app is available for both Android and iOS devices.

3. Connecting to WiFi

On your smartphone, go to your WiFi settings. Find the network name starting with "CS" in the list of available networks and

connect to it. No password is typically required for the initial connection.

4. Using the App

Once connected, return to the "Sport Camera" application. You can now view live footage, playback recorded videos, and adjust camera settings directly from your phone. This feature allows for easy monitoring and review of your recordings.



Figure 6: Real-time WiFi connection between the camera and a smartphone.

MAINTENANCE

- **Cleaning:** Use a soft, dry cloth to clean the camera body and lens. For stubborn dirt, slightly dampen the cloth with water. Do not use harsh chemicals or abrasive materials.
- **Water Resistance:** While the camera is waterproof, avoid submerging it in water for extended periods or exposing it to high-pressure water jets. Ensure all ports are securely closed before exposure to water.
- **Storage:** Store the camera in a cool, dry place away from direct sunlight and extreme temperatures.
- **Battery Care:** To prolong battery life, avoid fully discharging the battery frequently. Charge the camera regularly, even if not in use for extended periods.

- **Firmware Updates:** Check the manufacturer's website or the "Sport Camera" app periodically for any available firmware updates to ensure optimal performance and new features.

TROUBLESHOOTING

Problem	Possible Cause	Solution
Camera does not power on.	Low battery; Power button not pressed long enough.	Charge the camera fully. Press and hold the Power Source (OK) button for a few seconds.
Cannot record video.	No memory card; Memory card full or corrupted; Incorrect card format.	Insert a compatible memory card. Format the memory card (refer to app settings). Replace the memory card if corrupted.
WiFi connection issues.	WiFi not activated on camera; Incorrect network selected; App issues.	Ensure WiFi indicator light is green. Select the correct "CS" network. Restart the app and camera.
Poor video quality.	Dirty lens; Low light conditions; Camera shake.	Clean the lens. Ensure adequate lighting. Use a stable mount.
Camera unresponsive.	System crash.	Use a thin object (like a paperclip) to press the Reset Hole (10) to restart the camera.

SPECIFICATIONS

Feature	Detail
Product Type	Bicycle Action Camera
Material	ABS
Video Compression Format	MP4
Video Resolution	1920 x 1080p
Recording Frame Rate	25 fps
Stabilization Type	Electronic Stabilization
Aspect Ratio	16:9
Image Format	JPG
Battery Type	Built-in 900mAh High Capacity Li-ion Battery
Storage Support	64-256GB Memory Card (not included)
Interface Type	Micro USB
Compatible OS	Windows, OS X, Linux
Playback Software	System default or mainstream media player
WiFi Frequency	2.4 GHz
App Name	Sport Camera
Special Features	Waterproof

Feature	Detail
Focal Length	10 millimeters
Aperture	2.8 Millimeters
Connectivity Technology	USB, Wi-Fi
Image Stabilization	Yes
Compatible Devices	Smartphone

WARRANTY AND SUPPORT

Zunate products are manufactured to high quality standards. For warranty information, technical support, or service inquiries, please refer to the contact information provided with your purchase or visit the official Zunate website. Keep your purchase receipt as proof of purchase for warranty claims.

For further assistance, you may contact customer support through the platform where you purchased the product.