

IDZO GUKP

IDZO Fire Pit Ring 36-inch Inner Diameter (Model GUKP) Instruction Manual

Your guide to safe and effective use of your IDZO Fire Pit Ring.

1. INTRODUCTION

The IDZO Fire Pit Ring is designed for creating a safe and contained wood-burning fire for outdoor gatherings. Its durable steel construction and thoughtful design allow for both in-ground and above-ground use, providing a versatile solution for your outdoor heating and ambiance needs.

2. SAFETY INFORMATION

Please read and understand all safety warnings before operating this fire pit ring.

- Always use dry, seasoned wood.
- Keep a safe distance from the fire pit and never leave it unattended.
- Do not use flammable liquids or accelerants to start or rekindle the fire.
- Allow the fire pit to cool completely before moving or storing.
- Ensure the fire pit is placed on a level, non-combustible surface, or embedded securely in the ground.
- Keep children and pets away from the fire pit.
- Have a fire extinguisher or water source readily available.

3. PRODUCT COMPONENTS

The IDZO Fire Pit Ring consists of the following parts:

- Four (4) curved steel panels
- Screws for assembly



Image: The IDZO Fire Pit Ring providing warmth and ambiance during an evening gathering.

4. ASSEMBLY INSTRUCTIONS

Assembly of your IDZO Fire Pit Ring is straightforward and requires minimal tools.

1. Step 1: Align Panels

Align the four curved steel panels. Ensure the pre-drilled holes on the edges of each panel match up correctly.

2. Step 2: Form Circular Structure

Connect the four panels to form a circular structure. The curved edges are designed to fit together seamlessly.

3. Step 3: Secure with Screws

Insert the provided screws into the aligned holes and tighten them securely. Ensure all connections are firm to create a stable ring.



Image: Visual representation of the three-step assembly process for the fire pit ring.

Installation Options

The IDZO Fire Pit Ring can be used both above ground or embedded for a more permanent setup.

- **Above Ground:** Place the assembled ring on a level, non-combustible surface.
- **In-Ground:** Dig a circular pit to the desired depth and width, then place the fire pit ring inside.

DESIGNED FOR FLEXIBILITY



*Large Diameter
For More Wood*



Image: The fire pit ring shown embedded in the ground, illustrating an in-ground installation option.

Important Note: This fire pit ring has no bottom. To protect your ground from damage, it is recommended to lay a layer of sand or stone on the bottom before using the fire pit.



Image: A diagram illustrating the recommendation to use sand or stone at the base of the fire pit ring for ground protection.

5. OPERATING INSTRUCTIONS

1. **Placement:** Ensure the assembled fire pit ring is placed on a level, non-combustible surface, or embedded securely. Maintain adequate clearance from structures, flammable materials, and vegetation.
2. **Fuel:** Place dry, seasoned wood inside the ring. Avoid overfilling the ring to prevent embers from escaping. The large diameter allows for ample wood capacity.
3. **Ignition:** Ignite the wood carefully using appropriate fire starters. **Do not use flammable liquids or accelerants.**
4. **Supervision:** Maintain a safe distance from the fire. Never leave a burning fire unattended.
5. **Extinguishing:** Allow the fire to burn down naturally. Do not extinguish with water, as this can damage the steel and create steam hazards. Once embers are cool, ensure no hot spots remain before leaving the area.

6. MAINTENANCE

Proper maintenance will extend the life of your IDZO Fire Pit Ring.

- **Cleaning:** After each use, once the fire pit has completely cooled, remove ash and debris. A small shovel or ash vacuum can be used. Wipe down the exterior with a damp cloth if needed. Avoid abrasive cleaners that could damage the matte black finish.
- **Storage:** Store the fire pit in a dry location when not in use for extended periods to prevent rust and prolong its lifespan.
- **Inspection:** Periodically check all screws and connections to ensure they remain secure.

7. TROUBLESHOOTING

- **Difficulty assembling panels:** Ensure panels are correctly aligned and pre-drilled holes match before tightening screws. Do not force connections.
- **Excessive smoke:** Use only dry, seasoned hardwood. Wet or green wood produces more smoke. Ensure adequate airflow around the fire pit.
- **Rust formation:** The steel is designed to withstand outdoor conditions, but prolonged exposure to moisture can lead to surface rust. Clean and dry the unit after use, and store in a dry place. A high-temperature rust-resistant paint can be applied if desired.

8. SPECIFICATIONS

IDEAL SIZE FOR ANY PLACE



Lightweight And
Portable at 35 lbs,
Easy To Carry

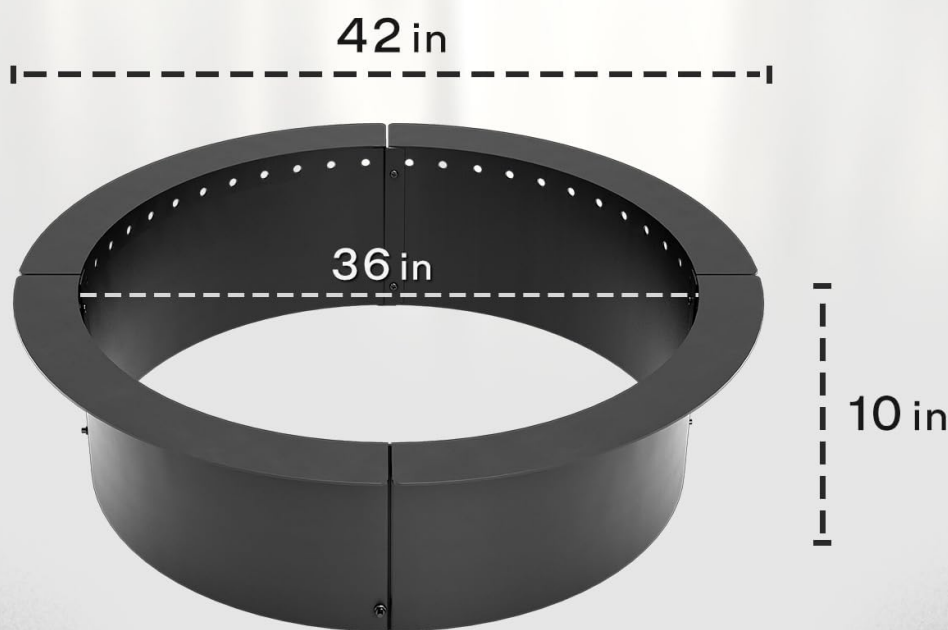


Image: Detailed dimensions of the IDZO Fire Pit Ring, including outer and inner diameters and height.

Feature	Detail
Brand	IDZO
Model Number	GUKP
Material	Alloy Steel
Outer Diameter	42 inches
Inner Diameter	36 inches
Height	10 inches
Finish Type	Powder Coated
Shape	Round
Fuel Type	Wood
Item Weight	38.6 pounds

9. WARRANTY AND SUPPORT

For warranty information or product support, please refer to the retailer's return policy or contact IDZO customer service through their official channels. Keep your purchase receipt for warranty claims.

© 2025 IDZO. All rights reserved.