



Manuals.plus /

› Reobrix /

› Reobrix 809 Eldorado Building Blocks Set Instruction Manual

Reobrix RB809

Reobrix 809 Eldorado Building Blocks Set Instruction Manual

Model: RB809

1. INTRODUCTION

This manual provides comprehensive instructions for the assembly, operation, and maintenance of your Reobrix 809 Eldorado Building Blocks Set. This kit allows you to construct a detailed 1:24 scale model of the classic Cadillac Eldorado convertible. Please read all instructions carefully before beginning assembly.

2. SAFETY INFORMATION

- **Recommended Age:** This building set is suitable for individuals aged 14 years and older.
- **Small Parts Warning:** The kit contains small parts which may pose a choking hazard. Keep out of reach of children under 3 years.
- **Material Safety:** The building blocks are made from high-quality, non-toxic Acrylonitrile Butadiene Styrene (ABS) material.
- **Handling:** Do not swallow any components. Ensure all parts are securely connected during assembly to prevent accidental detachment.

3. PACKAGE CONTENTS

Verify that all components are present before starting assembly. The Reobrix 809 Eldorado Building Blocks Set includes:

- 308 Building Block Pieces
- 1 Instruction Manual (this document)

If any parts are missing or damaged, please refer to the Troubleshooting section for assistance.



NO.809

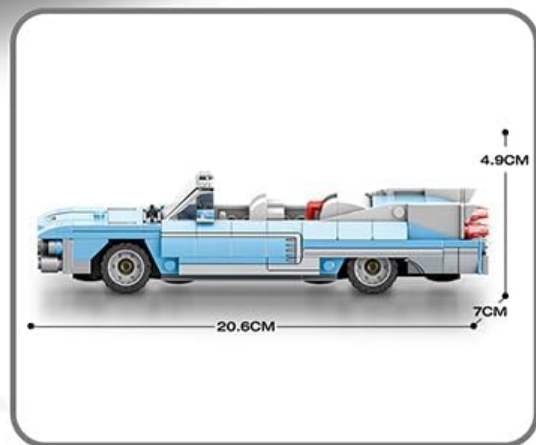


Image: Product packaging and dimensions for the Reobrix 809 Eldorado Building Blocks Set.

4. ASSEMBLY INSTRUCTIONS

Follow the step-by-step instructions provided in the included printed manual to assemble your Reobrix 809 Eldorado model car. Each step is illustrated to guide you through the construction process.

4.1 General Assembly Tips

- Organize your pieces by color and type before starting.
- Carefully review each step's diagram before attaching pieces.
- Ensure pieces are firmly pressed together for a stable build.
- If a step seems unclear, re-examine the diagram and previous steps.

4.2 Key Features During Assembly

The assembly process will guide you in building the following authentic features:

- **Functional Steering:** Components for a movable steering mechanism.
- **Rotating Wheels:** Axles and wheels designed for smooth rotation.
- **Opening Door:** Hinged door for realistic interaction.
- **Sleek Lines and Tailfins:** Construction of the vehicle's distinctive body shape and rear fins.



Image: An overall view of the assembled Reobrix 809 Eldorado model car.

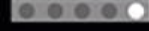


ORIGINAL DESIGN



INTRODUCTION

DIFFCULTY INDEX



SCALE BUILD OF REAL CAR

THE STRUCTURE OF THE WHOLE VEHICLE IS BASED ON THE WIDE-BODY STANCE DESIGN AND INCORPORATES ELEMENTS OF VARIOUS CLASSIC MODELS. THE LINES ARE NEAT AND CONCISE. THE PROTAGONIST OF THE VEHICLE IS GALLOPING IN THE CITY AND RUNS WILDLY WITH IT LIKE A BEAST.

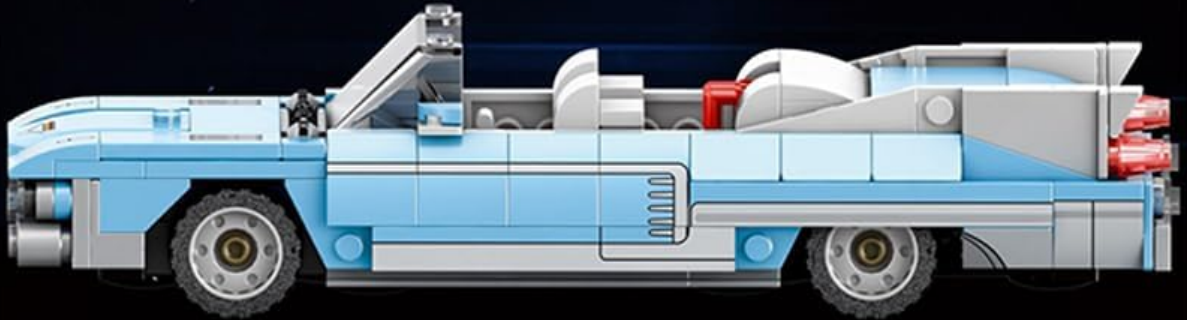


Image: Side profile of the Reobrix 809 Eldorado model car, illustrating its accurate scale design.

EXQUISITE TRANSFER PRINTING DESIGN



Image: Detailed view of the front hood, showcasing the transfer printing design elements.

AGGRESSIVE TAIL DETAILS ARE HIGHLY EMPHASIZED

THE TAIL DETAILS ARE POWERFUL

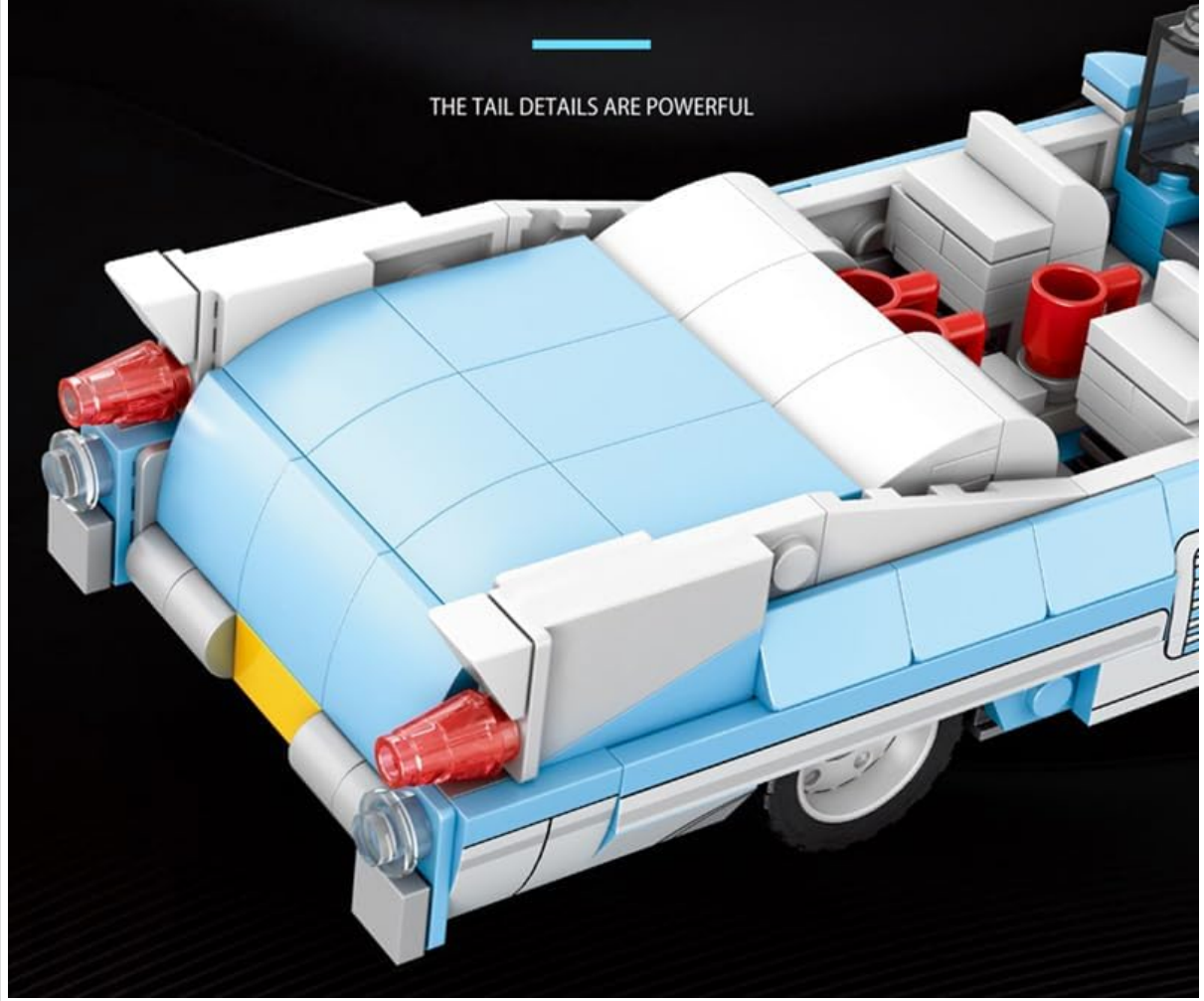


Image: Rear view of the model, highlighting the distinctive tailfin details.

MORE OUTSTANDING WITH HIGHLIGHTS



Image: Close-up views of the front grille, simulated tire, and windshield, demonstrating design highlights.

5. OPERATING FEATURES

Once assembled, your Reobrix 809 Eldorado model car features interactive elements:

- **Steering:** The steering wheel can be turned, which may influence the direction of the front wheels depending on the specific build.
- **Wheels:** The wheels are designed to rotate freely, allowing the model to be rolled across smooth surfaces.
- **Door:** The driver's side door can be opened and closed.

Your browser does not support the video tag.

Video: A demonstration of the assembled Reobrix 809 Eldorado model car, showcasing its design and features.

6. MAINTENANCE

To ensure the longevity and appearance of your Reobrix 809 Eldorado model:

- **Cleaning:** Use a soft, dry cloth to gently wipe dust from the model. For stubborn dirt, a slightly damp cloth can be used, followed by immediate drying. Avoid harsh chemicals or abrasive cleaners.

- **Storage:** Store the model in a cool, dry place away from direct sunlight to prevent discoloration or material degradation.
- **Handling:** Handle the model with care to avoid accidental detachment of parts.

7. TROUBLESHOOTING

7.1 Missing or Damaged Pieces

If you discover any missing or damaged pieces during assembly:

- Carefully re-check the packaging and surrounding area for any overlooked parts.
- Contact Reobrix customer support with details of the missing or damaged part(s) for assistance.

7.2 Difficulty Assembling

If you encounter difficulties during assembly:

- Review the current and preceding steps in the instruction manual to ensure all connections are correct.
- Ensure pieces are oriented correctly and fully pressed into place.

8. SPECIFICATIONS

| | |
|---------------------------------------|---------------------------------------|
| Model Number | RB809 |
| Product Dimensions (L x W x H) | 19.48 x 7.49 x 14 cm |
| Number of Pieces | 308 |
| Material | Acrylonitrile Butadiene Styrene (ABS) |
| Recommended Age | 14 - 83 years |
| Included Components | Building Blocks, Instruction Manual |

9. WARRANTY AND SUPPORT

Reobrix is committed to providing high-quality products and customer satisfaction. Our comprehensive after-sales support is available to assist with any inquiries or issues you may encounter with your building set. For support, please refer to the contact information provided on the product packaging or the official Reobrix website.