

Manuals+

[Q & A](#) | [Deep Search](#) | [Upload](#)

manuals.plus /

› [GABRYLLY](#) /

› [Gabrylly Bathtub Shower System Instruction Manual \(Brushed Nickel, Model G5309BN-3\)](#)

GABRYLLY G5309BN-3

Gabrylly Bathtub Shower System Instruction Manual

Model: G5309BN-3 (10 Inches-With Tub Spout, Brushed Nickel)

1. INTRODUCTION

This manual provides detailed instructions for the installation, operation, and maintenance of your Gabrylly Bathtub Shower System. This system features a high-pressure 10-inch rain shower head, a 5-setting handheld spray, a 7.8-inch tub spout, and a pressure balance shower valve, all in a brushed nickel finish. Please read this manual thoroughly before installation and use to ensure proper function and longevity of your product.



Figure 1: Gabrylly Bathtub Shower System Overview

2. SAFETY INFORMATION

- Ensure all water supply lines are turned off before beginning installation.
- Consult a qualified plumber if you are unsure about any installation steps.
- Wear appropriate safety gear, including eye protection, during installation.
- Do not overtighten connections, as this may cause damage.
- Test for leaks thoroughly after installation is complete.

3. PACKAGE CONTENTS

Verify that all components are present before beginning installation:

- 10 inch rain shower head (x1)
- 14.8 inch shower arm (x1)
- 5-setting handheld shower head (x1)
- 7.8 inch tub spout (x1)

- Pressure balance shower valve with stopper (x1)
- 59 inch shower hose (x1)
- Brass shower holder (x1)

4. KEY FEATURES

- **Pressure Balance Shower Valve:** Constructed from solid brass, this valve prevents sudden temperature fluctuations, ensuring a consistent and safe shower experience. It includes a stopper for easy cartridge replacement without shutting off the main water supply.
- **High-Pressure Shower Faucet Set:** The 2mm ultra-thin stainless steel rain shower head utilizes pressurized technology for optimal performance even in low water pressure areas. Silicone nozzles offer a self-cleaning function.
- **5-Setting Handheld Spray:** The handheld shower head provides five distinct spray patterns: rain shower, rain shower with massage, massage, fast massage, and full body spray.
- **High Flow Tub Spout:** A 7.8-inch waterfall tub spout, made from high-quality stainless steel, ensures a rapid fill rate for your bathtub, minimizing heat loss.
- **Easy Installation:** Standard US NPT 1/2 thread compatibility allows for connection with various pipe types. Threaded fittings are made of brass to prevent breakage or leaks.

5. INSTALLATION GUIDE

5.1 Pre-Installation

- Ensure rough-in plumbing is correctly positioned according to local codes and the product dimensions.
- Flush water lines to remove any debris before connecting the valve.
- Gather all necessary tools (e.g., wrench, pipe sealant, measuring tape).

Product Size

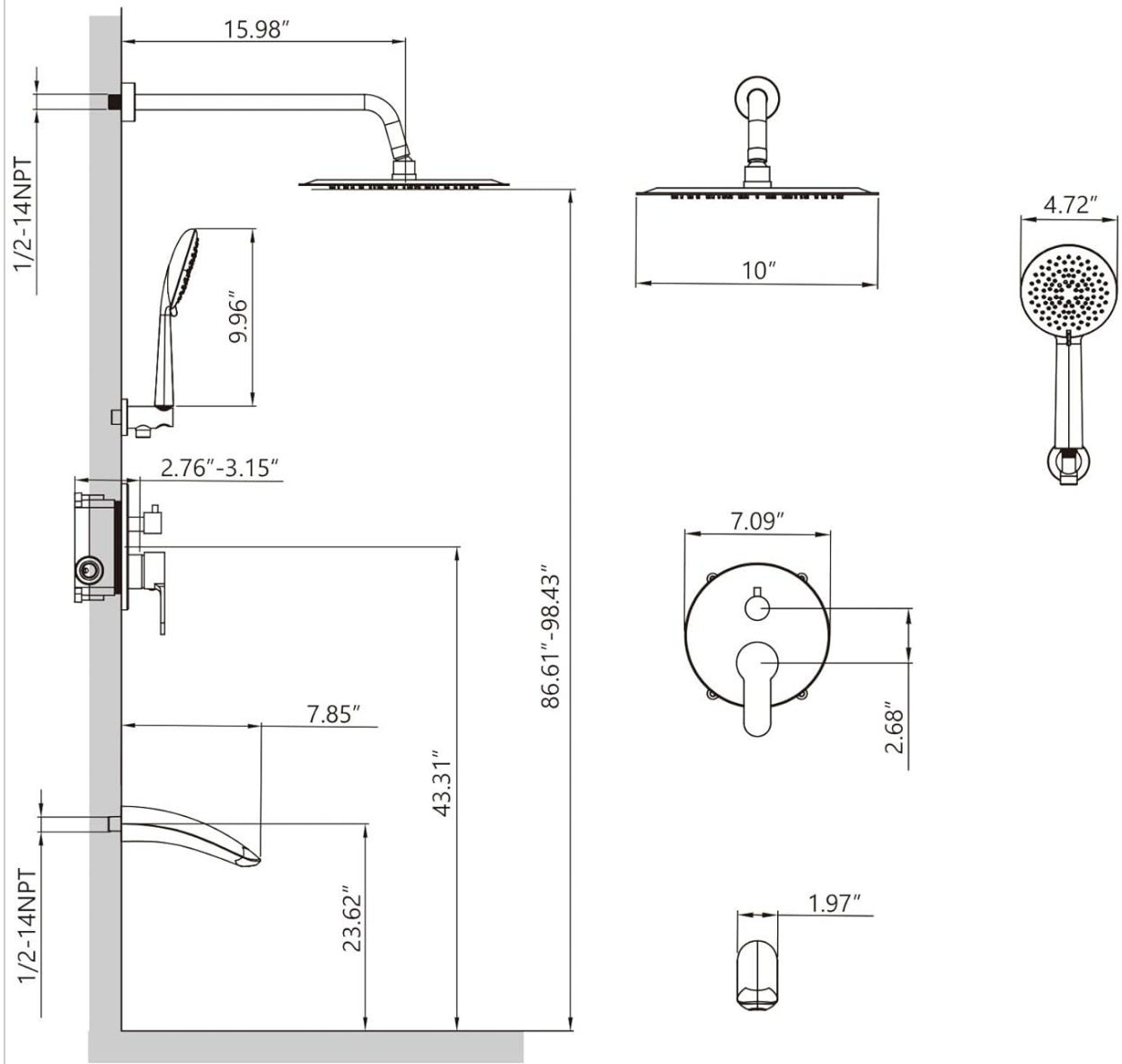


Figure 2: Product Dimensions

5.2 Pressure Balance Shower Valve Installation

1. Install the rough-in valve body into the wall, ensuring it is level and securely mounted.
2. Connect the hot and cold water supply lines to the designated inlets on the valve body (NPT 1/2").
3. Connect the outlet lines for the rain shower head, handheld shower, and tub spout to the corresponding ports on the valve.
4. Test all connections for leaks before closing the wall.

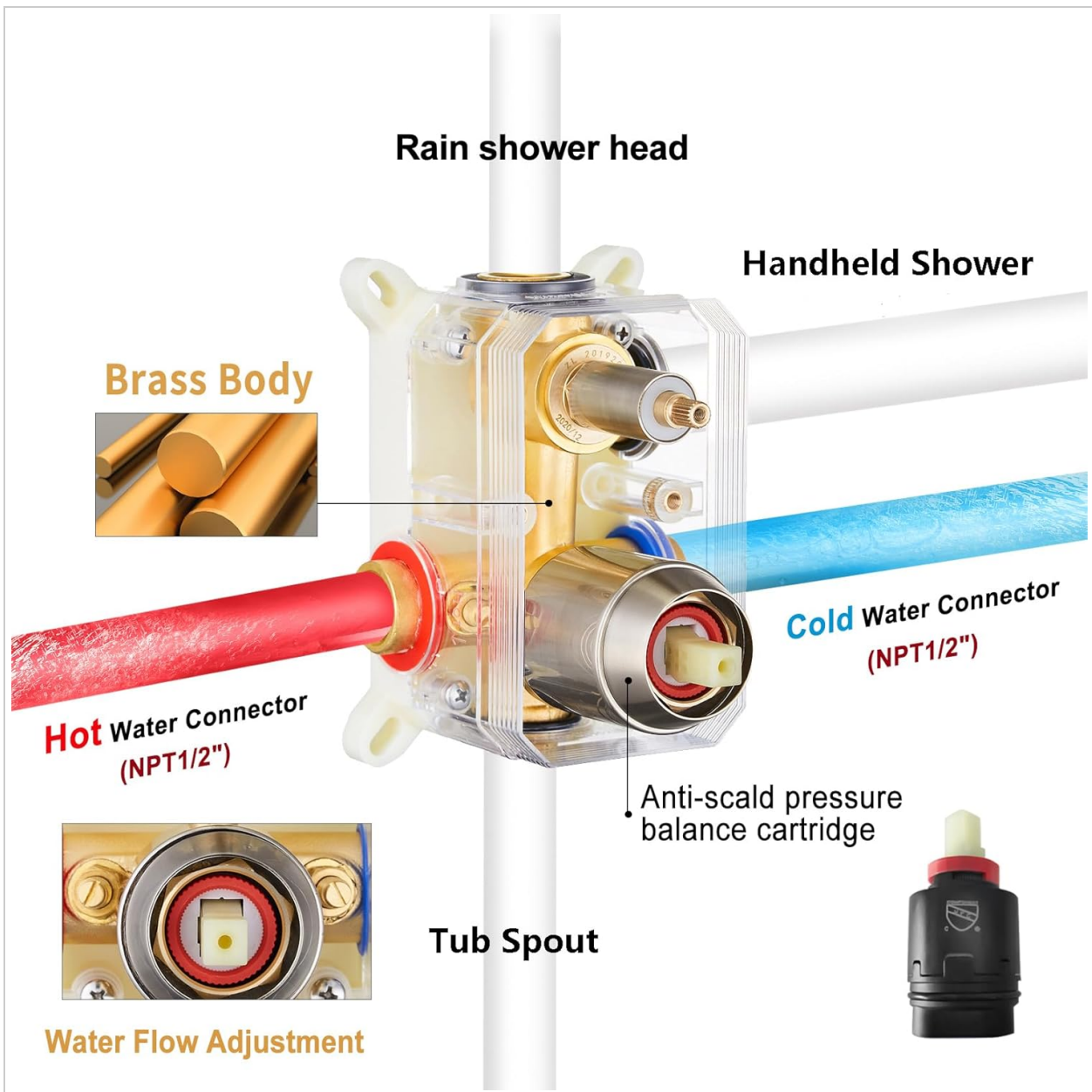


Figure 3: Pressure Balance Shower Valve Diagram

5.3 Shower Arm and Rain Head Installation

1. Apply pipe sealant tape to the threads of the shower arm.
2. Thread the shower arm into the wall outlet, ensuring a tight seal.
3. Attach the 10-inch rain shower head to the end of the shower arm.

10 Inches Rain Shower Head



Figure 4: Rain Shower Head

5.4 Handheld Shower and Holder Installation

1. Install the brass shower holder at a comfortable height on the wall.
2. Connect one end of the 59-inch shower hose to the handheld shower head and the other end to the wall outlet.
3. Place the handheld shower head into its holder.

5 -Setting High Pressure Handheld Shower Head



Figure 5: Handheld Shower Head

5.5 Tub Spout Installation

1. Apply pipe sealant tape to the threads of the tub spout.
2. Thread the tub spout onto the wall outlet, ensuring it is securely fastened and properly aligned.

High Flow Rate Tub Spout

Can quickly fills a standard tub,
3.5 GPM @ 40 PSI



Figure 6: Tub Spout

6. OPERATING INSTRUCTIONS

6.1 Temperature Control

The main lever on the pressure balance valve controls the water temperature. Rotate the lever to adjust between hot and cold water. The pressure balancing feature will maintain a consistent temperature, preventing scalding.

6.2 Diverter Function

The upper knob on the valve acts as a 2-way diverter. Rotate this knob to select the desired water outlet:

- Rotate to one side for the rain shower head.
- Rotate to the other side for the handheld shower.
- Position the knob in the middle to activate both the rain shower head and the handheld shower simultaneously.

6.3 Handheld Spray Settings

The handheld shower head features 5 adjustable spray settings. Rotate the spray face of the handheld unit to cycle through the different patterns: rain shower, rain shower with massage, massage, fast massage, and full body spray.

7. MAINTENANCE AND CARE

7.1 Cleaning the Shower Heads

The rain shower head and handheld shower head are equipped with silicone nozzles. To clean mineral deposits or clogs, simply squeeze the silicone nozzles to dislodge any buildup. This self-cleaning function helps maintain optimal water flow.

Pressure Balance Shower Valve with Stopper

ours
All Brass Body
Use of high standard copper material, more resistant to corrosion and oxidation.

Pressure Balance Cartridge
Equipped with a pressure balancing spool, which prevents abnormal water temperature fluctuations.

Built-in Check Valves and Stop
Adjustable water flow, shower cartridge maintenance without turn off the main switch.

VS

others
Poor Material
Use of stainless steel or low standard copper, prone to corrosion and leakage.

No check valves
No check valve with stop, easy to produce water hammer sound, maintenance difficulties.

Non-compliant cartridge
With a regular spool, the water temperature is likely to fluctuate dramatically leading to scalding.

Figure 7: Easy Clean Shower Nozzles

7.2 Finish Care

The brushed nickel finish is designed to be anti-fingerprint and corrosion-resistant. To maintain its appearance, clean the surfaces with a soft, damp cloth and mild soap. Avoid abrasive cleaners, harsh chemicals, or scouring pads, as these can damage the finish.



Figure 8: Anti-fingerprint Brushed Nickel Finish

8. TROUBLESHOOTING

- **Low Water Pressure:** Check if the main water supply is fully open. Ensure shower head nozzles are clear of mineral buildup (refer to Section 7.1). Verify that any water restrictors are properly installed or removed as desired.
- **Leaks:** Ensure all connections are properly tightened and sealed with pipe sealant tape. If leaks persist from the valve, the cartridge may need inspection or replacement. The pressure balance valve includes a stopper for easy cartridge access.

- **Inconsistent Water Temperature:** The pressure balance valve is designed to prevent this. If temperature fluctuations occur, the valve cartridge may require inspection or replacement.
- **Finish Discoloration:** Avoid using harsh chemicals or abrasive cleaners. Clean regularly with a soft cloth and mild soap.

9. SPECIFICATIONS

Attribute	Detail
Brand	GABRYLLY
Model Number	G5309BN-3
Color	Brushed Nickel
Material	Brass, Plastic, Stainless Steel
Finish Type	Brushed
Number of Handles	2
Handle Material	Zinc
Mounting Type	Wall Mount
Head Size	10 inches
Spout Reach	7.8 Inches
Item Weight	10.32 pounds
Product Dimensions	15 x 12 x 6 inches

10. WARRANTY AND CUSTOMER SUPPORT

Gabrylly is committed to providing high-quality products and excellent customer service. While specific warranty details are not provided in this document, customer reviews indicate responsive support for replacement parts and troubleshooting.

For any questions, concerns, or assistance with your Gabrylly Bathtub Shower System, please refer to the contact information provided with your purchase or visit the official Gabrylly store page on Amazon for support options.

We value your feedback and are dedicated to ensuring your satisfaction with our products.