

Manuals+

[Q & A](#) | [Deep Search](#) | [Upload](#)

Manuals.plus /

› **SAMSUNG** /

› Samsung QN65Q80DAFXZA 65 Inch QLED 4K Smart TV and HW-B750D 5.1Ch Soundbar System User Manual

SAMSUNG QN65Q80DAFXZA, HW-B750D

Samsung QN65Q80DAFXZA 65 Inch QLED 4K Smart TV and HW-B750D 5.1Ch Soundbar System User Manual

Brand: SAMSUNG | **Models:** QN65Q80DAFXZA, HW-B750D

1. INTRODUCTION

This manual provides comprehensive instructions for the setup, operation, and maintenance of your Samsung QN65Q80DAFXZA 65-inch QLED 4K Quantum HDR Plus Smart TV, Samsung HW-B750D 5.1Ch Soundbar and Subwoofer, and the Walts HDTV Screen Cleaner Kit. Please read this manual thoroughly before using your products to ensure proper functionality and safety.



Image 1.1: The Samsung QN65Q80DAFXZA 65-inch QLED 4K Smart TV bundled with the HW-B750D 5.1Ch Soundbar and Subwoofer.

2. WHAT'S IN THE BOX

Verify that all components listed below are included in your package:

Samsung QN65Q80DAFXZA 65-inch QLED 4K Smart TV

- Samsung QN65Q80DAFXZA 65-inch QLED 4K Smart TV
- TV Stand
- Power Cable
- Remote Control (SolarCell Remote)
- User Manual & Documentation

Samsung HW-B750D 5.1Ch Soundbar and Subwoofer

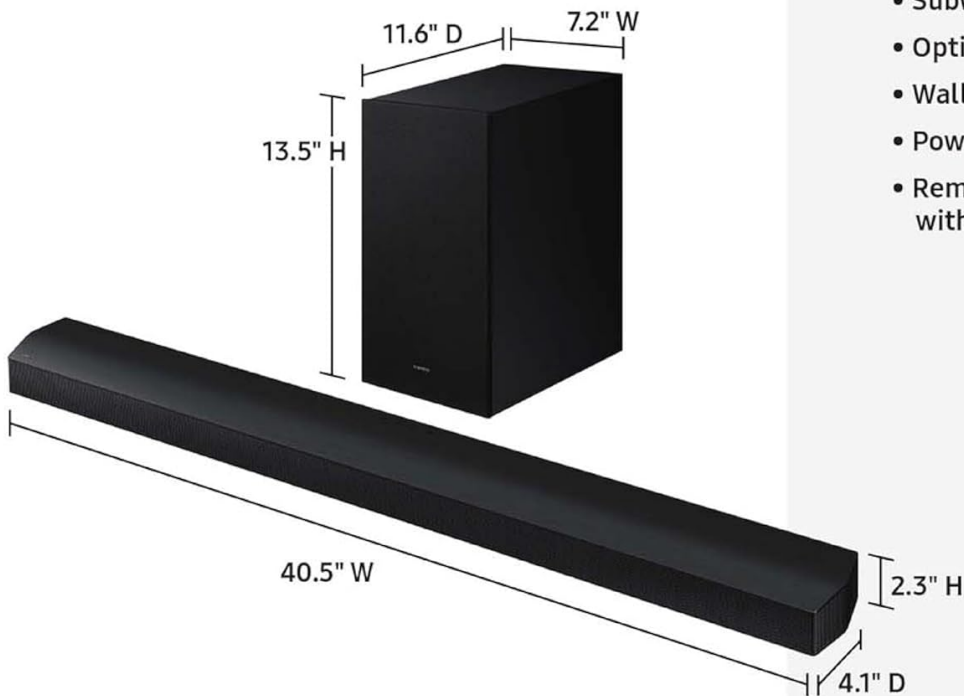
- Soundbar (HW-B750D)
- Wireless Subwoofer
- Optical Cable
- Wall Mount Kit

- Power Adapter for Soundbar
- Remote Controller with batteries

Walts HDTV Screen Cleaner Kit

- Walts HDTV Screen Cleaner Solution (200ml)
- Microfiber Cleaning Cloth

Model: HW-B750D



Dimensions:

(INCHES W x H x D):

- Soundbar: 40.5 x 2.3 x 4.1
- Subwoofer: 7.2 x 13.5 x 11.6

What's in the box:

- Soundbar
- Subwoofer
- Optical Cable
- Wall Mount Kit
- Power Adapter
- Remote Controller with batteries



Features and specifications subject to change.

Image 2.1: Contents and dimensions of the Samsung HW-B750D Soundbar and Subwoofer system.

3. SETUP GUIDE

3.1 Samsung QN65Q80DAFXZA 65-inch QLED 4K Smart TV

3.1.1 Unpacking and Placement

1. Carefully remove the TV from its packaging. It is recommended to have two people for this step.
2. Assemble the TV stand according to the instructions provided in the TV's separate manual. Ensure all screws are securely fastened.

3. Place the TV on a stable, level surface or mount it on a wall using a compatible VESA 400x300 mount (sold separately). Ensure adequate ventilation around the TV.



Image 3.1: Front view of the Samsung QN65Q80DAFXZA QLED 4K Smart TV.

3.1.2 Connecting Power and Peripherals

1. Connect the power cable to the TV and then to a wall outlet.
2. Connect your external devices (e.g., cable box, Blu-ray player, gaming console) to the TV's HDMI ports. This TV features 4 HDMI ports, including HDMI 2.1 with eARC support.
3. For internet access, connect an Ethernet cable to the LAN port or prepare for Wi-Fi setup.

3.1.3 Initial Setup

1. Power on the TV using the remote control.
2. Follow the on-screen instructions to complete the initial setup, including language selection, network connection (Wi-Fi or wired), and channel scanning.
3. Log in to your Samsung account or create a new one to access Smart TV features.

3.2 Samsung HW-B750D 5.1Ch Soundbar and Subwoofer

3.2.1 Placement

1. Place the soundbar directly in front of your TV, centered, to ensure optimal audio alignment.
2. Position the wireless subwoofer in a corner of the room or near the soundbar for enhanced bass response. Ensure it is within range of the soundbar for wireless connection.



Image 3.2: Top view of the Samsung HW-B750D Soundbar.





Image 3.3: Rear view of the Samsung HW-B750D Subwoofer.

3.2.2 Connecting to TV

1. **HDMI ARC (Recommended):** Connect an HDMI cable from the TV's HDMI (eARC) port to the soundbar's HDMI OUT (TV-ARC) port. This allows for high-quality audio and control via the TV remote.
2. **Optical Cable:** Alternatively, connect the included optical cable from the TV's Optical Digital Audio Out port to the soundbar's Digital Audio In (Optical) port.

3.2.3 Power and Pairing

1. Connect the soundbar and subwoofer to power outlets.
2. The subwoofer should automatically pair with the soundbar. If not, refer to the soundbar's manual for manual pairing instructions.

3.3 Walts HDTV Screen Cleaner Kit

3.3.1 Preparation

1. Ensure the TV or display is powered off and cool to the touch before cleaning.
2. Use the provided microfiber cloth.



Image 3.4: Walts HDTV Screen Cleaner Kit.

4. OPERATING INSTRUCTIONS

4.1 Samsung QN65Q80DAFXZA TV Features

4.1.1 Picture Quality Enhancements

- **Direct Full Array:** Experience precise contrast with deep blacks and bright whites, even in well-lit rooms, thanks to precisely controlled backlighting.

- **100% Color Volume with Quantum Dot:** Enjoy over a billion shades of vibrant, true-to-life color that remains consistent at any brightness level.
- **Quantum HDR Plus:** Delivers an expanded range of contrast and color, enhancing details in both the brightest and darkest scenes.
- **4K AI Upscaling & NQ4 AI Gen2 Processor:** Content is intelligently upscaled to 4K resolution, optimizing picture and sound for an immersive viewing experience.

Precise details

See incredible contrast even in sunlit rooms that precisely controls the amount of lighting across every part of the picture. Get caught up in the details as you experience precision-controlled contrast with deep blacks and bright whites.

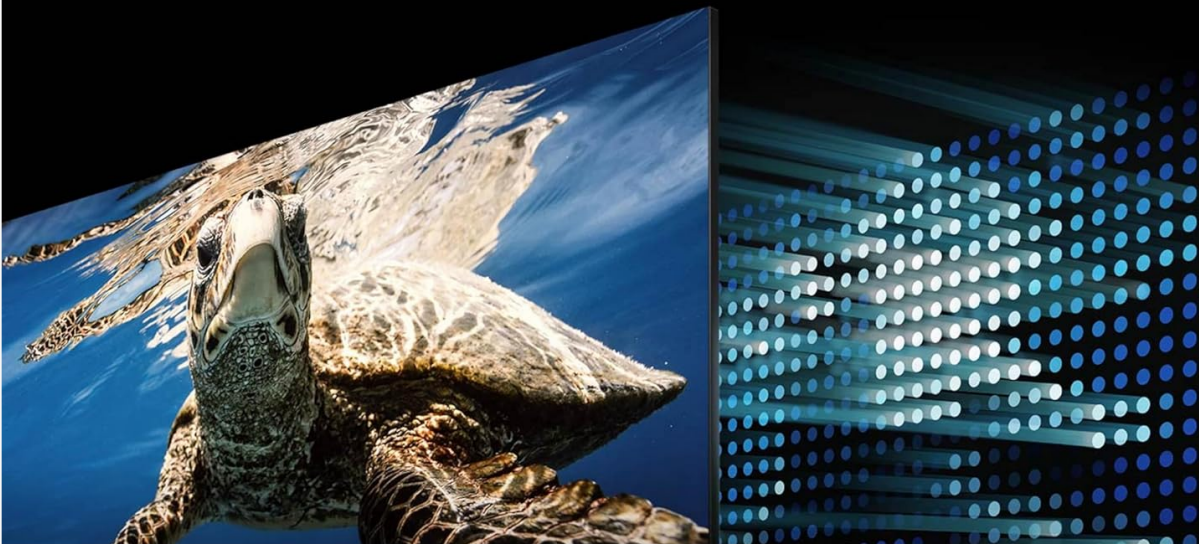
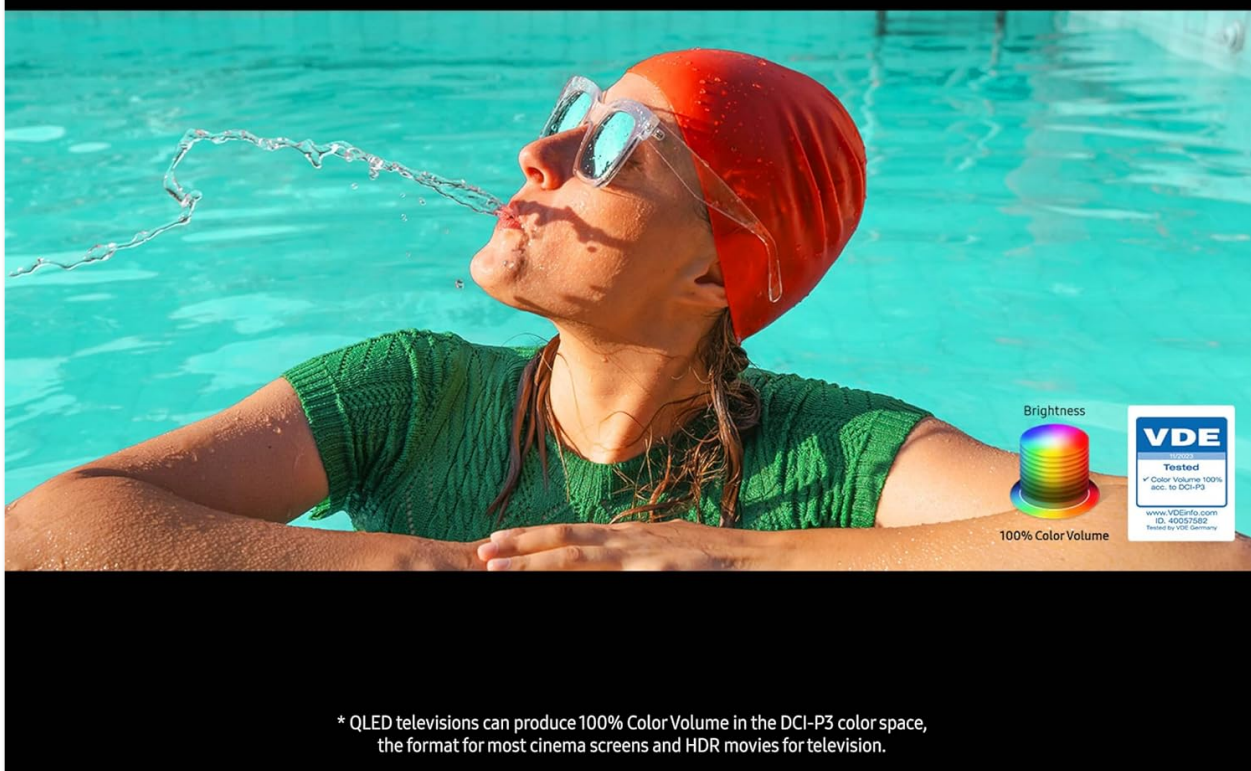


Image 4.1: Direct Full Array technology for precise details and contrast.

True-to-life color

Take in breathtaking color that stays true at any level of brightness. Marvel as your TV transforms light into over a billion beautiful shades.*



* QLED televisions can produce 100% Color Volume in the DCI-P3 color space, the format for most cinema screens and HDR movies for television.

Image 4.2: 100% Color Volume with Quantum Dot for true-to-life color.

4.1.2 Smart TV Functions (Tizen OS)

- **Tizen OS:** Navigate through a user-friendly interface to access streaming apps, live TV, and connected devices.
- **Samsung Gaming Hub:** Access cloud gaming services and connect your gaming devices for an optimized gaming experience with features like Auto Game Mode (ALLM) and Motion Xcelerator 120Hz.
- **Samsung TV Plus:** Enjoy free, ad-supported live TV channels and on-demand content.
- **Universal Guide:** Get personalized recommendations for content across various streaming services and live TV.
- **Ambient Mode Plus:** Transform your TV into a decorative display when not in use, blending it seamlessly with your decor.

4.1.3 Audio Features

- **Dolby Atmos:** Experience immersive, multi-dimensional sound that moves around you.
- **Object Tracking Sound Lite (OTS Lite):** Audio follows the action on screen for a more dynamic sound experience.
- **Q-Symphony:** Synchronizes the TV's speakers with your Samsung soundbar for a richer, more

enveloping soundstage.

4.2 Samsung HW-B750D Soundbar Features

4.2.1 Surround Sound Experience

- **Dolby Digital 5.1 / DTS Virtual:X:** Enjoy enhanced surround sound that creates a realistic, multi-directional audio experience without the need for additional speakers.

4.2.2 Enhanced Dialogue

- **Built-in Center/Side Speaker:** Dedicated center and side speakers ensure clear dialogue, making sure you don't miss a word, even during intense action scenes or with background music.

5. MAINTENANCE

5.1 TV and Soundbar Care

- **General Cleaning:** Use a soft, dry cloth to gently wipe dust from the TV screen, frame, and soundbar. Avoid using abrasive materials or harsh chemicals.
- **Ventilation:** Ensure the TV's ventilation openings are not blocked to prevent overheating.
- **Power Off:** Always unplug the devices from the power outlet before performing any cleaning or maintenance.

5.2 Using Walts HDTV Screen Cleaner

1. Ensure the screen is off and cool.
2. Lightly spray the Walts HDTV Screen Cleaner solution onto the provided microfiber cloth, not directly onto the screen.
3. Gently wipe the screen in a circular motion until clean. The non-ammonia and alcohol-free formula prevents dripping, streaking, or staining.
4. Use a dry part of the cloth to buff the screen for a streak-free finish.
5. This cleaner is safe for TVs, monitors, tablets, and other display screens.

6. TROUBLESHOOTING

If you encounter issues, refer to the table below for common problems and solutions.

Problem	Possible Cause	Solution
TV will not turn on	Power cable disconnected; Remote control batteries low	Check power cable connection; Replace remote batteries or charge SolarCell remote.
No picture, but sound is present	Incorrect input source; External device issue	Press the 'Source' button on your remote and select the correct input; Check external device connections.

Problem	Possible Cause	Solution
No sound from TV or Soundbar	Volume muted; Incorrect audio output setting; Soundbar not connected/paired	Unmute volume; Set TV audio output to Soundbar (HDMI ARC/Optical); Ensure soundbar and subwoofer are powered and paired.
Remote control not working	Batteries low; Obstruction; Remote not paired	Charge SolarCell remote or replace batteries; Remove obstructions; Re-pair remote if necessary (refer to TV manual).
Wi-Fi connection issues	Router issue; Incorrect password; Signal interference	Restart your router; Re-enter Wi-Fi password; Move router closer or reduce interference.

7. SPECIFICATIONS

7.1 Samsung QN65Q80DAFXZA 65-inch QLED 4K Smart TV

- **Screen Size:** 65 Inches (166 cm visible diagonal)
- **Display Technology:** QLED
- **Resolution:** 4K (3840 x 2160)
- **Refresh Rate:** 120 Hz
- **Processor:** NQ4 AI Gen2 Processor
- **Special Features:** 4K AI Upscaling, Direct Full Array, Quantum HDR Plus, 100% Color Volume with Quantum Dot, Motion Xcelerator 120Hz, HDR Brightness Optimizer, Supreme UHD Dimming, Real Depth Enhancer, Auto Game Mode (ALLM), Dolby Atmos, Object Tracking Sound Lite, Q-Symphony, Tizen OS, Universal Guide, Ambient Mode Plus, Samsung TV Plus, Samsung Gaming Hub
- **Connectivity:** 4 HDMI Ports (HDMI 2.1, eARC Supported), 2 USB-A Connections, LAN Port, Wi-Fi, Bluetooth Compatible
- **Speaker Type:** Built-In (2.2 Channel)
- **Product Dimensions (with stand):** 56.9" W x 35.1" H x 11.2" D
- **Item Weight:** 57.5 Pounds
- **VESA Compatibility:** 400x300
- **Energy Efficiency:** Energy Star Compliant

7.2 Samsung HW-B750D 5.1Ch Soundbar and Subwoofer

- **Channels:** 5.1 Channel
- **Audio Formats:** Dolby Digital 5.1, DTS Virtual:X
- **Speakers:** Built-in Center/Side Speaker
- **Connectivity:** HDMI (ARC), Optical, Bluetooth
- **Soundbar Dimensions (W x H x D):** 40.5" x 2.3" x 4.1"
- **Subwoofer Dimensions (W x H x D):** 7.2" x 13.5" x 11.6"

8. WARRANTY AND SUPPORT

Your Samsung products are covered by a limited manufacturer's warranty. Please refer to the warranty card included in your product packaging for specific terms and conditions, including coverage duration and limitations.

For technical assistance, troubleshooting, or to register your product, please visit the official Samsung support website or contact their customer service:

- **Samsung Support Website:** www.samsung.com/us/support/

9. PRODUCT VIDEOS

While this product bundle has associated videos, specific URLs for embedding were not provided in the product data. If available, relevant official product videos from the seller would be embedded here to demonstrate features such as:

- **TV Setup Guide:** Visual steps for assembling the stand and connecting cables.
- **Smart TV Features Overview:** A demonstration of the Tizen OS interface, Samsung Gaming Hub, and other smart functionalities.
- **Soundbar Installation & Pairing:** A visual guide for setting up the soundbar and wirelessly connecting the subwoofer.
- **Key Feature Highlights:** Short clips showcasing Direct Full Array, Quantum Dot Color, Dolby Atmos, or Q-Symphony in action.

Please refer to the official Samsung product page or YouTube channel for available video content.
