

VEVOR TN-1122B

VEVOR Precision Miter Gauge

Model: TN-1122B

1. INTRODUCTION

The VEVOR Precision Miter Gauge is an essential accessory for woodworking, designed to provide accurate angle cuts on table saws. Constructed from durable aluminum alloy, it features 15 positive angle stops and a precise grating for fine adjustments. This manual provides detailed instructions for the safe and effective use of your miter gauge.



Figure 1.1: VEVOR Precision Miter Gauge and included accessories.

2. SAFETY INSTRUCTIONS

Always observe the following safety precautions when using the miter gauge with your table saw:

- Read and understand your table saw's instruction manual before using this miter gauge.
- Wear appropriate personal protective equipment (PPE), including safety glasses, hearing protection, and dust mask.
- Ensure the miter gauge is securely seated in the table saw slot before making any cuts.
- Keep hands clear of the saw blade at all times. Use push sticks or push blocks when necessary.
- Do not force the workpiece through the saw. Allow the blade to cut at its own pace.
- Disconnect power to the table saw before making any adjustments or performing maintenance.
- Keep the work area clean and well-lit.

3. PACKAGE CONTENTS

Verify that all items are present upon unboxing:

- 1 x Miter Gauge (Metal Adjustment Plate & Sliding Bar, Pre-Assembled)

- 1 x 18 in Grating
- 1 x Grating Limiter
- 1 x Handle
- 1 x Hex Wrench (4 mm)
- 1 x Hex Wrench (2 mm)



Figure 3.1: Miter gauge components as received in semi-assembled packaging.

4. SETUP AND ASSEMBLY

The VEVOR Precision Miter Gauge is shipped partially assembled to simplify setup. Follow these steps to prepare it for use:

1. **Unpack Components:** Carefully remove all components from the packaging.
2. **Attach Grating:** Secure the 18-inch grating to the main miter gauge body using the provided hardware. Ensure it is aligned correctly.
3. **Attach Handle:** Fasten the handle to the designated point on the miter gauge.

4. **Verify Table Saw Slot Compatibility:** This miter gauge is designed for standard table saw slots measuring $3/4 \times 3/8$ inches (19 x 9.5 mm). It is compatible with both T-shaped and U-shaped slots due to its detachable disc. Measure your table saw's slots to confirm compatibility before proceeding.



Figure 4.1: Miter gauge slot compatibility with T-miter and U-shape slots.

5. **Adjust Miter Bar Fit:** The steel miter bar features an adjustable bead spring plunger. If you notice any gaps or excessive play when placing the miter gauge in your table saw slot, use the included hex wrench (2mm or 4mm, depending on the specific screw) to adjust the plunger. Turn the screw clockwise to expand the plunger for a tighter fit, or counter-clockwise to loosen it. Adjust until the miter gauge slides smoothly without wobbling.

5. OPERATION

Using the VEVOR Precision Miter Gauge for accurate cuts:

1. **Set the Angle:** The miter gauge features 15 positive stop holes for common angles: 15° , 22.5° , 30° , 35° , 45° , 60° , 67.5° , 90° , and their negative counterparts. To set an angle, loosen the locking knob, rotate the aluminum head to the desired positive stop, and then tighten the knob securely. For angles not covered by the positive stops, align the pointer with the etched scale and lock it in place.



Figure 5.1: Angle plate with 15 positive stops for precise angle setting.

2. **Micro-Adjustments:** For even finer adjustments, the miter gauge includes a convex-concave grating with fine-tuning screws. These allow for minute adjustments to achieve exact angles beyond the positive stops.
3. **Position Workpiece:** Place your workpiece firmly against the miter gauge fence. Use the grating limiter to set the desired cut length if needed.
4. **Make the Cut:** With the table saw powered on and the blade at full speed, slowly and steadily push the miter gauge and workpiece through the saw blade. Maintain firm pressure against the fence and the table surface throughout the cut.

WIDELY APPLICABLE



Wood Connection



Woodworking DIY



Garden Maintenance



Mechanical Assembly

Figure 5.2: The miter gauge is widely applicable for various woodworking tasks.

6. MAINTENANCE

Proper maintenance ensures the longevity and accuracy of your miter gauge:

- **Cleaning:** After each use, wipe down the miter gauge with a clean, dry cloth to remove sawdust and debris. For stubborn residue, use a mild cleaner and dry thoroughly.
- **Lubrication:** Periodically apply a dry lubricant (e.g., silicone spray or paste wax) to the steel miter bar and the table saw slots to ensure smooth sliding. Avoid oil-based lubricants that can attract dust.
- **Inspection:** Regularly inspect all fasteners and moving parts for wear or damage. Tighten any loose screws.
- **Storage:** Store the miter gauge in a clean, dry place to prevent corrosion and damage.

7. TROUBLESHOOTING

Common issues and their solutions:

- **Miter Gauge Wobbly in Slot:** Adjust the bead spring plunger on the steel miter bar using the appropriate hex

wrench until a snug fit is achieved.

- **Miter Gauge Stiff to Slide:** Clean the miter bar and table saw slots thoroughly. Apply a dry lubricant to both surfaces. Ensure the bead spring plunger is not overtightened.
- **Inaccurate Angle Cuts:** Verify that the angle locking knob is fully tightened. Check the calibration of your table saw's blade to the miter slot. Ensure the workpiece is held firmly against the fence during the cut.
- **Difficulty Rotating Angle Plate:** Ensure the locking knob is fully loosened. If still stiff, apply a small amount of dry lubricant to the pivot point and work the mechanism back and forth.

8. SPECIFICATIONS

Feature	Detail
Item Model Number	TN-1122B
Main Material	Aluminum Alloy
Angle Fixing Method	15 Positive Stops
Number of Angle Adjustment	15°, 22.5°, 30°, 35°, 45°, 60°, 67.5°, 90°, -67.5°, -60°, -45°, -35°, -30°, -22.5°, -15°
Applicable T-slot	0.75 x 0.375 in / 19 x 10 mm
Product Dimensions	17.7 x 17.7 x 4.7 in / 450 x 450 x 120 mm
Net Weight	3.6 lbs / 1.61 kg

Item Model Number: TN-1122B

Main Material: Aluminum Alloy

Angle Fixing Method: 15 Positive Stops

Product Dimensions: 17.7 x 21.7 x 4.7 in
450 x 550 x 120 mm

Net weight: 3.6 lbs/1.61 kg

Number of Angle Adjustment:

15°, 22.5°, 30°, 35°, 45°, 60°, 67.5°, 90°(0°),
-67.5°, -60°, -45°, -35°, -30°, -22.5°, -15°

Applicable T-slot: 0.75 x 0.375 in/19 x 9.5 mm

Package Content:

1 x Miter Gauge (Metal Adjustment Plate & Sliding Bar, Pre-Assembled) 1 x Handle
1 x Hex Wrench (3 mm) 1 x Hex Wrench (4 mm)
1 x Hex Wrench (2 mm) 1 x Open Spanner
1 x 18 in Grating 1 x Grating Limiter

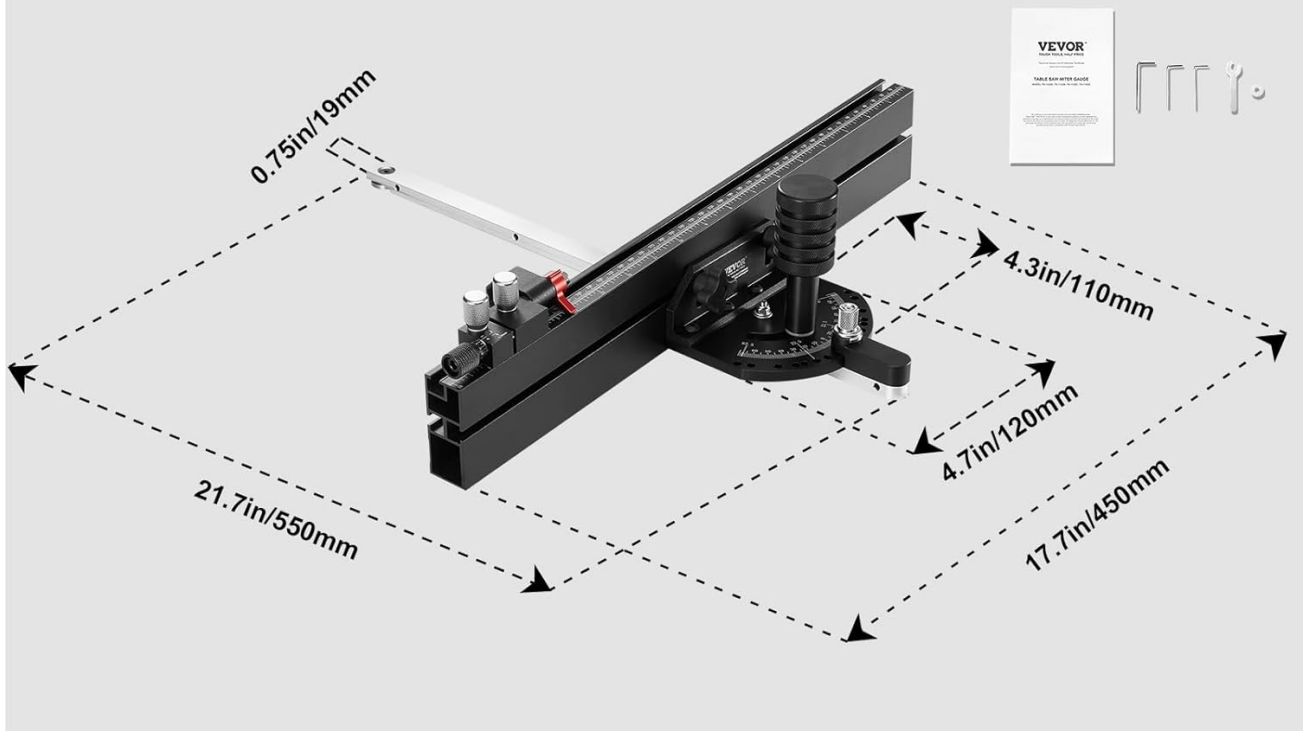


Figure 8.1: Detailed dimensions and specifications of the VEVOR Miter Gauge.

9. WARRANTY AND SUPPORT

Specific warranty information for this product is not provided in this manual. For warranty details, product support, or technical assistance, please contact VEVOR customer service directly through their official website or the retailer from whom the product was purchased. Please have your model number (TN-1122B) and purchase information ready when contacting support.