

[Manuals.plus](#) /

> [KastKing](#) /

> KastKing Rover Round Baitcasting Reel and Kong Casting Rod User Manual

KastKing Rover & Kong Casting Rod 8'

KastKing Rover Round Baitcasting Reel and Kong Casting Rod User Manual

Model: Rover & Kong Casting Rod 8'

Brand: KastKing

INTRODUCTION

This manual provides essential information for the proper setup, operation, and maintenance of your KastKing Rover Round Baitcasting Reel and Kong Casting Rod. Designed for both freshwater and saltwater applications, this combo offers robust performance and durability. Please read this manual thoroughly to ensure optimal use and longevity of your fishing equipment.



Image: The KastKing Rover Round Baitcasting Reel paired with the Kong Casting Rod, showcasing the complete fishing combo.

SETUP

1. Attaching the Reel to the Rod

1. Align the reel foot with the reel seat on the Kong Casting Rod.
2. Tighten the reel seat locking nut securely until the reel is firmly attached and does not wobble.



Image: A close-up view of the KastKing Rover Round Baitcasting Reel, highlighting its full metal body construction, suitable for saltwater use.

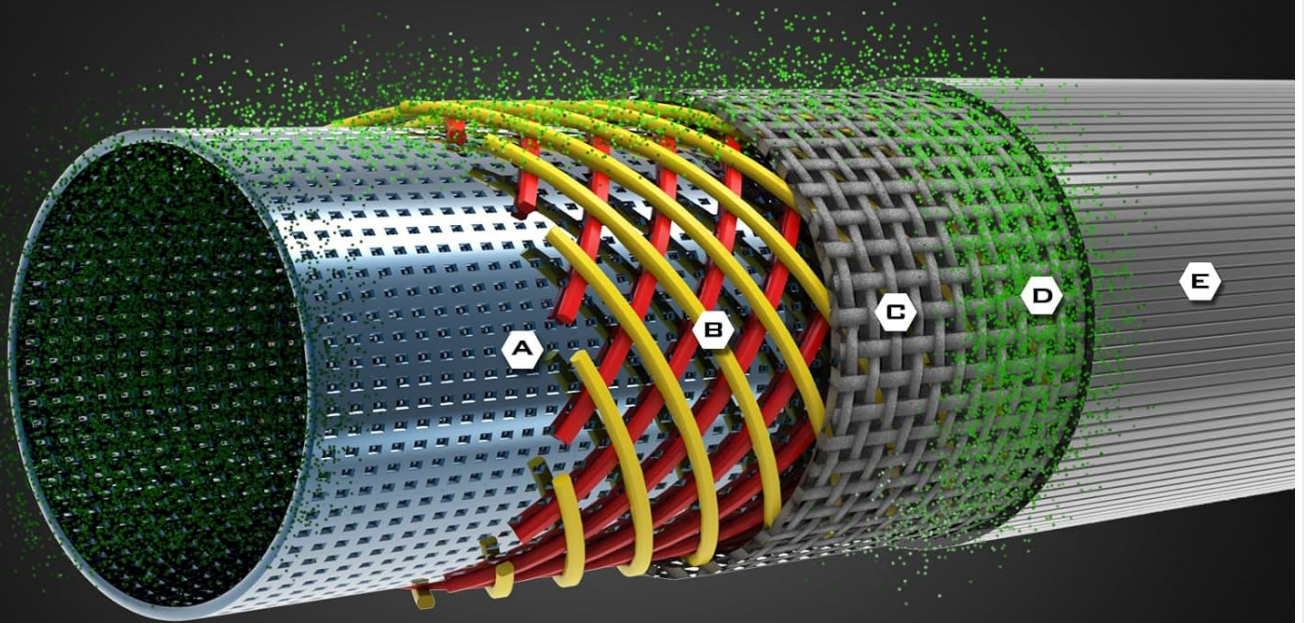
2. Spooling Fishing Line

The KastKing Rover reel features a high-capacity spool designed for various line types, including braided line.

1. Securely tie the fishing line to the reel spool using an arbor knot or similar secure knot.
2. Ensure the line is spooled evenly and tightly onto the reel. Avoid overfilling or underfilling the spool.
3. For optimal performance, refer to the reel's specifications for recommended line capacity.

POWERFUL S-CURVE GRAPHITE BLANKS

FOR INCREDIBLE STRENGTH, SENSITIVITY AND PERFORMANCE



A HIGH MODULUS CARBON CORE

B S-CURVE CARBON FIBERS

C WOVEN REINFORCING LAYER

D NANO RESINS

E HIGH MODULUS GRAPHITE BLANK

Image: The golden spool of the KastKing Rover reel, illustrating its design for higher line capacity.

OPERATING INSTRUCTIONS

1. Casting

- Press the thumb bar spool release to disengage the spool.
- With a smooth motion, cast your lure or bait. As the lure flies, lightly feather the spool with your thumb to prevent backlashes.
- Once the lure hits the water, engage the reel by turning the handle.

2. Drag System Adjustment

The KastKing Rover reel features a carbon fiber drag system offering up to 30 lbs of smooth drag.

- Adjust the star drag knob to set the desired drag tension. Turn clockwise to increase drag, counter-clockwise to decrease.

- Set the drag to approximately one-third of your line's breaking strength.
- The drag system is crucial for fighting fish and preventing line breakage.



UP TO **30Lbs**
OF MAX DRAG

Provided by Dual Carbon Fiber Drag Washers

Image: An exploded view illustrating the carbon fiber drag washers of the KastKing Rover reel, capable of providing up to 30 lbs of max drag.

3. Rod Features for Operation

The Kong Casting Rod is designed with features to enhance your fishing experience.

- **Highly Visible Strike Tip:** The bright tip allows for easy detection of subtle bites, especially in low light conditions.
- **Stainless-Steel Double Foot Guides:** These guides with Titanium Oxide rings ensure smooth line flow and durability, especially with braided lines.
- **EVA Foregrip and Rubber Cross Wrap Rear Handles:** Provide comfortable and secure grip during casting and retrieving.

HIGHLY VISIBLE STRIKE TIP

FOR EASY STRIKE DETECTION IN LOW LIGHT CONDITIONS



Image: A close-up of the Kong Casting Rod's highly visible strike tip, designed for improved bite detection.

STAINLESS-STEEL DOUBLE FOOT GUIDES

WITH ULTRA-SMOOTH TITANIUM OXIDE RINGS

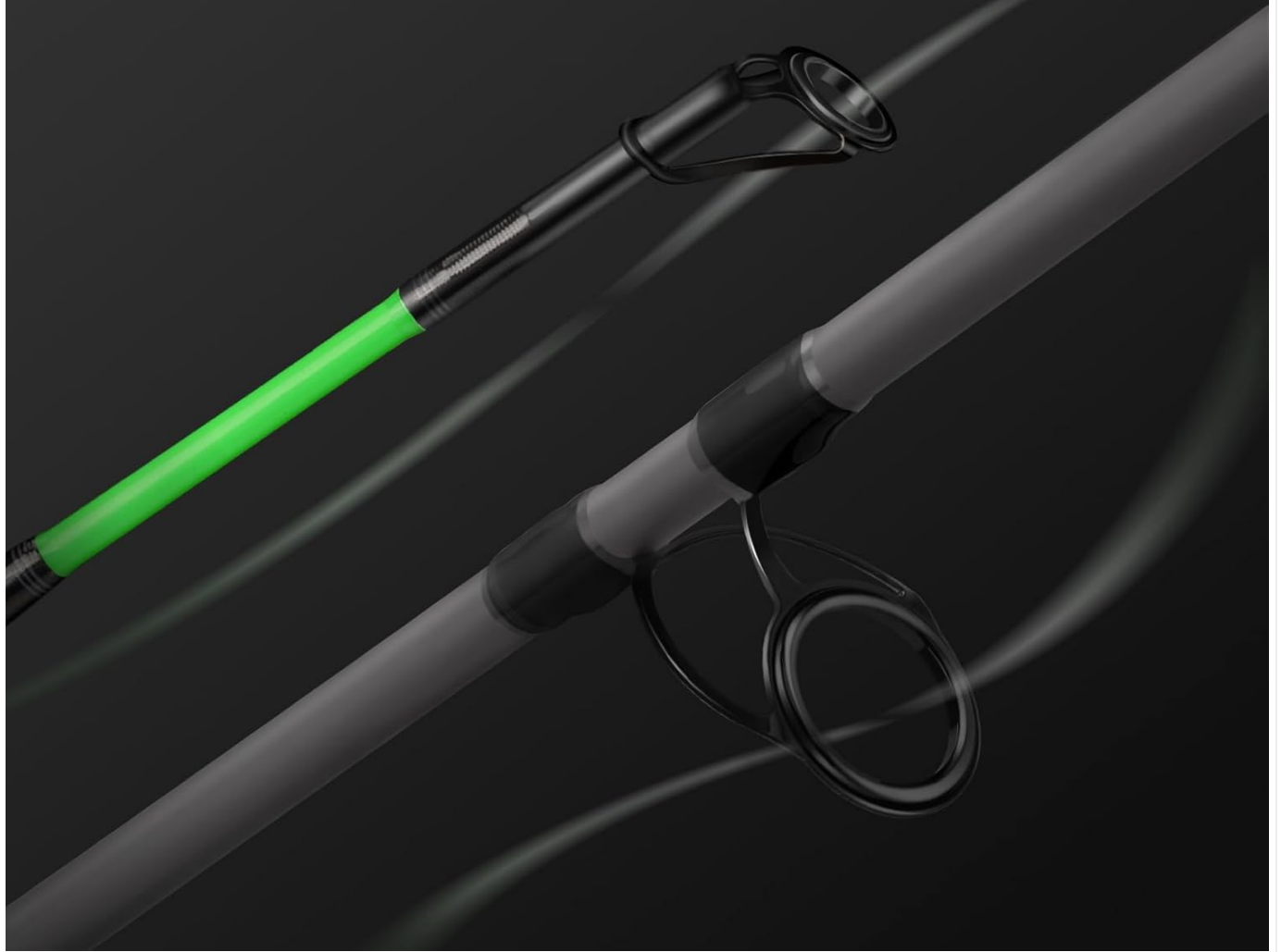


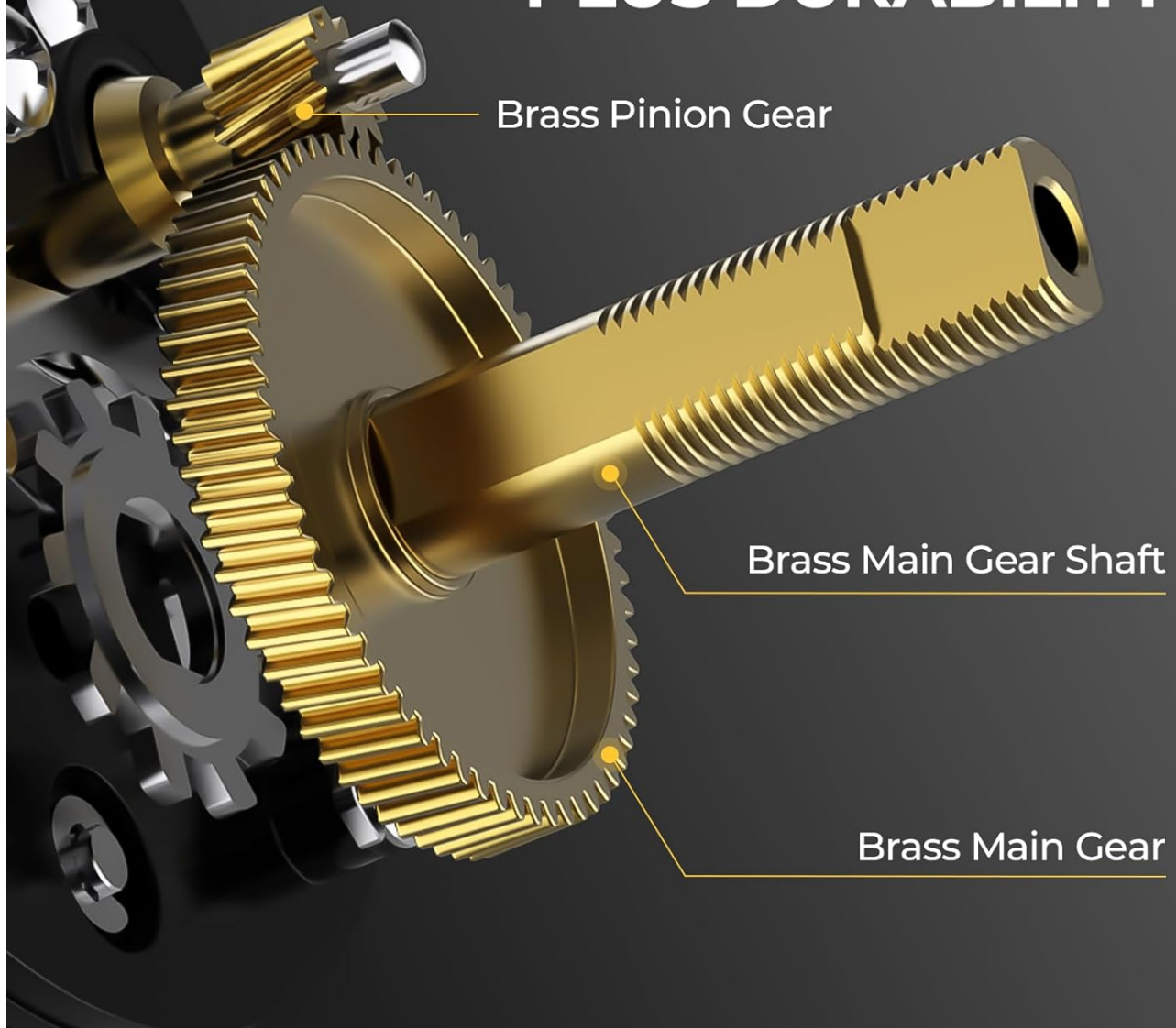
Image: Detail of the stainless-steel double foot guides with ultra-smooth Titanium Oxide rings on the Kong Casting Rod.

MAINTENANCE

Regular maintenance will extend the life and performance of your KastKing Rover Reel and Kong Rod.

- **Cleaning:** After each use, especially in saltwater, rinse the reel and rod with fresh water. Wipe down with a soft cloth. Do not submerge the reel.
- **Lubrication:** Periodically apply a small amount of reel oil to moving parts and grease to gears. Refer to a reel maintenance guide for specific lubrication points.
- **Inspection:** Regularly check all components for wear, corrosion, or damage. Pay attention to the gears, bearings, and rod guides.
- **Storage:** Store your reel and rod in a dry, cool place away from direct sunlight and extreme temperatures.

EXCEPTIONAL STRENGTH PLUS DURABILITY



Brass Pinion Gear

Brass Main Gear Shaft

Brass Main Gear

Image: An internal view of the KastKing Rover reel, showing the brass pinion gear, main gear shaft, and main gear, which contribute to its exceptional strength and durability.

TROUBLESHOOTING

Problem	Possible Cause	Solution
Reel not casting smoothly / Backlash	Spool tension too loose, improper thumb control, overfilled spool.	Adjust spool tension, practice thumb control, ensure proper line fill.
Drag slipping or inconsistent	Drag washers are wet, dirty, or worn; drag not set correctly.	Clean and dry drag washers, replace if worn, adjust drag knob properly.
Reel handle stiff or grinding	Lack of lubrication, dirt/debris inside reel, damaged gears/bearings.	Clean and lubricate reel, inspect for debris, consider professional service if parts are damaged.

Problem	Possible Cause	Solution
Rod guides damaged or bent	Impact or improper handling.	Replace damaged guides to prevent line fraying.

SPECIFICATIONS

Key specifications for the KastKing Rover Round Baitcasting Reel and Kong Casting Rod:

- **Brand:** KastKing
- **Model Name:** Rover (Reel)
- **Style:** Kastking Rover Baitcasting Reel & Kong Casting Rod 8'
- **Hand Orientation:** Right Hand
- **Color:** Black
- **Reel Material:** Thicker hard anodized aluminum, brass, alloy, stainless steel, CNC machined spool
- **Rod Material:** S-Curve Graphite reinforced with Nano-Resin technology
- **Fishing Technique:** Trolling, Bottom Fishing
- **Special Feature (Reel):** Anti Slip TPE grips, Line out clicker alarm
- **Fishing Line Type:** Braided (recommended)
- **Bearing Material:** Stainless Steel
- **Bearing Number:** 1
- **Fishing Reel Maximum Drag:** Up to 30 Pounds
- **Rod Guides:** Stainless-Steel Double Foot Guides with Titanium Oxide rings
- **Rod Handle Material:** EVA Foregrip and Rubber Cross Wrap Rear Handles

HIGHER LINE CAPACITY



Image: An illustration detailing the construction of the Kong Casting Rod's S-Curve Graphite Blanks, showing layers of high modulus carbon core, S-Curve carbon fibers, woven reinforcing layer, nano resins, and high modulus graphite blank.

WARRANTY AND SUPPORT

For detailed warranty information and customer support, please refer to the official KastKing website or contact their customer service directly.

You can also visit the [KastKing Store on Amazon](#) for more product information and support options.

Note: No official product videos were available in the provided data for this manual.

