



Manuals.plus /

› YIHAM /

› YIHAM Grill Replacement Parts Instruction Manual for Outdoor Gourmet 6 Burner Models GR2205723-OG-00, GR2205720-OG-00, GR2323101-OG-00, GR2205501-OG-00 (Model KZ960-6)

## YIHAM KZ960-6

# YIHAM Grill Replacement Parts Instruction Manual

For Outdoor Gourmet 6 Burner Gas Grill Models

## 1. PRODUCT OVERVIEW

---

This manual provides essential information for the installation and maintenance of your YIHAM grill replacement parts. These parts are designed to restore the performance of your Outdoor Gourmet gas grill by replacing worn or damaged burner tubes and heat shields.

### 1.1 Compatibility

These replacement parts are compatible with the following Outdoor Gourmet 6-burner gas grill models:

- GR2205720-OG-00
- FSOGBG1108
- GR2205723-OG-00
- 162193
- GR2205501-OG-00
- FSOGBG1107
- GR2205520-OG-00
- GR2323101-OG-00
- 162195
- GR2215120-OG-00
- FSOGBG1106
- GR2215101-OG-00
- Rankam GR2205720-OG-00

Also compatible with Outdoor Gourmet Part Number UFHP2.

### 1.2 Package Contents

The package includes:

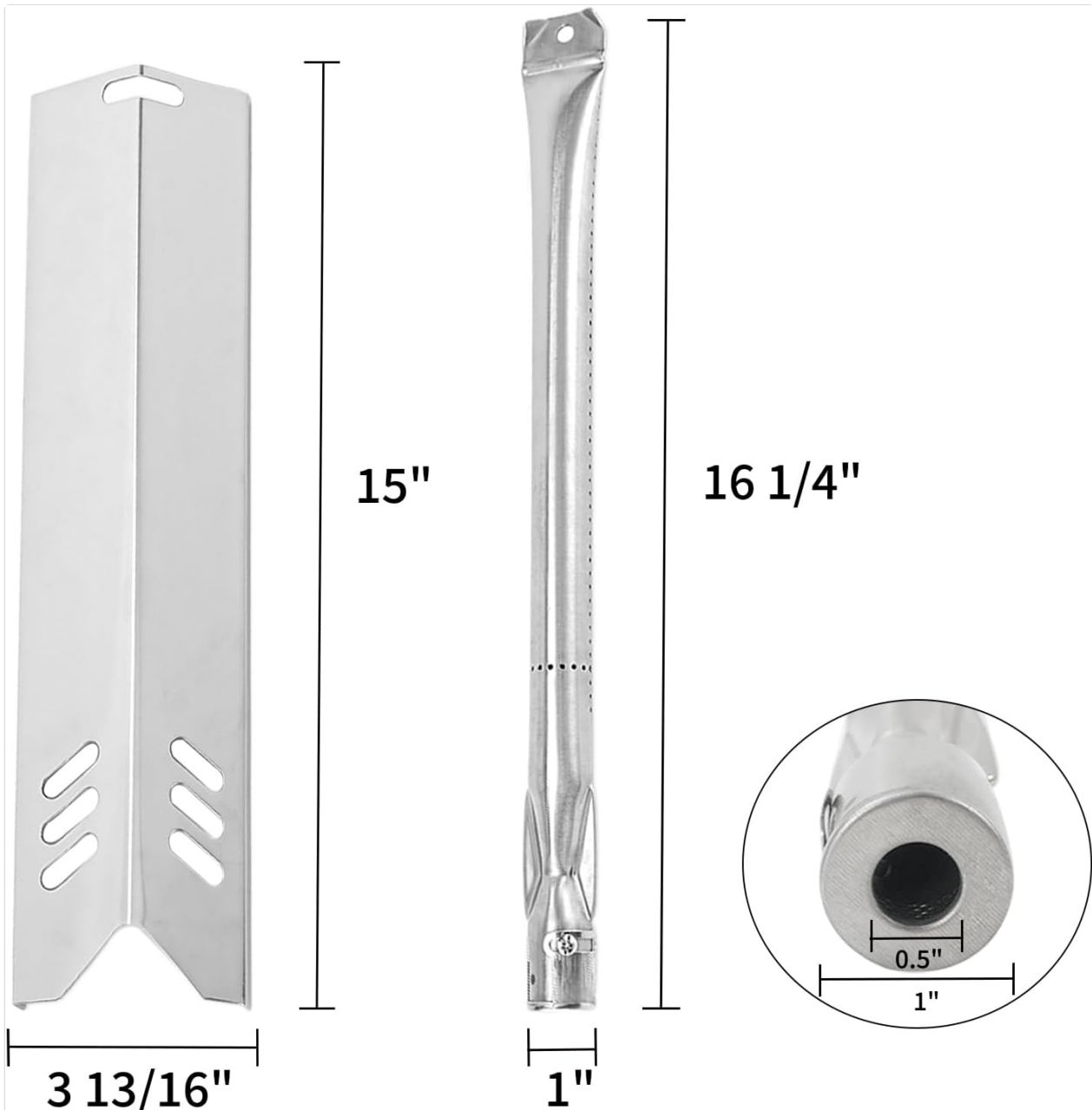
- Six (6) Grill Burner Tubes
- Six (6) Heat Shields (Heat Plates/Heat Tents)

## 2. PRODUCT DIMENSIONS

---

Ensure these dimensions match your existing grill parts for proper fitment.

- **Burner Tube:** 16 1/4 inches (41.27 cm) long, 1 inch (2.54 cm) diameter.
- **Heat Plate:** 15 inches (38.1 cm) long, 3 13/16 inches (9.68 cm) wide.



This image illustrates the dimensions of the replacement burner tube, measuring 16 1/4 inches long and 1 inch in diameter, and the heat plate, measuring 15 inches long by 3 13/16 inches wide.

## 3. MATERIAL AND FUNCTIONALITY

---

### 3.1 Material

These grill replacement parts are constructed from premium stainless steel, offering excellent heat resistance and corrosion resistance for long-lasting performance in outdoor grilling environments.

### 3.2 Functionality

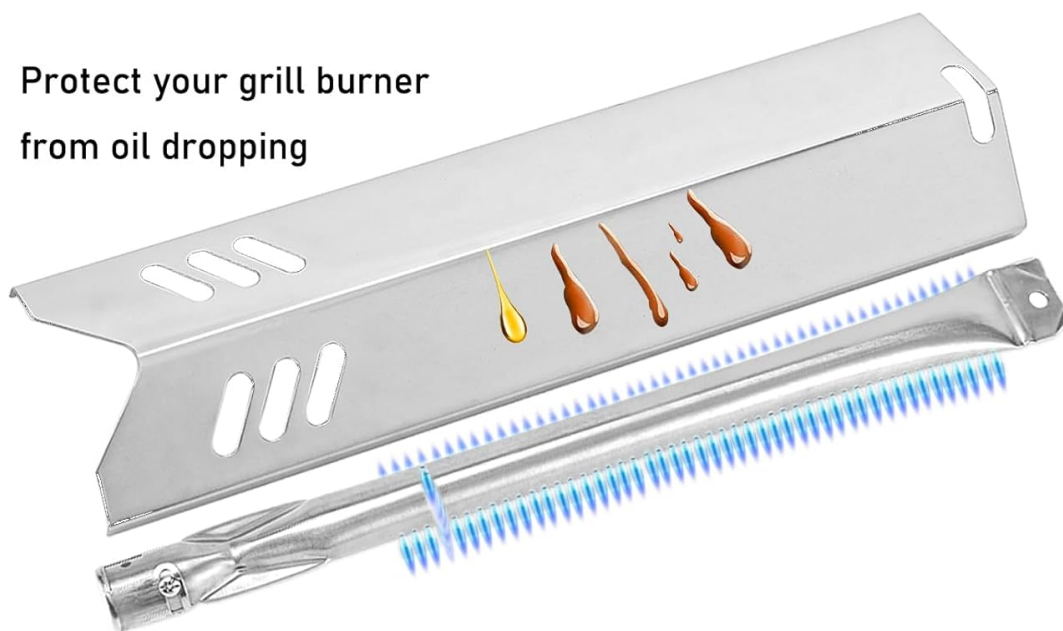
The burner tubes are designed to distribute gas evenly, ensuring a consistent and uniform flame across the cooking surface. The heat shields, also known as heat tents or flavorizer bars, serve multiple critical functions:

- **Even Heat Distribution:** They catch the flame's heat and spread it uniformly across the grill grates, reducing hot and cold spots.
- **Burner Protection:** They prevent grease, food drippings, and other residues from directly contacting and clogging the burner tube holes, thereby prolonging the life of the burners.
- **Flavor Enhancement:** Vaporizing drippings create smoke that infuses food with a distinct grilled flavor.

## Heat Resistant Stainless Steel Heat Plate Distribute Heat Evenly

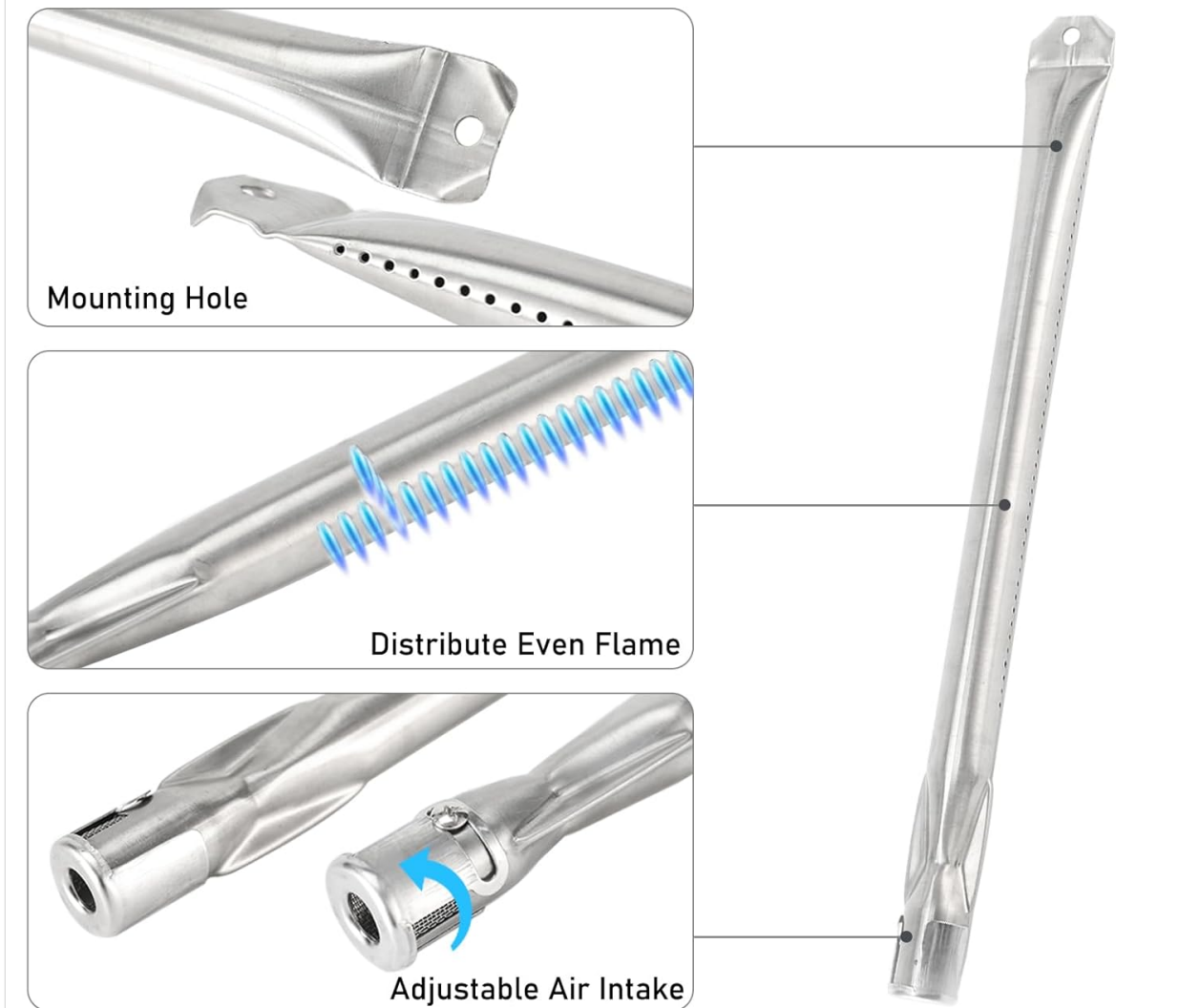


Protect your grill burner  
from oil dropping



This image demonstrates how the heat plate shields the burner tube from grease and food debris, preventing blockages and extending the burner's lifespan.

# Heat Resistant Stainless Steel Burner Tube



This image highlights key features of the burner tube, including the mounting hole for secure installation, perforations for even flame distribution, and an adjustable air intake for optimal performance.

## 4. INSTALLATION GUIDE

Follow these steps to safely replace your grill's burner tubes and heat shields.

### 4.1 Safety Precautions

- Ensure the grill is completely cool and all gas supply is turned off and disconnected before beginning any work.
- Wear protective gloves to avoid cuts from sharp edges.

### 4.2 Installation Steps

1. **Remove Grill Grates and Briquette Trays:** Carefully lift out the cooking grates and any briquette trays or heat diffusers to expose the heat shields and burner tubes.
2. **Remove Old Heat Shields:** Lift out the old heat shields. Note their orientation for correct placement of the new ones.
3. **Remove Old Burner Tubes:** Disconnect the burner tubes from the gas valves (usually held by a screw

or clip) and carefully slide them out.

4. **Clean Grill Interior:** Use a grill brush or scraper to remove any accumulated grease, rust, or debris from the firebox. This is an opportune time for thorough cleaning.
5. **Install New Burner Tubes:** Slide the new burner tubes into position, ensuring they are properly seated over the gas valve orifices. Secure them with any necessary screws or clips.
6. **Install New Heat Shields:** Place the new heat shields over the burner tubes, ensuring they are correctly aligned and cover the burners as intended.
7. **Reinstall Grill Components:** Replace the briquette trays (if applicable) and cooking grates.
8. **Test for Leaks (Gas Grills):** Reconnect the gas supply. Before lighting, perform a leak test using a soapy water solution on all gas connections. Bubbles indicate a leak. Tighten connections or replace parts as needed.
9. **Test Burners:** Light the grill and observe the flames. They should be blue and consistent across each burner.



This image shows the significant improvement in a grill's interior after replacing old, worn-out heat plates with new ones, illustrating the visual and functional benefits of replacement.



Improve your grilling surface by replacing the burners

This image displays newly installed burner tubes operating correctly, producing consistent blue flames across the grilling surface, indicating proper gas flow and combustion.

Your browser does not support the video tag.

This video demonstrates the YIHAM grill replacement parts, including burner tubes and heat shields, highlighting their design and compatibility with Outdoor Gourmet 6-burner grills.

## 5. MAINTENANCE

---

Regular maintenance will extend the life of your replacement parts and ensure optimal grill performance.

- **Regular Cleaning:** After each use, allow the grill to cool, then brush off any food residue from the heat shields and burner tubes.
- **Deep Cleaning:** Periodically, remove the heat shields and burner tubes for a more thorough cleaning. Use warm soapy water and a non-abrasive brush or sponge. Rinse thoroughly and dry completely before reinstalling.
- **Inspect for Damage:** Regularly inspect the parts for signs of wear, corrosion, or damage. Replace any severely damaged components to maintain safety and performance.
- **Avoid Harsh Chemicals:** Do not use harsh chemical cleaners or abrasive pads, as these can damage the stainless steel finish.

## 6. TROUBLESHOOTING

If you encounter issues after installing your new parts, consider the following common problems and solutions:

Problem	Possible Cause	Solution
Uneven heating or cold spots	Heat shields not properly aligned or damaged.	Ensure heat shields are correctly positioned over burners. Inspect for damage and replace if necessary.
Weak or yellow flames	Burner tube orifices clogged or air intake misadjusted.	Clean burner tube holes with a wire brush. Check and adjust the air intake shutter on the burner tube if present. Ensure gas supply is adequate.
Gas smell or hissing sound	Gas leak at connections.	Immediately turn off gas supply. Perform a soapy water leak test on all connections. Tighten connections or replace faulty components. Do not operate the grill if a leak is detected.
Burners not lighting	Igniter issue or gas flow problem.	Check if igniter sparks. Ensure gas is flowing to the burners. Verify burner tubes are correctly seated over valve orifices.

## 7. SPECIFICATIONS

Feature	Detail
Brand	YIHAM
Model Name	KZ960-6
Product Dimensions (Overall)	16.25"D x 4"W x 2"H
Material	Stainless Steel
Special Feature	Corrosion Resistant
Color	Silver
Fuel Type	Gas
Recommended Uses	Outdoor Grilling
Finish Type	Non-Stick (referring to surface properties)
Assembly Required	No (for the parts themselves, installation is required)
Item Weight	2.2 Pounds (approximate package weight)
Installation Type	Free Standing (referring to the grill type these parts fit)
Main Burner Count	6 (for compatible grills)
Heating Elements	6 (for compatible grills)

