

## Halitaa Halitaa

# Halitaa Outdoor Grill Cart with Stainless Steel Top

Model: Halitaa

<a href="#">Contents</a>	<a href="#">Assembly</a>	<a href="#">Operation</a>	<a href="#">Safety Information</a>	<a href="#">Package</a>	<a href="#">Maintenance</a>	<a href="#">Troubleshooting</a>	<a href="#">Specifications</a>	<a href="#">Warranty &amp; Support</a>
--------------------------	--------------------------	---------------------------	------------------------------------	-------------------------	-----------------------------	---------------------------------	--------------------------------	--

## 1. SAFETY INFORMATION

---

Please read and understand all safety instructions before assembling or using this product. Failure to follow these instructions may result in injury or product damage.

- **Stability:** Use caution when moving the cart, especially on uneven surfaces, to prevent tipping.
- **Brakes:** Ensure wheel locks are engaged when the cart is stationary to maintain stability and prevent unintended movement.
- **Assembly:** Always follow the assembly instructions carefully to avoid pinch points and other hazards. Keep small parts away from children.
- **Weight Limit:** Do not exceed the countertop weight limit of 88.18 lbs (40 kg). Overloading can compromise stability and cause damage.
- **Placement:** Position the cart on a flat, stable surface. Avoid placing it near open flames or extreme heat sources.

## 2. PACKAGE CONTENTS

---

Verify that all components are present before beginning assembly. If any parts are missing or damaged, contact customer support.

- Main Cart Frame Components (wood panels, shelves)
- Stainless Steel Top
- 4 x Swivel Caster Wheels with Locks
- 1 x Stainless Steel Handle/Towel Bar
- 3 x Hanging Hooks

- 1 x Spice Rack (pull-out drawer)
- 1 x Waterproof Dust Cover
- Hardware Pack (screws, bolts, nuts, Allen wrench)
- Instruction Manual

### 3. ASSEMBLY INSTRUCTIONS

---

Follow these steps to assemble your Halitaa Outdoor Grill Cart. It is recommended to have two people for assembly.

1. **Unpack and Identify Parts:** Carefully remove all components from the packaging. Lay them out on a clean, soft surface to prevent scratches. Refer to the parts list to identify each component.
2. **Attach Caster Wheels:** Securely attach the four 360° swivel caster wheels to the bottom of the main cart frame using the provided hardware. Ensure the locking mechanism on each wheel is functional.
3. **Assemble Base Frame:** Connect the side and back panels of the lower cabinet using the designated screws and connectors. Do not overtighten.
4. **Install Interior Shelves:** Insert the adjustable interior shelves into the cabinet. The shelves can be removed or adjusted to accommodate different sized items.
5. **Attach Cabinet Doors:** Mount the cabinet doors to the front of the lower cabinet using the provided hinges and screws. Ensure they open and close smoothly.
6. **Install Upper Frame:** Attach the upper frame components that support the stainless steel top and the middle shelf.
7. **Place Stainless Steel Top:** Carefully place the stainless steel countertop onto the top of the assembled frame. Secure it with the appropriate fasteners.
8. **Attach Side Accessories:** Install the stainless steel handle/towel bar on one side and the spice rack (pull-out drawer) on the other. Attach the hanging hooks to the towel bar.



Image 3.1: Overview of the Halitaa Outdoor Grill Cart with dimensions and weight limit. The cart measures 19.7 inches in length, 19.7 inches in width, and 36.2 inches in height. The countertop has a weight limit of 88.18 lbs.

# Dimension & Load

88.18 LBS counter top weight limit

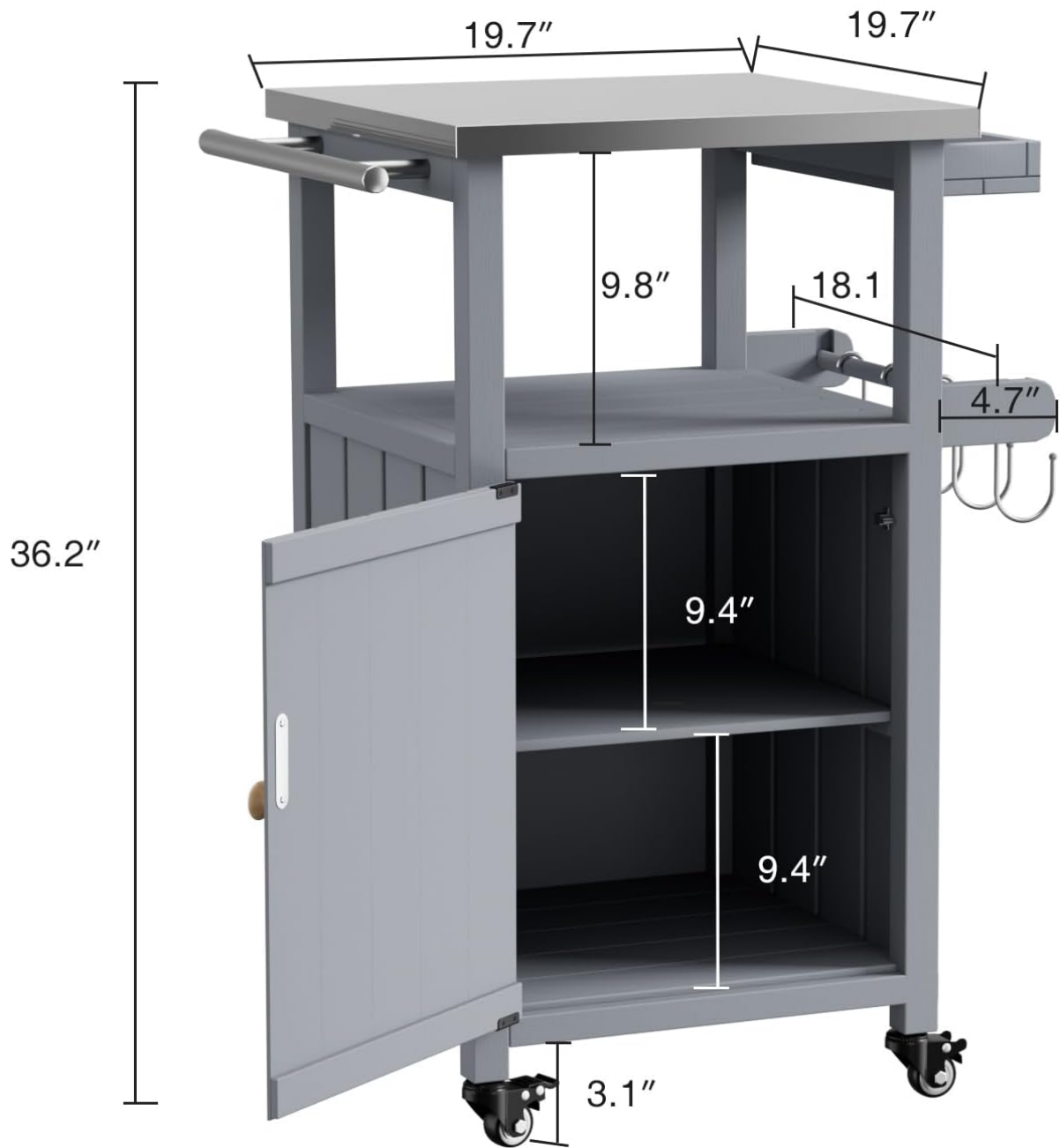


Image 3.2: Key features of the grill cart, including the stainless steel top, stainless steel handle, spice rack, towel holder, embossed craft detailing, and locking caster wheels.

# 201 Grade Stainless Steel Top

It offers ample space for meal and fruit storage while providing ample space for cooking preparation!



Image 3.3: Close-up details showing the stainless steel top, solid wood construction, the included waterproof dust cover, and the 360° moving wheels with locking mechanisms.

## 4. OPERATING INSTRUCTIONS

---

Your Halitaa Outdoor Grill Cart is designed for versatile use in outdoor settings.

- **Preparation Surface:** Use the stainless steel top as a clean and spacious area for food preparation, serving, or holding beverages.
- **Mobility:** To move the cart, unlock all four caster wheels. Push or pull the cart using the stainless steel handle. When the cart is in the desired position, engage the wheel locks to secure it.
- **Storage:** The enclosed cabinet provides hidden storage for plates, napkins, and other outdoor essentials. The adjustable shelves allow for customization to fit various items, including small fuel tanks or cookware. Utilize the pull-out spice rack for condiments and the hanging hooks for towels or grilling tools.

Your browser does not support the video tag.

Video 4.1: This video demonstrates the Halitaa Outdoor Grill Cart in various outdoor settings, showcasing its mobility, storage capabilities, and use as a preparation and serving station for outdoor gatherings.

## 5. MAINTENANCE

---

Regular maintenance will ensure the longevity and appearance of your grill cart.

- **Cleaning the Stainless Steel Top:** Wipe the stainless steel surface with a damp cloth and mild soap. For stubborn stains, use a non-abrasive stainless steel cleaner. Dry thoroughly to prevent water spots.
- **Cleaning the Wood Frame:** Wipe the wood frame with a damp cloth. Avoid harsh chemicals or abrasive cleaners that could damage the finish.
- **Dust Cover:** Use the provided waterproof dust cover when the cart is not in use or during inclement weather to protect it from elements and prolong its lifespan.
- **Wheel Inspection:** Periodically check the caster wheels for debris and ensure they rotate freely. Lubricate if necessary. Verify that the wheel locks engage properly.
- **Hardware Check:** Occasionally inspect all screws and bolts to ensure they are tight. Retighten as needed to maintain structural integrity.

## 6. TROUBLESHOOTING

---

If you encounter issues with your Halitaa Outdoor Grill Cart, refer to the following common solutions:

Problem	Possible Cause	Solution
Cart is wobbly or unstable.	Loose hardware; uneven surface.	Check and tighten all screws and bolts. Ensure the cart is on a flat, level surface. Engage wheel locks.
Wheels do not roll smoothly.	Debris in casters; lack of lubrication.	Clean any debris from the wheels. Apply a silicone-based lubricant to the wheel axles if necessary.
Cabinet doors do not close properly.	Misaligned hinges; loose screws.	Adjust hinge screws to realign doors. Ensure all hinge screws are tight.
Stainless steel top has water spots or streaks.	Improper cleaning or drying.	Clean with a damp cloth and mild soap, then dry immediately with a clean, soft cloth. Use a stainless steel cleaner for best results.

## 7. SPECIFICATIONS

---

- **Model:** Halitaa
- **Dimensions:** 19.7 x 19.7 x 36.2 inches (Length x Width x Height)
- **Frame Material:** Solid Wood (Grey Painted Finish)
- **Countertop Material:** 201 Grade Stainless Steel
- **Countertop Weight Limit:** 88.18 lbs (40 kg)
- **Wheels:** 4 x 360° Swivel Caster Wheels with Locks
- **Storage:** Enclosed cabinet with adjustable interior shelves, pull-out spice rack, side towel bar with hooks.
- **Care Instructions:** Wipe with Damp Cloth

## 8. WARRANTY & SUPPORT

---

Halitaa stands behind the quality of its products. For specific warranty details, please refer to the warranty card included with your purchase or visit the official Halitaa website.

If you have any questions, require assistance with assembly, or need to report missing/damaged parts, please contact our customer support team:

- **Website:** [Halitaa Official Store](#)
- **Email:** [Insert Customer Support Email Here]
- **Phone:** [Insert Customer Support Phone Number Here]

Please have your model number (Halitaa) and purchase information ready when contacting support.