



[Manuals.plus](#) /

› [EnHomee](#) /

› EnHomee King Size Upholstered Platform Bed Frame with Storage Headboard and Drawers - Instruction Manual

EnHomee King Bed Frame

EnHomee King Size Upholstered Platform Bed Frame

Model: King Bed Frame (Grey) - Instruction Manual

1. INTRODUCTION

Thank you for choosing the EnHomee King Size Upholstered Platform Bed Frame. This bed frame is designed to provide a comfortable and functional sleeping solution, featuring a 2-tier storage headboard and two integrated storage drawers. This manual contains important information regarding the assembly, operation, and maintenance of your new bed frame. Please read it thoroughly before assembly and retain it for future reference.



Image 1.1: The EnHomee King Size Upholstered Platform Bed Frame in a bedroom setting, showcasing the storage headboard and pull-out drawers.

2. SAFETY INFORMATION

Please observe the following safety guidelines to ensure safe use and prevent injury or damage:

- Assemble the bed frame strictly according to the provided instructions, ensuring all connections are stable and secure.
- Do not exceed the maximum weight capacity of **900 pounds** for the bed frame.
- Exercise caution during assembly to avoid potential pinch points or sharp edges.
- Always use a suitable and compatible mattress with the bed frame for optimal stability and safety.
- Keep small parts and packaging materials away from children to prevent choking hazards.

3. PACKAGE CONTENTS

Before beginning assembly, verify that all components are present and undamaged. The package includes:

- Upholstered Headboard with 2-Tier Storage Shelf
- Bed Frame Side Rails and Footboard
- 2 Storage Drawers (each with four wheels)
- 12 Wooden Support Slats
- 11 Support Feet
- Heavy-duty Metal Frame Components
- Assembly Hardware (screws, bolts, Allen wrench, etc.)
- Instruction Manual

All components are shipped in a single package for convenience.

4. SETUP AND ASSEMBLY

Assembly typically takes approximately 60 minutes with two people. Follow the clear instructions provided in the separate assembly guide included with your package. Ensure you have adequate space and all tools before starting.

4.1 Key Assembly Features

- **Sturdy Construction:** The bed frame incorporates a heavy-duty metal structure, 12 wooden support slats, and 11 support feet for enhanced stability and durability.
- **Noise-Free Design:** Equipped with extra silent strips and a mute strip design, the bed frame minimizes noise and creaking, ensuring a quiet sleeping environment.
- **No Box Spring Needed:** The robust slat system provides ample support for your mattress, eliminating the need for a box spring.

CONSIDERATED DETAILS DESIGN



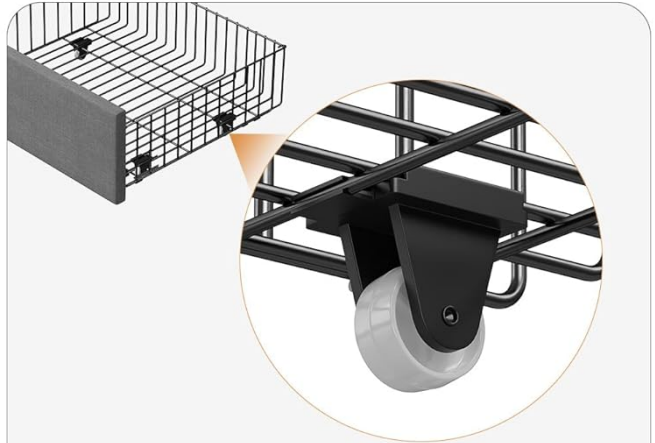
Heavy Duty Metal Frame



12 Sturdy Wooden Slats



NO Noise & Easy Assembly



8 Rollers for Storage Drawers

Image 4.1: Close-up details of the bed frame's construction, highlighting the heavy-duty metal frame, sturdy wooden slats, noise-reducing strips, and the rollers for the storage drawers.



Image 4.2: Illustration of the noise-free design, showing the mute strip integrated into the frame to prevent creaking and enhance sleep quality.

5. OPERATING INSTRUCTIONS

5.1 Using the Storage Headboard

The 2-tier storage headboard provides convenient space for various items. Use the shelves to store books, a phone, an alarm clock, or decorative items. The design allows for easy access to your essentials while in bed.



Image 5.1: A detailed view of the 2-tier storage headboard, demonstrating its capacity for holding personal items and decor.

5.2 Utilizing the Storage Drawers

The bed frame includes two large storage drawers, each equipped with four wheels for smooth operation. These drawers are ideal for storing clothing, bedding, or other personal belongings, helping to keep your bedroom tidy.

- To open, gently pull the drawer outwards from the bed frame.
- To close, push the drawer back into place until it is flush with the bed frame.
- Each drawer has a capacity of approximately 20 gallons.



Image 5.2: The two large storage drawers are shown pulled out from beneath the bed, illustrating their ample capacity for storing various items.

6. MAINTENANCE

Regular maintenance will help prolong the life and appearance of your bed frame:

- **Cleaning:** For the upholstered parts, gently vacuum with an upholstery attachment or wipe with a damp cloth and mild soap. For the metal and wooden parts, wipe with a clean, dry cloth. Avoid harsh chemicals.
- **Check Connections:** Periodically inspect all bolts and screws to ensure they remain tight. Re-tighten if necessary to maintain stability and prevent noise.
- **Drawer Care:** Keep the drawer wheels free of dust and debris to ensure smooth operation.

7. TROUBLESHOOTING

If you encounter any issues with your bed frame, refer to the following common solutions:

Problem	Possible Cause	Solution
Bed frame is noisy or creaks	Loose connections; improper assembly; friction between components.	Ensure all bolts and screws are securely tightened. Verify that all parts are assembled correctly according to the manual. The bed frame is designed with silent strips to prevent creaking; ensure these are properly in place.
Drawers do not slide smoothly	Debris in wheel mechanism; misaligned drawer.	Check wheels for any obstructions and clean if necessary. Ensure drawers are properly aligned within their tracks.
Bed frame feels unstable	Loose connections; uneven floor.	Re-tighten all assembly hardware. If the floor is uneven, consider using furniture pads or shims under the support feet.

7.1 Frequently Asked Questions

- **Q: What is the height of the bed from the floor?**

A: Approximately 12 inches.

- **Q: How thick can the mattress be?**

A: It accommodates a mattress with a maximum height of 11.3 inches.

- **Q: Is the bed frame stable?**

A: Yes, it features 12 support slats and 11 support feet for enhanced stability.

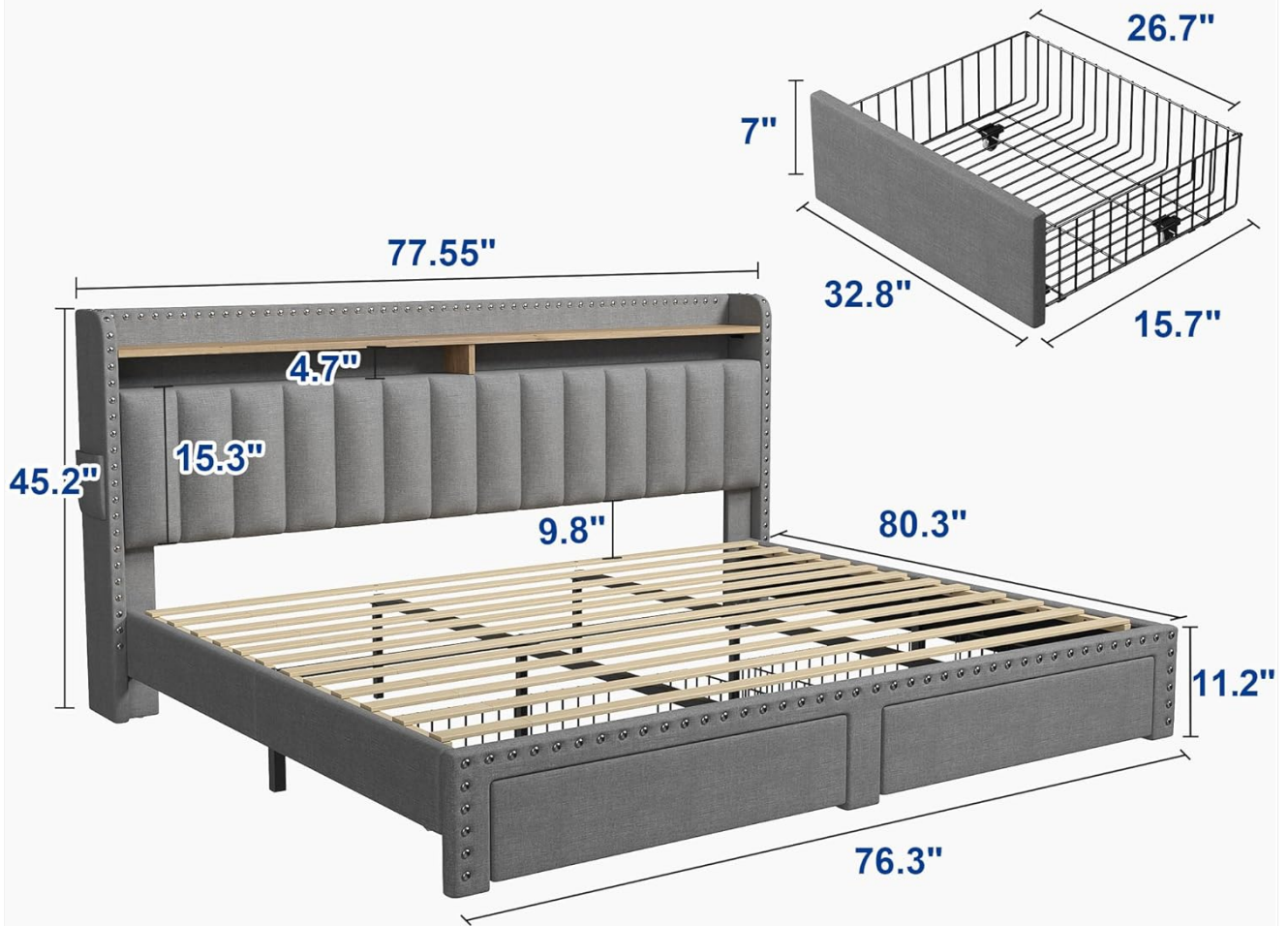
- **Q: Will it creak if I move around on it?**

A: The metal frame incorporates a silent strip design and uses a pasting method to fasten supporting wooden strips, effectively preventing creaking.

8. SPECIFICATIONS

Feature	Detail
Size	King
Product Dimensions (L x W x H)	80.3" x 76.3" x 45.2"
Color	Grey
Finish Type	Painted
Included Components	Headboard, 2 Storage Drawers, 12 Support Slats, 11 Feet
Compatible Mattress Size	King
Weight Capacity	900 lbs
Item Weight	109.1 pounds
Assembly Required	Yes

King Size



large size

W:77.55" L:80.3" H:45.2"

load bearing

900LBS



No Noise

Image 8.1: Detailed dimensions of the EnHomee King Size Bed Frame, illustrating overall size and specific measurements for the headboard and storage drawers.

9. WARRANTY AND SUPPORT

EnHomee is committed to providing high-quality products. While specific warranty details may vary, please retain your proof of purchase for any potential claims.

For product support, missing parts, or any questions not covered in this manual, please contact EnHomee customer service through the retailer where you purchased the product or visit the official EnHomee store page for contact information. You can find additional information and support at the [EnHomee Store on Amazon](#).