

[Manuals.plus](#) /

› [Aquonderful](#) /

› Aquonderful Elongated Smart Bidet Toilet Seat User Manual

Aquonderful 208

Aquonderful Elongated Smart Bidet Toilet Seat User Manual

Model: 208

INTRODUCTION

This manual provides comprehensive instructions for the installation, operation, and maintenance of your Aquonderful Elongated Smart Bidet Toilet Seat, Model 208. Designed for comfort and hygiene, this smart bidet seat offers a range of features including warm water washing, a warm air dryer, a heated seat, and a night light. Please read this manual thoroughly before installation and use to ensure proper function and safety.



Image: Top-down view of the Aquonderful Elongated Smart Bidet Toilet Seat with its control panel.

KEY FEATURES

- **Adjustable Washes:** Choose from rear wash, front wash, and vortex wash settings for personalized cleansing. Features include oscillating wash and self-cleaning nozzle.
- **Unlimited Warm Water:** Enjoy continuous warm water for washing. Water pressure and nozzle position are adjustable via the control panel.
- **Warm Air Dryer:** Integrated warm air dryer with adjustable temperature settings (High, Middle, Low) for a complete and comfortable experience.

- **Heated Seat:** The toilet seat provides adjustable warmth for comfort, especially in colder environments.
- **LED Night Light:** A gentle LED night light illuminates the bowl, providing visibility during nighttime use without needing to turn on bright bathroom lights.
- **Slow-Closing Lid:** The seat and lid feature a slow-closing mechanism to prevent slamming and reduce noise.
- **Stainless Steel Nozzle:** Durable and hygienic stainless steel spray rod.
- **Eco-Friendly Mode:** Energy-saving mode helps conserve electricity and reduce toilet paper consumption.
- **Easy Installation:** Designed for straightforward DIY installation without the need for a professional plumber.

ADJUSTABLE WASHES



Image: Illustrations showing rear wash, front wash, oscillating cleaning, and self-cleaning functions of the bidet nozzle.

ADJUSTABLE WARM AIR



Image: Close-up of the warm air dryer vent with settings for High, Middle, and Low air temperature.

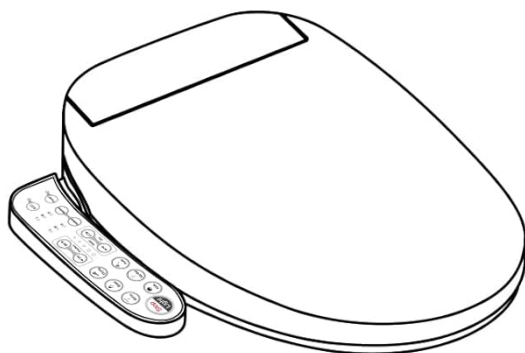


Image: Visual representation of key features including slow closing seat, heated seat, warm air dryer, night light, and stainless steel nozzle.

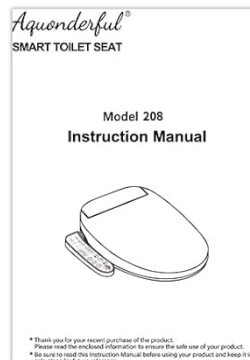
PRODUCT COMPONENTS (WHAT'S IN THE BOX)

Upon opening the package, please verify that all components listed below are present and undamaged. If any items are missing or damaged, please contact customer support.

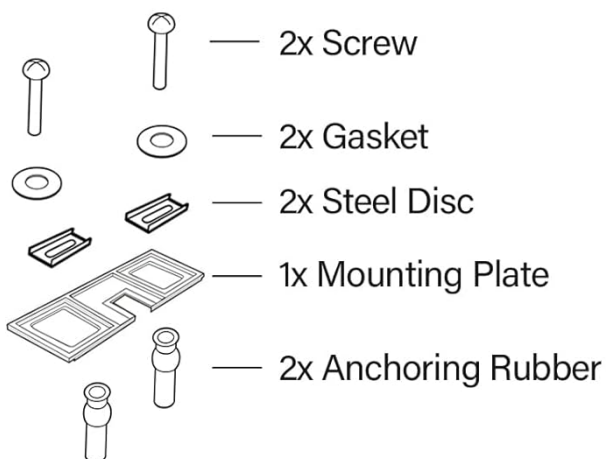
WHAT'S IN THE BOX



1x Smart Bidet Seat



1x Instruction Manual



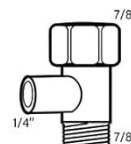
— 2x Screw

— 2x Gasket

— 2x Steel Disc

— 1x Mounting Plate

— 2x Anchoring Rubber



1x Three-way valve



1x PE Pipe

Image: Diagram showing all included components: Smart Bidet Seat, Instruction Manual, 2x Screw, 2x Gasket, 2x Steel Disc, 1x Mounting Plate, 2x Anchoring Rubber, 1x Three-way valve, 1x PE Pipe.

1x Smart Bidet Seat

1x Instruction Manual

2x Screws

2x Gaskets

2x Steel Discs

1x Mounting Plate

2x Anchoring Rubber

1x Three-way valve (7/8" x 7/8" x 1/4")

1x PE Pipe (1/4")

The Aquonderful Smart Bidet Toilet Seat is designed for easy DIY installation. Please ensure you have a standard elongated toilet bowl and a nearby electrical outlet (120V AC) before beginning. Refer to the detailed [Installation Manual \(PDF\)](#) for complete step-by-step instructions.

Toilet Fit Check

Before installation, confirm your toilet bowl shape and dimensions are compatible with the elongated bidet seat. An electrical outlet is required for operation.

TOILET FIT CHECK GUIDE

Product fit may differ from the picture as shape and size of the tank and the bowl may differ

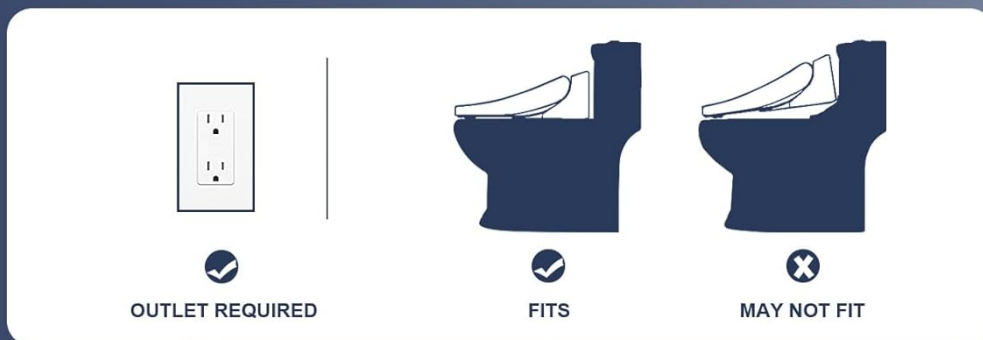
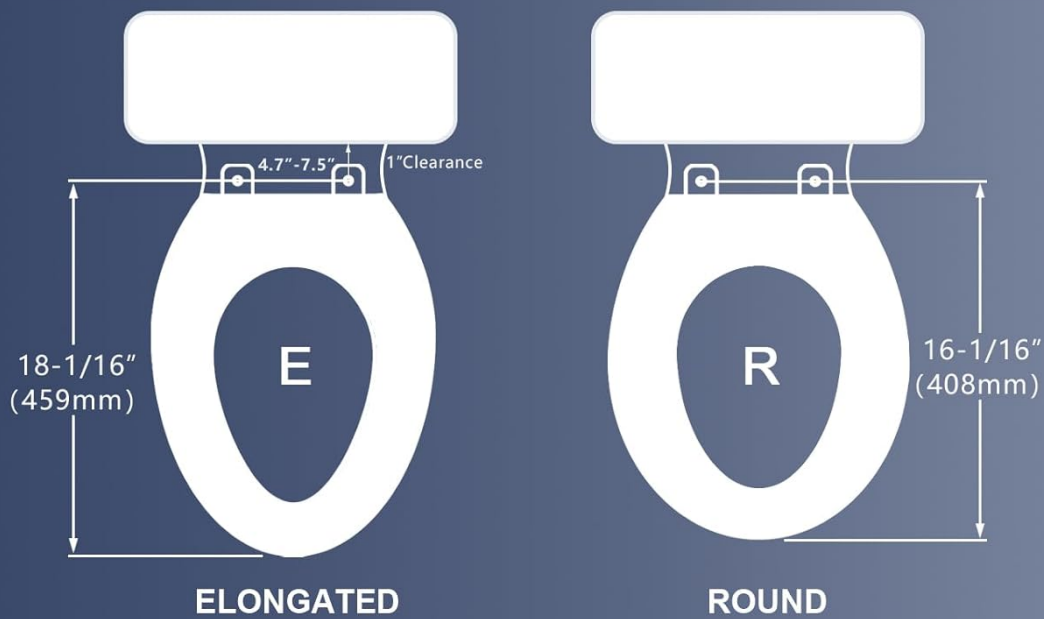


Image: Diagram illustrating the dimensions for elongated (E) and round (R) toilet bowls, indicating that this bidet seat is for elongated bowls. Also shows the requirement for an electrical outlet.

Elongated Toilet Dimensions: Approximately 18-1/16" (459mm) from mounting holes to front edge.

Mounting Hole Spacing: 4.7" - 7.5" (120mm - 191mm).

Clearance: Minimum 1" (25mm) clearance from tank to mounting holes.

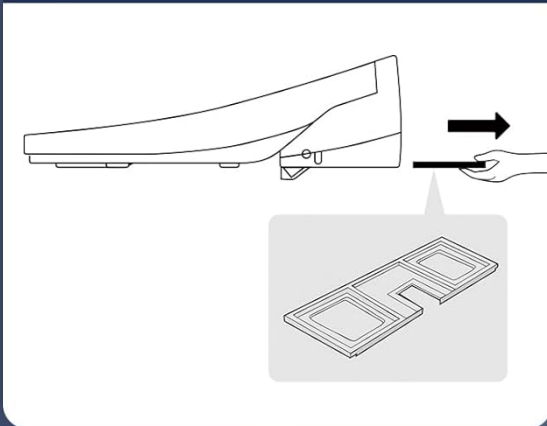
Power Requirement: A standard 120V AC electrical outlet is required within reach of the bidet seat's power cord.

Installation Steps Overview

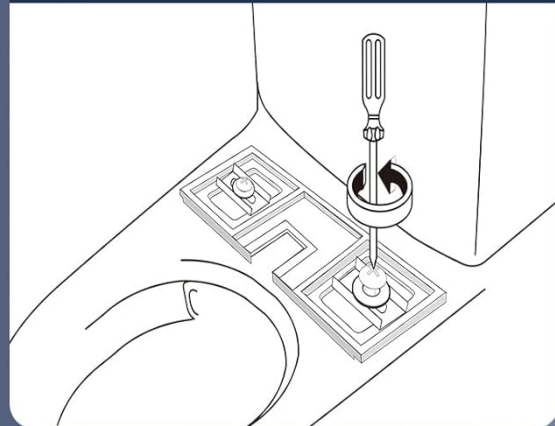
The general installation process involves four main steps:

EASY DIY INSTALLATION

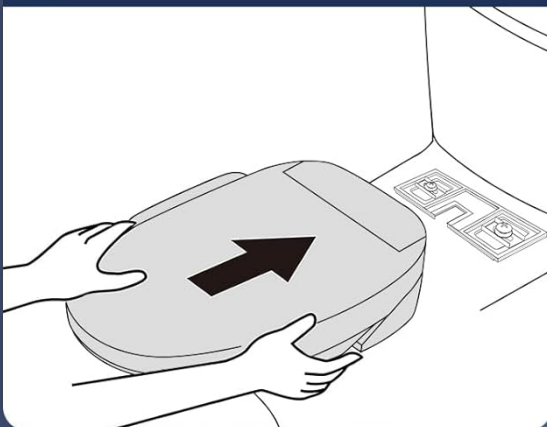
1 Remove Fixing Plate



2 Assembly Accessories



3 Install Toilet Bidet



4 Connect Hoses

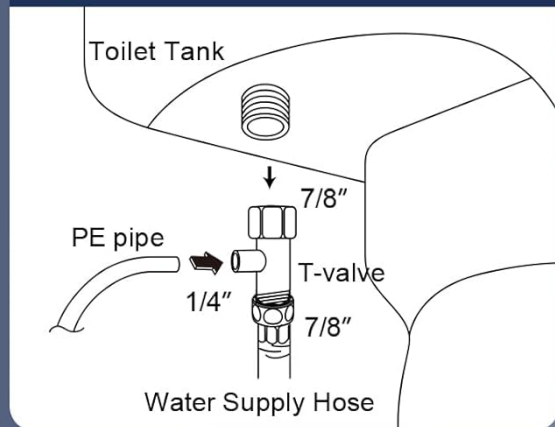


Image: Four-step diagram showing the installation process: 1. Remove Fixing Plate, 2. Assembly Accessories, 3. Install Toilet Bidet, 4. Connect Hoses.

- 1. Remove Fixing Plate:** Detach the mounting plate from the bidet seat.
- 2. Assemble Accessories:** Secure the mounting plate to your toilet bowl using the provided screws, gaskets, steel discs, and anchoring rubber.
- 3. Install Toilet Bidet:** Slide the bidet seat onto the secured mounting plate until it clicks into place.
- 4. Connect Hoses:** Connect the three-way valve to your toilet's water supply line and the PE pipe from the bidet to the three-way valve. Ensure all connections are tight to prevent leaks.

OPERATING INSTRUCTIONS

Your Aquonderful Smart Bidet Toilet Seat is operated via an intuitive side-mounted control panel. Familiarize yourself with the buttons and their functions for optimal use.

KEY FUNCTIONS

Features

-  Stops All Functions & Night Light
-  Drying
-  Kids
-  Front Wash
-  Rear Wash
-  Strong Pressure
-  Pulsation
-  Adjustable Water Temp
-  Adjustable Heated Seat
-  Start Power On/Off
-  Power Saving Mode
-  Adjustable Nozzle Position
-  Adjustable Water Pressure & Adjustable Air Dryer Temp



Image: Detailed diagram of the bidet's control panel, labeling buttons for Stop, Light, Kids, Rear Wash, Pulsation, Front Wash, Strong Pressure, Water Temp, Seat Temp, Power, ECO, Nozzle Position (FR/BK), Water Pressure (HI/LO), and Air Dryer Temp (HI/LO).

Control Panel Functions:

Button/Function	Description
Stop / Light	Stops all active functions. Press and hold to toggle the night light.
Kids	Activates a gentle wash cycle suitable for children.
Rear Wash	Initiates the rear cleansing wash.
Front Wash	Initiates the feminine cleansing wash.
Pulsation	Provides a pulsating water spray for enhanced cleaning.
Strong Pressure	Increases water pressure for a more powerful wash.
Water Temp	Adjusts the water temperature (Cold, Warm, Hot).

Button/Function	Description
Seat Temp	Adjusts the heated seat temperature.
Power	Turns the unit on or off.
ECO (Power Saving Mode)	Activates energy-saving mode to reduce power consumption.
FR / BK (Nozzle Position)	Adjusts the nozzle position forward (FR) or backward (BK).
Water (HI / LO)	Adjusts water pressure higher (HI) or lower (LO).
Drying (HI / LO)	Adjusts warm air dryer temperature higher (HI) or lower (LO).

For detailed operational procedures and advanced settings, please consult the [Instructions for Use \(IFU\) \(PDF\)](#).

MAINTENANCE

Regular maintenance ensures the longevity and hygienic operation of your bidet seat. Always unplug the unit before cleaning or performing any maintenance.

- **Exterior Cleaning:** Wipe the exterior surfaces with a soft, damp cloth and a mild, non-abrasive cleaner. Avoid harsh chemicals or abrasive pads that could damage the finish.
- **Nozzle Cleaning:** The stainless steel nozzle has a self-cleaning function. For manual cleaning, gently pull out the nozzle and wipe it with a soft cloth. Do not use excessive force.
- **Filter Cleaning (if applicable):** Periodically check and clean the water inlet filter to prevent blockages and maintain water flow. Refer to the full instruction manual for specific filter cleaning steps.
- **Long-Term Storage:** If the bidet seat will not be used for an extended period, drain any remaining water from the unit and store it in a dry, temperate environment.

TROUBLESHOOTING

If you encounter any issues with your Aquonderful Smart Bidet Toilet Seat, please refer to the following common troubleshooting tips before contacting customer support.

Problem	Possible Cause	Solution
No power / Unit not turning on	Power cord not plugged in; circuit breaker tripped; power outlet malfunction.	Ensure power cord is securely plugged into a working outlet. Check your home's circuit breaker. Test the outlet with another appliance.
No water spray / Weak water pressure	Water supply valve closed; water inlet filter clogged; low household water pressure.	Ensure the water supply valve to the toilet is fully open. Clean the water inlet filter. Check household water pressure.

Problem	Possible Cause	Solution
Water not warm	Heater function not activated; ECO mode active; heater malfunction.	Ensure the water temperature setting is adjusted to warm. Deactivate ECO mode if warm water is desired immediately. Allow time for water to heat.
Seat not heated	Heated seat function not activated; ECO mode active.	Adjust the seat temperature setting. Deactivate ECO mode.
Leaks from connections	Loose connections; damaged washers.	Tighten all water connections (do not overtighten). Check for properly seated washers and replace if damaged.

For more complex issues or if troubleshooting steps do not resolve the problem, please contact Aquonderful customer support.

SPECIFICATIONS

Attribute	Detail
Brand	Aquonderful
Model Number	208
Shape	Elongated
Color	White
Material	Acrylonitrile Butadiene Styrene (ABS)
Product Dimensions	20"L x 18"W
Item Weight	11 Pounds
Operation Mode	Automatic
Power Source	Electric (120V AC, standard outlet required)

WARRANTY AND SUPPORT

For warranty information, technical support, or any inquiries regarding your Aquonderful Smart Bidet Toilet Seat, please refer to the contact details provided in the included Instruction Manual or visit the official Aquonderful website. Keep your purchase receipt as proof of purchase for warranty claims.

You can also visit the [Aquonderful Store on Amazon](#) for additional product information and support resources.

