



[Manuals.plus](#) /

› [Giantex](#) /

› Giantex Computer Desk with Hutch, Home Office Desk with Storage Cabinet & Adjustable Shelf, 2 Cable Holes, Modern Laptop PC Desk Computer Workstation for Working, Study Writing Desk for Bedroom, Gray User Manual

Giantex GT10684GR-BC

Giantex Computer Desk with Hutch User Manual

Model: GT10684GR-BC | Brand: Giantex

INTRODUCTION

This user manual provides essential information for the assembly, operation, and maintenance of your new Giantex Computer Desk with Hutch. Please read through this manual carefully before beginning assembly or use to ensure safe and proper functionality of your product.



Image: The Giantex Computer Desk with Hutch, showcasing its overall design and integrated hutch, suitable for various home office setups.

SAFETY INFORMATION

Your safety is paramount. Please adhere to the following safety guidelines:

- Always ensure the desk is properly assembled and anchored to the wall using the provided anti-tipping kits to prevent tipping hazards.
- Do not overload the desk; the maximum weight capacity is 210 lbs.
- Keep small parts away from children during assembly to prevent choking hazards.
- Use the desk on a flat, stable surface.

Sturdy Computer Desk with Hutch

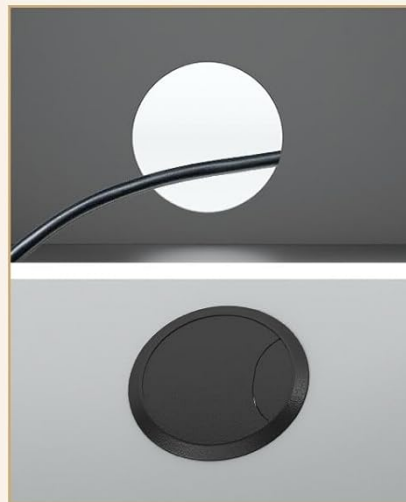
Anti-tipping device



Thoughtful Details



Magnetic Door Catch



2 Cable Holes



Non-slip Foot Pads

Image: Visual representation of the anti-tipping device installation, along with close-ups of the magnetic door catch, two cable holes, and non-slip foot pads, highlighting the desk's thoughtful design for stability and convenience.

PRODUCT FEATURES

- **Ample Storage Space:** Features a tabletop hutch and storage cabinet for organized essentials.

- **Multifunctional Adjustable Shelf:** A 3-position adjustable shelf offers versatile organization and can be removed to accommodate a computer tower.
- **Sturdy Construction:** Crafted from high-quality MDF with 2 anti-tipping kits for enhanced stability and safety.
- **Handy Cable Management:** Integrated system with tabletop grommet and cable hole for tidy device plug-in.
- **Sleek Design & Versatile Use:** Modern design suitable for home or office, also functions as a craft table or vanity.



Image: A detailed view of the desk emphasizing its storage capabilities, including the tabletop shelf, spacious main desktop, and the integrated storage cabinet.

3-Position Adjustable Shelf

Customized Storage Space for Versatile Purposes



Image: A close-up demonstrating the adjustable shelf's three positions, illustrating its flexibility for various items or for creating space for a computer tower.

SETUP AND ASSEMBLY

The Giantex Computer Desk with Hutch requires assembly. Please refer to the included instruction manual for detailed, step-by-step assembly instructions, including a list of all parts and hardware. It is recommended that two people assemble this desk for ease and safety.

Ensure all components are present and undamaged before beginning assembly. Follow the numerical sequence provided in the separate assembly guide for optimal results.

OPERATING INSTRUCTIONS

This desk is designed for versatile use in various settings, including home offices, bedrooms, and study rooms. Its spacious desktop and integrated storage solutions allow for efficient organization of your workspace.

- **Workspace Utilization:** Place your computer, laptop, or other work essentials on the main desktop.

- **Hutch Storage:** Utilize the hutch shelf for displaying books, decorative items, or frequently accessed supplies.
- **Cabinet & Lower Shelf:** Store larger items, documents, or a computer tower in the side cabinet or on the adjustable lower shelves.
- **Cable Management:** Route power cords and cables through the integrated grommet and cable hole to maintain a tidy and safe workspace.



Image: The desk creatively set up as a vanity table, demonstrating its adaptability beyond a traditional computer workstation, complete with a mirror and various personal items.

MAINTENANCE AND CARE

- **Cleaning:** Wipe surfaces with a soft, damp cloth. Avoid harsh chemicals or abrasive cleaners that may damage the finish.
- **Spills:** Clean up spills immediately to prevent staining or damage to the engineered wood material.
- **Heat and Moisture:** Avoid placing hot items directly on the surface. Use coasters or protective pads for drinks. Keep the desk away from excessive moisture or direct sunlight.

- **Hardware Check:** Periodically check and tighten all screws and fasteners to ensure the desk remains stable and secure.

TROUBLESHOOTING

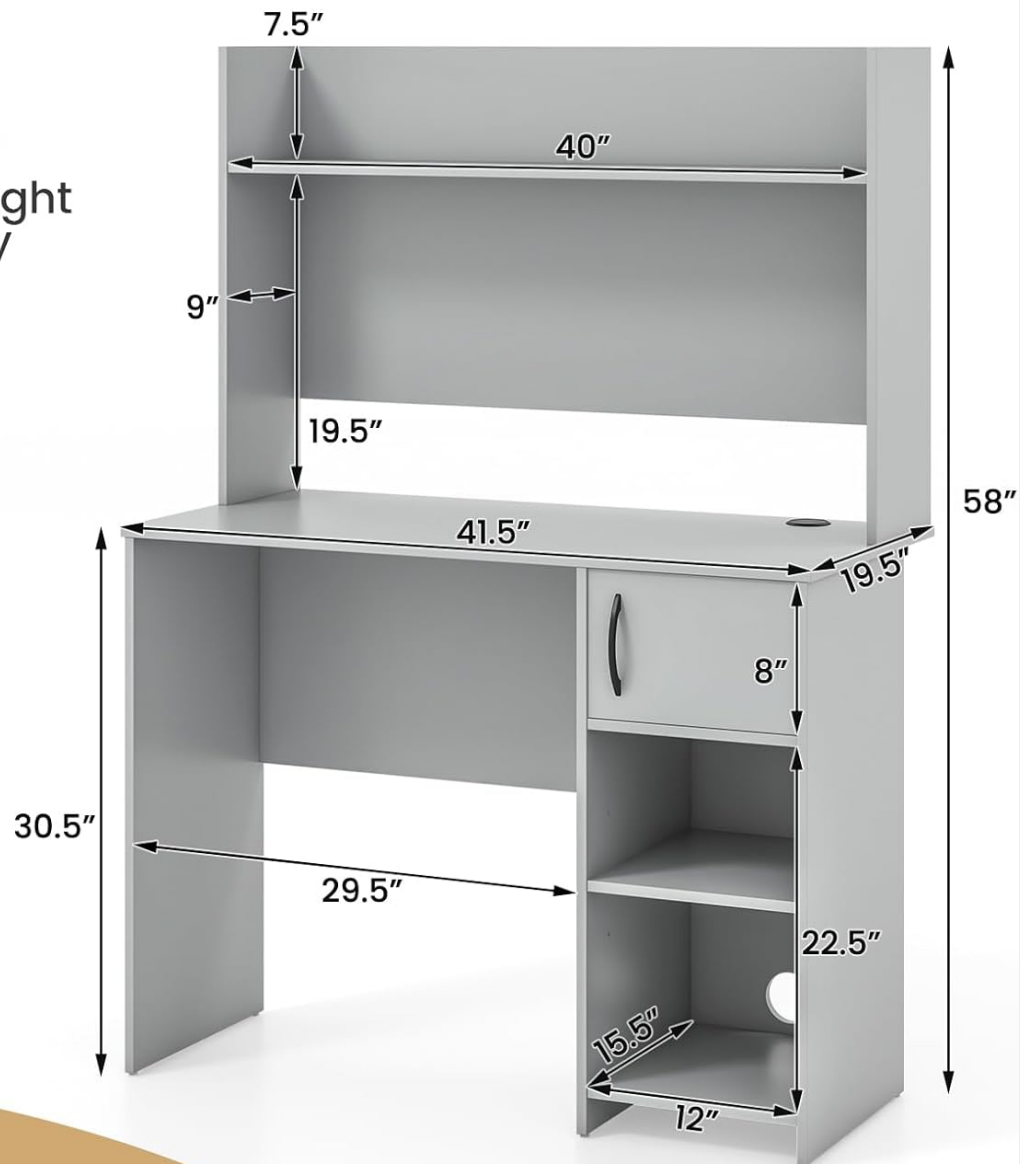
Problem	Possible Cause	Solution
Desk wobbles or is unstable.	Loose fasteners or uneven floor.	Tighten all assembly screws. Ensure the desk is on a level surface; use shims if necessary. Verify anti-tipping kits are properly installed.
Cabinet door does not close properly.	Misaligned hinges or obstruction.	Check hinge alignment and adjust if needed. Remove any obstructions.
Difficulty adjusting shelf height.	Shelf pins not fully inserted or misaligned.	Ensure shelf pins are fully inserted into corresponding holes on both sides.

SPECIFICATIONS

Attribute	Detail
Brand	Giantex
Model Number	GT10684GR-BC
Overall Dimensions (L x W x H)	41.5" x 19.5" x 58"
Cabinet Dimensions (L x W x H)	15.5" x 12" x 8"
Top Shelf Dimensions (L x W x H)	40" x 9" x 7.5"
Desktop Dimensions (L x W)	41.5" x 19.5"
Lower Shelf Dimensions (L x W x H)	15.5" x 12" x 22.5"
Length of Legroom	29.5"
Net Weight	70.5 lbs
Overall Weight Capacity	210 lbs
Material	MDF (Engineered Wood)
Color	Gray
Assembly Required	Yes
Recommended Number of People for Assembly	2



Overall Weight Capacity



Dimensions

Image: A comprehensive diagram illustrating all key dimensions of the desk, including the hutch, desktop, and storage compartments, along with the overall weight capacity.

WARRANTY AND SUPPORT

For warranty information or product support, please contact Giantex customer service. Refer to the contact details provided in your product packaging or visit the official Giantex website for assistance.

You can also visit the [Giantex Store on Amazon](#) for more information and products.