



[Manuals.plus](#) /

> [JOOM](#) /

> JOOM JU011-12 Contactless Kitchen Faucet with Pull-Down Sprayer and Waterfall Function User Manual

JOOM JU011-12

JOOM JU011-12 Contactless Kitchen Faucet User Manual

Model: JU011-12

1. INTRODUCTION

Thank you for choosing the JOOM JU011-12 Contactless Kitchen Faucet. This manual provides essential information for the safe installation, operation, and maintenance of your new kitchen faucet. Please read these instructions thoroughly before installation and keep them for future reference.



Image: The JOOM JU011-12 Contactless Kitchen Faucet, showcasing its modern design and brushed stainless steel finish.

2. PRODUCT FEATURES

- **Contactless Operation:** Equipped with intelligent chips and a responsive sensor for hands-free water activation.
- **3-in-1 Multi-mode Sprayer:** Features Stream, Broom, and Rain spray modes for versatile cleaning tasks.

- **Pull-Down Sprayer:** Includes a 24-inch braided hose with 360° rotation for extended reach and flexibility.
- **Auto-Retraction Technology:** Ensures the sprayer hose smoothly retracts back into place after use.
- **Waterfall Function:** Provides a unique cascade water flow option.
- **Durable Construction:** Made from high-quality stainless steel with a brushed finish.
- **Single Handle Control:** Allows for easy adjustment of water temperature and flow.



Image: The faucet's sprayer head demonstrating the three distinct water modes: Stream, Broom, and Rain.



Image: The pull-down sprayer extended from the faucet, highlighting the 24-inch braided hose and 360-degree swivel capability, along with the auto-retraction weight.



Image: A close-up view of the faucet's intelligent chip sensor, indicating fast response for contactless operation.

GET CLOSE TO THE SENSOR AND IT WILL
AUTOMATICALLY SENSE THE WATER COMING OUT



Image: A hand activating the contactless sensor on the faucet, showing water flowing in response to the gesture.

3. SPECIFICATIONS

Brand	JOOM
Model Number	JU011-12
Recommended Use	Kitchen
Mounting Type	Deck Mount
Finish Type	Brushed
Material	Stainless Steel
Number of Handles	1
Special Features	Pull-down Sprayer, Contactless Sensor, Waterfall Function
Mounting Hole Diameter	3.2-3.5 cm (1-3/10" ~ 1-3/8")
Max Countertop Thickness	5 cm (2")
Hose Sizes Supported	M 10x1, G3/8

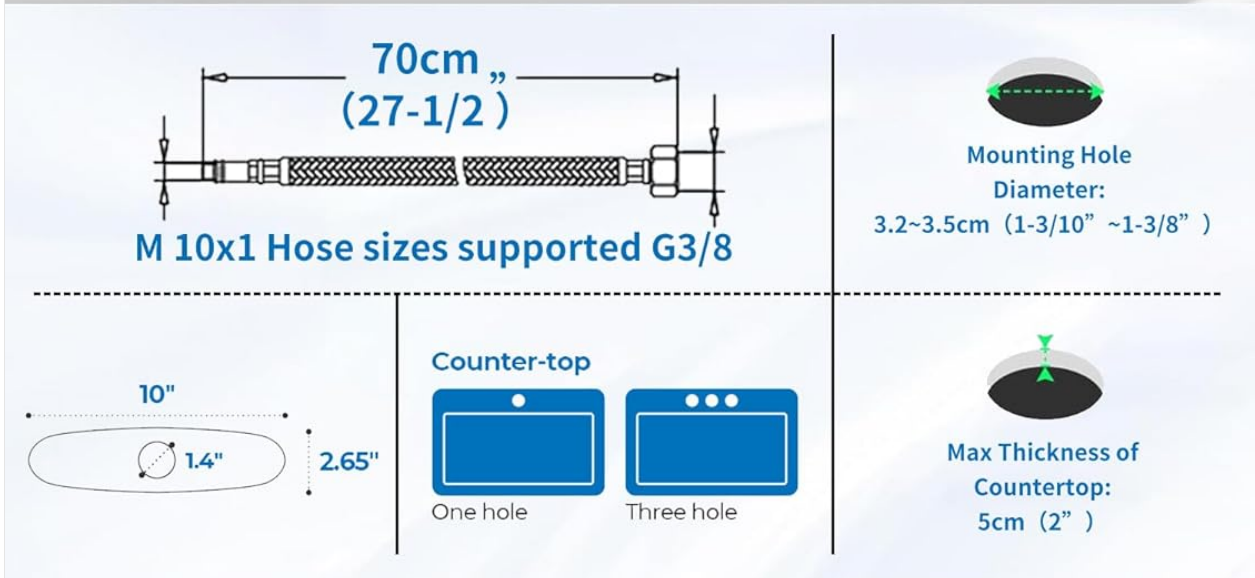


Image: Detailed diagram showing the faucet's dimensions in centimeters and inches, along with mounting hole diameter and maximum countertop thickness requirements.

4. SAFETY INFORMATION

- Always turn off the main water supply before beginning any installation or maintenance.
- Wear appropriate personal protective equipment, such as safety glasses and gloves, during installation.
- Ensure all connections are secure to prevent leaks. Do not overtighten.

- If you are unsure about any part of the installation process, consult a qualified plumber.
- Keep small parts away from children to prevent choking hazards.

5. INSTALLATION GUIDE

Follow these steps for proper installation of your JOOM kitchen faucet:



Image: A four-panel diagram illustrating the initial installation steps: 1) Installing the nut kit from below, 2) Tightening the nut kit with a screwdriver, 3) Connecting hot and cold water pipes to the valve, and 4) Installing the hose load-bearing ball.

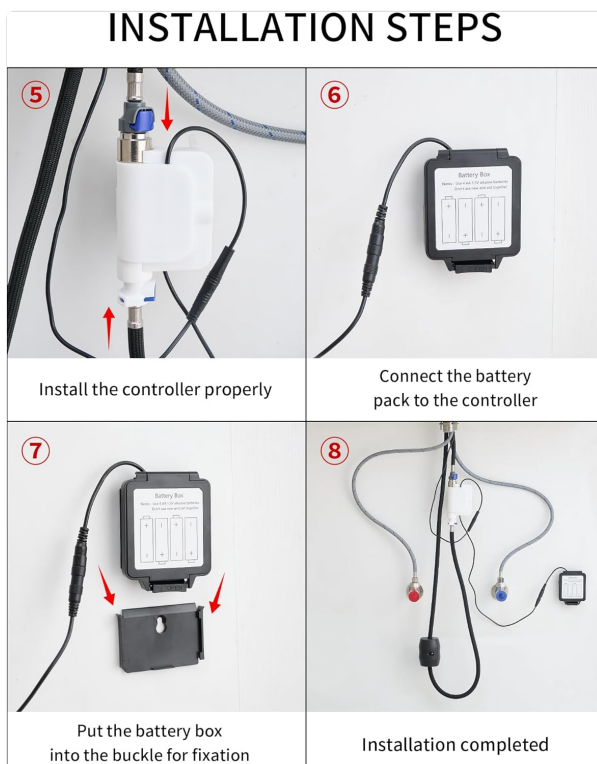


Image: A four-panel diagram illustrating the final installation steps: 5) Installing the controller, 6) Connecting the battery pack to the controller, 7) Securing the battery box into its buckle, and 8) A view of the completed installation under the sink.

1. **Prepare the Mounting Hole:** Ensure your countertop has a suitable mounting hole (3.2-3.5 cm diameter) and is not thicker than 5 cm.
2. **Install the Faucet:** Insert the faucet body into the mounting hole.
3. **Secure the Faucet (Step 1 & 2):** From underneath the sink, install the nut kit onto the faucet shank and tighten it securely using a screwdriver until the faucet is stable.
4. **Connect Water Lines (Step 3):** Connect the hot and cold water supply lines to the corresponding inlets on the faucet's valve. Ensure a tight, leak-free connection.
5. **Install Hose Load-Bearing Ball (Step 4):** Attach the load-bearing ball to the pull-down hose underneath the sink. This provides the necessary weight for hose retraction.
6. **Install the Controller (Step 5):** Mount the electronic controller unit in an accessible location under the sink.
7. **Connect Battery Pack (Step 6 & 7):** Connect the battery pack to the controller. Insert the battery box into its designated buckle for fixation. Ensure batteries are correctly inserted (typically 4 AA batteries, not included).
8. **Test for Leaks:** Turn on the main water supply and check all connections for any leaks.

6. OPERATION

- **Manual Handle Operation:** Use the single handle to control water flow and temperature. Lift the handle to turn on/off water and move it left/right for hot/cold water.
- **Contactless Sensor Operation:** Wave your hand near the sensor located on the faucet body to activate or deactivate water flow. The intelligent chip ensures a fast response.
- **Changing Sprayer Modes:** Press the button on the sprayer head to cycle through the Stream, Broom, and Rain modes.
- **Using the Pull-Down Sprayer:** Gently pull the sprayer head from the spout for extended reach. The 24-inch braided hose and 360° rotation allow for flexible use. When finished, the auto-retraction technology will pull the hose back into place.
- **Waterfall Function:** The faucet also features a waterfall mode, providing a broad, gentle flow of water.



Image: A person using the pull-down sprayer to rinse fruits in a colander, demonstrating the practical application of the sprayer function.

7. MAINTENANCE AND CARE

- **Cleaning:** Clean the faucet regularly with a soft cloth and mild soap. Avoid abrasive cleaners, harsh chemicals, or scouring pads, as these can damage the brushed stainless steel finish.
- **Sensor Maintenance:** Keep the sensor area clean and free from obstructions to ensure proper contactless operation.

- **Aerator Cleaning:** Periodically unscrew and clean the aerator (if applicable) to remove mineral deposits and maintain optimal water flow.
- **Hose Inspection:** Regularly check the pull-down hose for any signs of wear or damage.
- **Battery Replacement:** If the contactless function becomes unresponsive or intermittent, replace the batteries in the battery pack.

8. TROUBLESHOOTING

Problem	Possible Cause	Solution
Low water flow	Partially closed water supply valves, clogged aerator, debris in water lines.	Ensure hot and cold water supply valves are fully open. Clean or replace the aerator. Flush water lines.
Contactless sensor not working	Dead batteries, obstructed sensor, sensor malfunction.	Replace batteries in the battery pack. Clean the sensor area. If problem persists, contact customer support.
Leaks from connections	Loose connections, damaged O-rings/washers.	Tighten connections carefully. Inspect and replace any damaged O-rings or washers.
Sprayer hose does not retract fully	Obstruction under the sink, incorrect weight placement.	Clear any obstructions around the hose under the sink. Ensure the load-bearing ball is correctly positioned.

9. WARRANTY AND SUPPORT

This JOOM product is covered by a standard manufacturer's warranty. For specific warranty details, please refer to the documentation included with your purchase or contact JOOM customer service.

For technical support, replacement parts, or any questions regarding your JOOM JU011-12 faucet, please contact our customer support team through the retailer where you purchased the product or visit the official JOOM website.