

vidaXL 840695

vidaXL White Dressing Table with Mirror

Model: 840695

1. SAFETY INFORMATION

Please read all instructions carefully before assembly and use. Keep this manual for future reference.

- **Wall-Mounting Device:** To prevent tipping, this product **must** be used with the provided wall-mounting device. Securely attach the dressing table to a solid wall surface according to the instructions.
- **Assembly:** Assembly should be performed by at least two adults. Ensure all parts are present and undamaged before beginning.
- **Weight Limit:** Do not overload the drawers or the top surface. Distribute weight evenly.
- **Children:** Keep small parts and packaging materials away from children during assembly. Do not allow children to climb on or play with the dressing table.
- **Placement:** Place the dressing table on a flat, stable surface. Avoid placing it near heat sources or in direct sunlight to prevent material damage.

2. PRODUCT OVERVIEW

The vidaXL White Dressing Table with Mirror (Model 840695) is a modern and functional piece of furniture designed for daily beauty routines and storage. It features a robust engineered wood construction, a utility mirror, and ample storage space for cosmetics, jewelry, and other essentials.



Image 2.1: Front view of the vidaXL White Dressing Table with Mirror, showcasing its clean lines and functional design. The mirror is shown in the open position, revealing internal compartments.

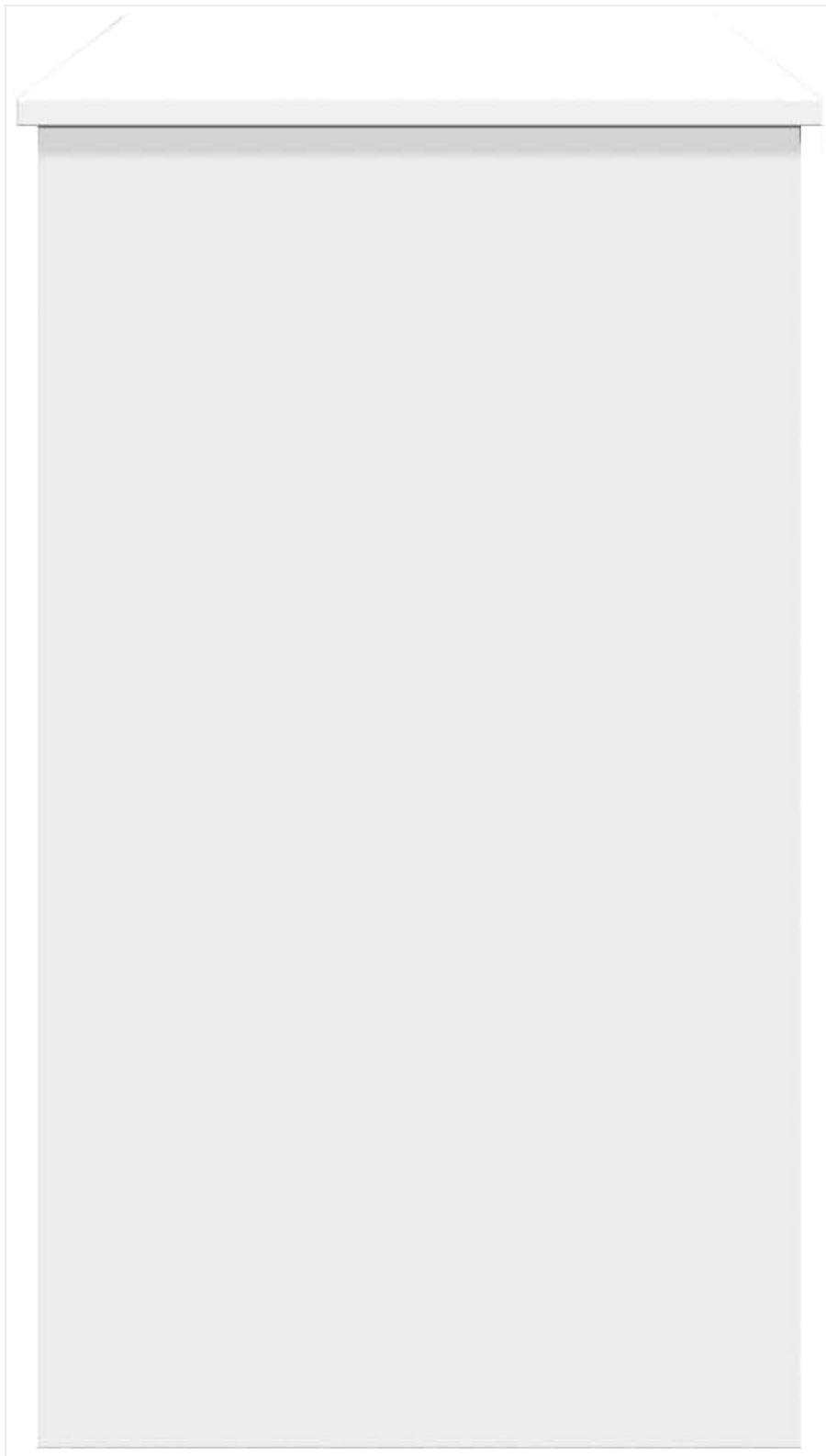


Image 2.2: Front view of the dressing table in its closed configuration, presenting a minimalist and sleek appearance.

3. PACKAGE CONTENTS

Before beginning assembly, ensure all components are present and undamaged. Refer to the included assembly diagram for a complete list of parts and hardware. If any parts are missing or damaged, please contact vidaXL customer support.

4. ASSEMBLY INSTRUCTIONS

Assembly is required for this product. It is recommended that two adults perform the assembly. Follow the step-by-

step instructions provided in the separate assembly manual included in your package. Pay close attention to the orientation of each piece.

1. **Unpack Components:** Carefully unpack all parts and hardware. Lay them out on a clean, soft surface to prevent scratches.
2. **Identify Parts:** Match each component with the corresponding labels in the assembly diagram.
3. **Assemble Frame:** Begin by assembling the main frame of the dressing table. Ensure all connections are secure.
4. **Install Drawers:** Install the drawer slides and then assemble the drawers. Insert the assembled drawers into the unit.
5. **Attach Mirror Section:** Carefully attach the mirror section to the top of the unit. Ensure it is properly aligned and secured.
6. **Wall Mounting:** Once the dressing table is fully assembled, use the provided wall-mounting device to secure it to a suitable wall. This step is crucial for stability and safety.

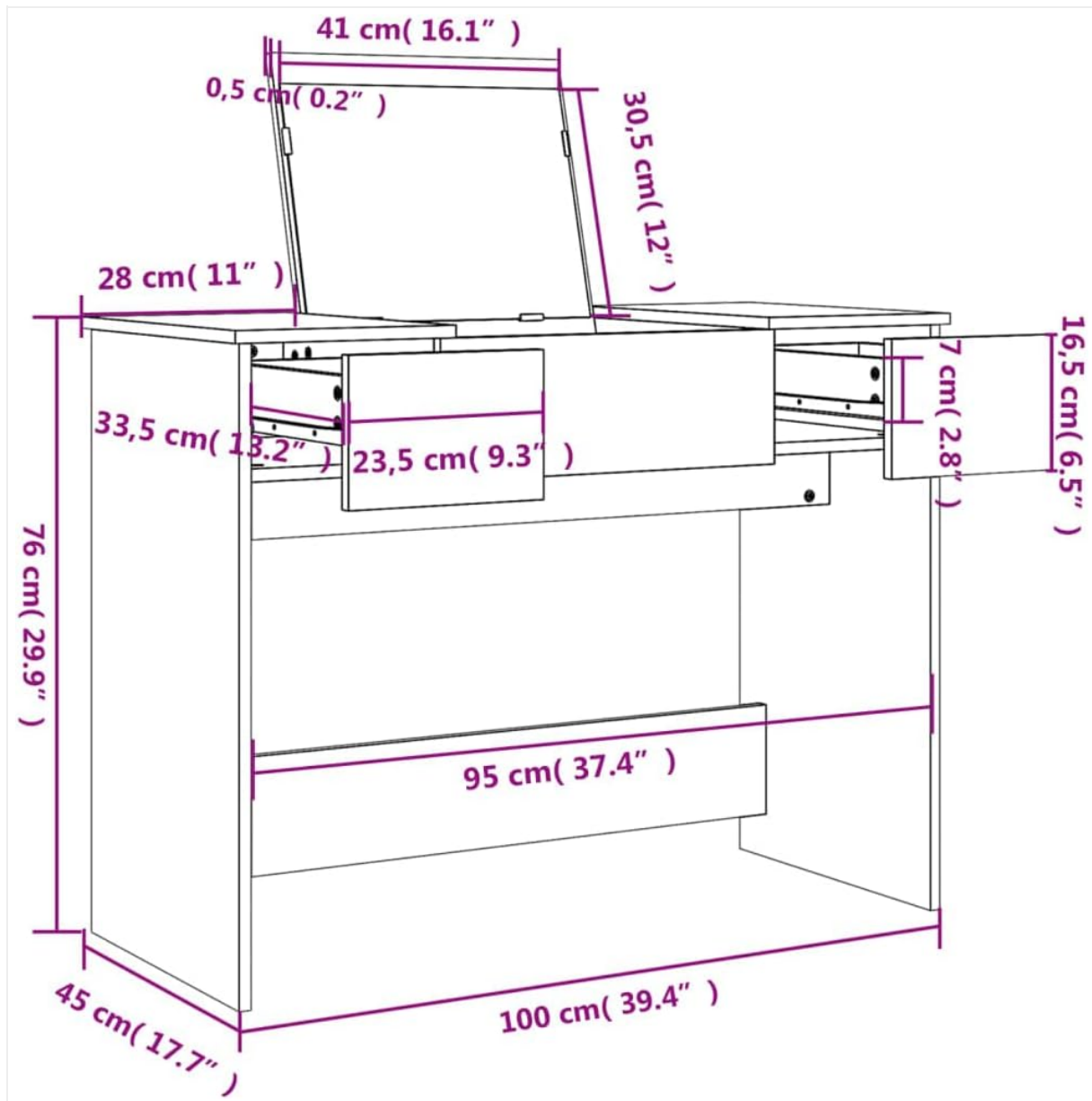


Image 4.1: Dimensional diagram of the dressing table, illustrating overall height, width, depth, and internal measurements for assembly reference.



Image 4.2: Rear view of the dressing table, highlighting the structural elements and potential attachment points for the wall-mounting device.

5. OPERATING INSTRUCTIONS

This dressing table is designed for ease of use and efficient storage.

- **Mirror Functionality:** The central section of the tabletop lifts to reveal a mirror and internal storage compartments. Gently lift the lid to access the mirror and compartments.
- **Storage Compartments:** Utilize the partitioned compartments under the mirror for organizing smaller items like jewelry, makeup brushes, or accessories.
- **Drawers:** The two side drawers provide additional enclosed storage for larger items or personal belongings. Pull them gently to open and push to close.

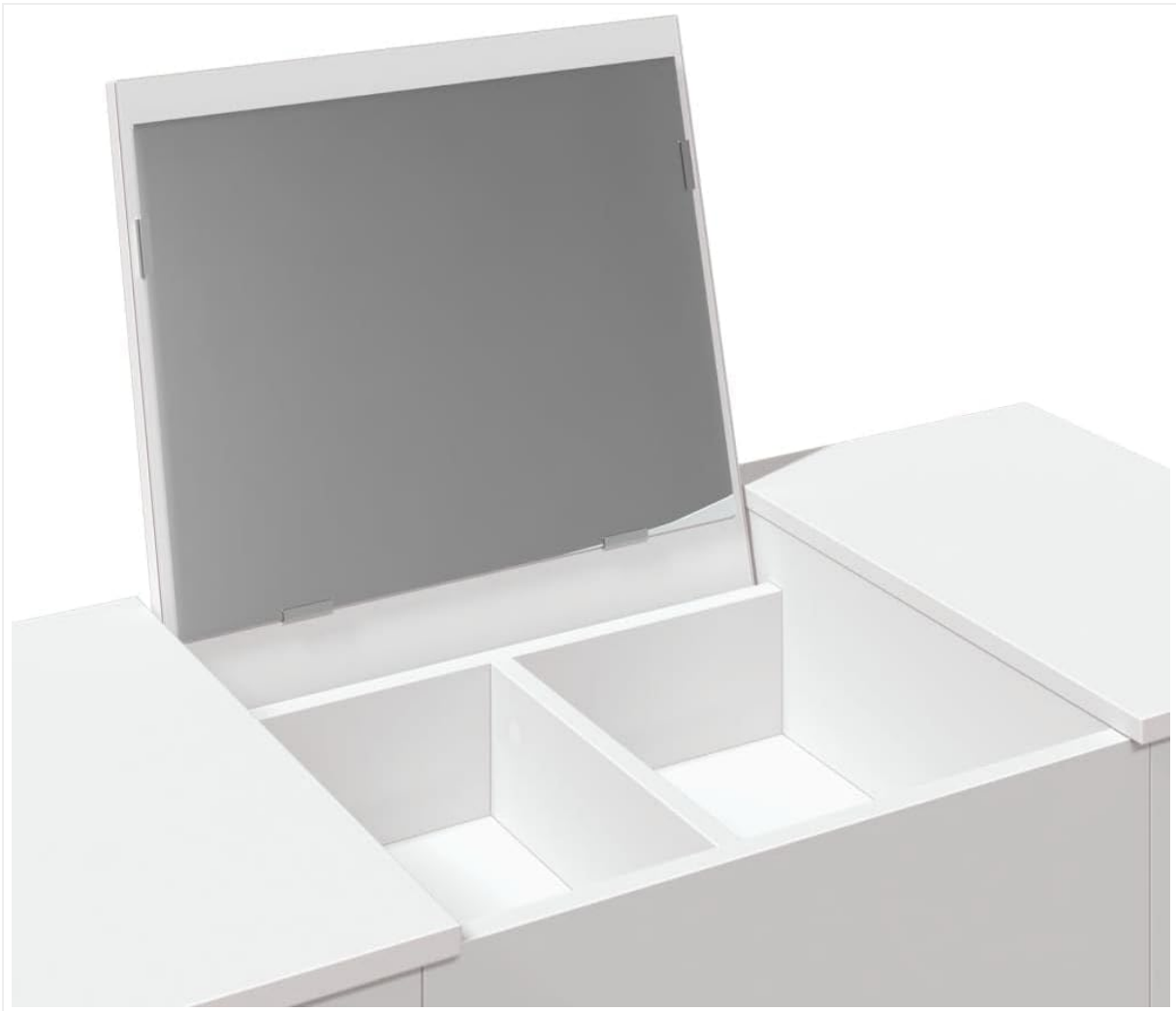


Image 5.1: Close-up view of the dressing table with the mirror lid open, showing the integrated mirror and the internal storage compartments.



Image 5.2: The dressing table with the mirror open and both side drawers partially extended, demonstrating the accessible storage options.

6. MAINTENANCE

Proper care will ensure the longevity and appearance of your dressing table.

- **Cleaning:** Wipe surfaces with a clean, dry, or slightly damp cloth. Avoid abrasive cleaners or harsh chemicals that may damage the finish.
- **Spills:** Immediately wipe up any spills to prevent staining or moisture damage to the engineered wood.
- **Mirror Care:** Clean the mirror with a standard glass cleaner and a soft, lint-free cloth.
- **Inspection:** Periodically check all screws and fasteners to ensure they remain tight. Retighten if necessary.

7. TROUBLESHOOTING

If you encounter issues during assembly or use, refer to the following common problems and solutions:

- **Difficulty with Assembly:** Review the assembly manual carefully. Some users have reported that diagrams may appear reversed or unclear. Examine the physical parts and visualize the assembly steps before fastening. If unsure, seek assistance from a second person.
- **Drawers Do Not Align Evenly:** Ensure all drawer slides are installed correctly and are level. Check that the

drawer boxes themselves are assembled squarely. Minor adjustments to screw tightness on slides can sometimes help.

- **Mirror Attachment Issues:** If there are no pre-drilled holes for mirror attachment, carefully measure and mark the positions before drilling pilot holes. Ensure the mirror is centered and at the correct distance from the edge.
- **Top Does Not Lift (Expected):** Note that only the central mirror section of the tabletop is designed to lift. The entire top surface does not lift as a single unit. The middle section with the mirror is intended to be positioned for use and then closed.
- **Product Tipping:** Ensure the wall-mounting device is correctly installed and securely fastened to a sturdy wall. This is essential for preventing tipping.

8. SPECIFICATIONS

Brand	vidaXL
Model Number	840695
Color	White
Material	Engineered wood, Glass
Style	Modern
Item Dimensions (W x D x H)	100 x 45 x 76 cm (39.4 x 17.7 x 29.9 inches)
Item Weight	28.4 Kilograms (62.6 lbs)
Assembly Required	Yes
Care Instructions	Wipe clean with a dry cloth.
Special Features	Integrated mirror, spacious storage, robust and durable construction.

9. WARRANTY AND SUPPORT

For warranty information, product support, or to report missing/damaged parts, please contact the retailer or vidaXL customer service directly. Refer to your purchase documentation for specific contact details and warranty terms.