

[Manuals.plus](#) /

> [Massive Audio](#) /

> Massive Audio GTR102-10 Subwoofer Instruction Manual

Massive Audio GTR102

Massive Audio GTR102-10 Subwoofer Instruction Manual

Model: GTR102-10 | Brand: Massive Audio

1. INTRODUCTION

Thank you for choosing the Massive Audio GTR102-10 Subwoofer. This manual provides essential information for the proper installation, operation, and maintenance of your new subwoofer. Please read it thoroughly before use to ensure optimal performance and longevity of your product.

What's in the Box:

- Massive Audio GTR102-10 inch 1000W RMS Dual 2 Ohm Subwoofer (with integrated grill)
- Warranty Card and Documentation



Image 1.1: The Massive Audio GTR102-10 Subwoofer with its integrated protective grill.

2. SAFETY INFORMATION

Always observe the following safety precautions to prevent injury or damage to the product and vehicle:

- **Professional Installation Recommended:** For optimal performance and safety, professional installation by a qualified car audio technician is highly recommended.
- **Power Handling:** Do not exceed the recommended RMS or peak power ratings to prevent damage to the subwoofer.
- **Wiring:** Ensure all wiring is correctly connected and insulated to prevent short circuits and electrical hazards. Use appropriate gauge wiring for power and speaker connections.
- **Mounting:** Securely mount the subwoofer in a suitable enclosure to prevent movement during vehicle operation.
- **Ventilation:** Ensure adequate ventilation around the subwoofer and amplifier to prevent overheating.
- **Volume Levels:** Prolonged exposure to high volume levels can cause hearing damage.

3. PRODUCT OVERVIEW

The Massive Audio GTR102-10 is a high-performance 10-inch subwoofer designed for deep, impactful bass reproduction. It features robust construction and advanced components for durability and sound quality.

Key Features:

- **Rugged Steel Basket:** Constructed with a heavy-gauge steel basket and industrial-grade textured paint for minimal resonance and maximum durability.
- **High Flux Magnet & Voice Coil:** Features dual stacked high-flux Y30 120oz Strontium Ferrite magnets and a 2.5-inch high-temperature voice coil (Made in USA) for thermal stability and power handling.
- **Custom Surround & Cone:** Equipped with a custom high-roll foam surround with the Massive Audio logo and a textured non-pressed pulp cone infused with resin for enhanced excursion and responsiveness.
- **Precision Suspension:** High-grade woven round tinsel leads and a precision spider suspension system ensure accurate cone movement and efficient signal transfer.
- **Integrated Grill:** Comes with a built-in protective grill to safeguard the cone.



Image 3.1: Angled view showcasing the GTR102-10 subwoofer's cone and grill.



Image 3.2: Side view highlighting the robust basket and wiring terminals of the GTR102-10 subwoofer.

4. SETUP AND INSTALLATION

Proper installation is crucial for the performance and longevity of your subwoofer. Consult a professional installer if you are unsure about any steps.

4.1 Enclosure Recommendations:

The GTR102-10 subwoofer is designed to perform optimally in specific enclosure types. Refer to the specifications section for detailed volume recommendations.

- **Ported Box (Ideal):** Approximately 1 cubic foot (ft³) tuned to 44 Hz.
- **Sealed Box (Ideal):** Approximately 0.75 cubic feet (ft³).

4.2 Wiring the Subwoofer:

The GTR102-10 features a Dual 2 Ohm voice coil. This allows for flexible wiring configurations to match your amplifier's impedance requirements. Always ensure correct polarity (+ to + and - to -).

- **Parallel Wiring (1 Ohm Load):** Connect both positive terminals of the voice coils together and both negative terminals together. This results in a 1 Ohm load, suitable for amplifiers stable at 1 Ohm.
- **Series Wiring (4 Ohm Load):** Connect the positive terminal of one voice coil to the negative terminal of the other voice coil. The remaining positive and negative terminals will then connect to the amplifier, resulting in a 4 Ohm load.

Use the custom terminal case with flexible pure copper wire for secure connections. Ensure all connections are tight and free from corrosion.

4.3 Mounting:

Mount the subwoofer securely within its enclosure. Use appropriate screws and ensure a tight seal to prevent air leaks, which can degrade sound quality. Refer to the dimension diagram for precise measurements.

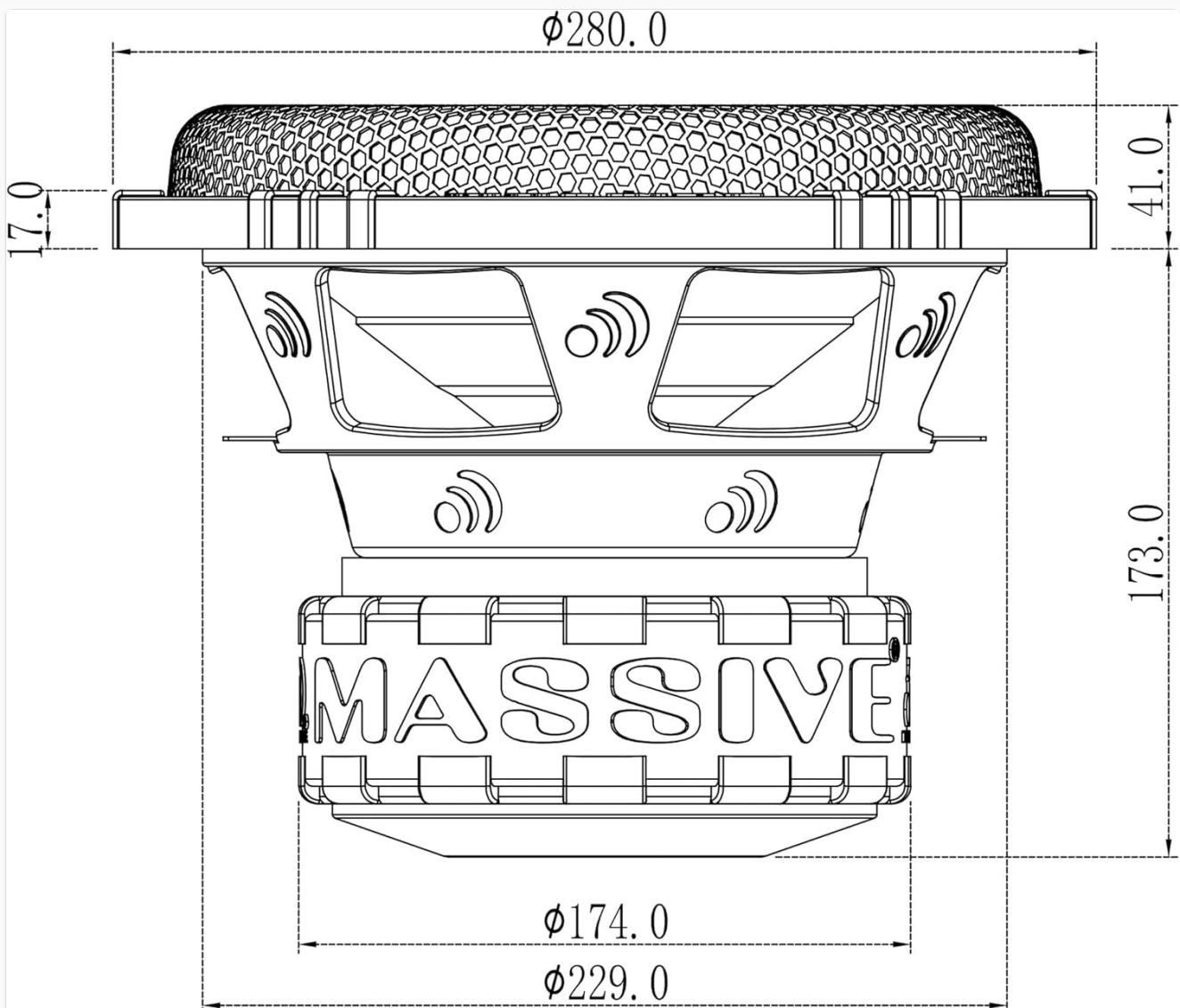


Image 4.1: Technical diagram showing the dimensions of the GTR102-10 subwoofer for enclosure design.

5. OPERATING INSTRUCTIONS

Once installed, follow these guidelines for optimal operation of your GTR102-10 subwoofer.

5.1 Initial Power-Up:

- Before turning on your audio system, double-check all wiring connections.
- Start with the amplifier's gain control at its minimum setting.
- Gradually increase the volume and adjust the amplifier's gain and crossover settings to achieve desired bass output without distortion.

5.2 Tuning and Crossover Settings:

The GTR102-10 has a frequency response down to 12 Hz and an FS of 38.1 Hz. For best results, use a low-pass filter on your amplifier to send only low frequencies to the subwoofer. A typical starting point for the low-pass filter is between 80 Hz and 100 Hz, with a slope of 12dB or 24dB per octave. Adjust to blend seamlessly with your main speakers.

5.3 Power Handling:

The GTR102-10 is rated for 1000 Watts RMS (800W RMS ideal) and 1500 Watts Peak power. Ensure your amplifier provides sufficient, clean power within this range. Underpowering or overpowering can lead to damage.

Your browser does not support the video tag.

Video 5.1: A demonstration of the Massive Audio GTR10 subwoofer in operation, showcasing its bass output and features.

6. MAINTENANCE

Regular maintenance helps ensure the longevity and performance of your subwoofer.

- **Cleaning:** Use a soft, dry cloth to wipe down the subwoofer and grill. Avoid using harsh chemicals or abrasive cleaners.
- **Inspection:** Periodically check all wiring connections for tightness and signs of corrosion. Inspect the cone and surround for any tears or damage.
- **Environment:** Keep the subwoofer away from extreme temperatures, direct sunlight, and moisture.

7. TROUBLESHOOTING

If you experience issues with your GTR102-10 subwoofer, refer to the following common problems and solutions:

7.1 No Sound:

- **Check Power:** Ensure the amplifier is receiving power and is turned on.
- **Check Connections:** Verify all speaker wires are securely connected to both the subwoofer and the amplifier, and that polarity is correct.
- **Check Amplifier Settings:** Ensure the amplifier's gain is not at minimum and that the crossover settings are appropriate.
- **Check Source Unit:** Confirm the head unit or source is sending an audio signal.

7.2 Distorted Sound:

- **Reduce Gain:** Lower the amplifier's gain setting. Distortion often occurs when the amplifier is overdriven.
- **Check Crossover:** Adjust the low-pass filter to prevent higher frequencies from reaching the subwoofer.
- **Check Power Supply:** Ensure the amplifier is receiving stable power. Insufficient power can cause clipping and distortion.
- **Inspect Subwoofer:** Check the subwoofer cone and surround for any physical damage.

7.3 Overheating:

- **Check Impedance:** Ensure the subwoofer's wiring impedance matches the amplifier's stable load.
- **Ventilation:** Verify that the amplifier and subwoofer have adequate airflow.
- **Gain Settings:** Reduce the amplifier's gain if it's set too high, causing the amplifier to work harder than necessary.

8. SPECIFICATIONS

Feature	Specification
Model	GTR102
Size	10-inch
RMS Power Range	400W - 1000W (800W Ideal)
Peak Power	1500W
Voice Coil	2.5" Dual 2 Ohm, Hi-Temp (Made in USA)
Magnet	Dual Stacked High Flux Y30 120oz Strontium Ferrite
Cone Material	Textured Non-Pressed Pulp with Resin
Surround Material	Custom High Roll Foam with MASSIVE Logo
Basket	Heavy Gauge Steel with Industrial Texture Painting
X-Max	15mm
SPL (Sensitivity)	83dB
FS (Resonant Frequency)	38.1Hz
Recommended Ported Box (Ideal)	1 ft ³ (11.2" H x 17.5" D x 11.7" W), Tuned to 44 Hz
Recommended Sealed Box (Ideal)	0.75 ft ³
Item Weight	21 Pounds
Connectivity Technology	Wired (RCA input to amplifier)

9. WARRANTY INFORMATION

The Massive Audio GTR102-10 Subwoofer comes with a Limited Warranty. Please refer to the warranty card included in the product packaging for specific terms, conditions, and duration of coverage. Retain your proof of purchase for warranty claims.

10. SUPPORT

For further assistance, technical support, or inquiries regarding your Massive Audio GTR102-10 Subwoofer, please visit the official Massive Audio website or contact their customer service department.

Massive Audio Official Store: [Visit the Massive Audio Store on Amazon](#)



© 2026 Massive Audio. All rights reserved.