



[Manuals.plus](#) /

> [vidaXL](#) /

> [vidaXL Folding Patio Table \(Model 4004911\) User Manual](#)

vidaXL 4004911

vidaXL Folding Patio Table (Model 4004911) User Manual

Solid Acacia Wood, Ø43.3x29.5 inches

1. INTRODUCTION

This manual provides essential information for the safe assembly, operation, and maintenance of your vidaXL Folding Patio Table. Please read these instructions carefully before using the product and retain them for future reference.



Image 1.1: The vidaXL Folding Patio Table positioned on a patio with plants and chairs, showcasing its use in an outdoor environment.

2. SAFETY INFORMATION

- Always assemble the table on a flat, stable surface.
- Ensure all screws and fasteners are securely tightened before use.
- Do not exceed the maximum weight capacity of the table (specific capacity not provided, use general caution).
- Keep children and pets away during assembly to prevent injury.
- Avoid placing hot items directly on the table surface without protection.
- This product is designed for outdoor use. Prolonged exposure to extreme weather conditions may affect its lifespan.

3. PACKAGE CONTENTS

Before beginning assembly, please verify that all components listed below are present and undamaged.

- 1x Folding Patio Tabletop (Acacia Wood)
- 1x Folding Leg Assembly (Acacia Wood)
- Assembly Hardware (screws, bolts, washers, Allen key - if applicable, not explicitly listed but common)
- Instruction Manual (this document)

4. SETUP AND ASSEMBLY

The vidaXL Folding Patio Table requires minimal assembly. Follow these steps to set up your table.

4.1 Unfolding the Table

1. Carefully remove the table from its packaging.
2. Place the folded table on a clean, flat surface.
3. Gently pull the leg assemblies outwards until they are fully extended and locked into place. Ensure the locking mechanisms (if present) are engaged for stability.
4. Flip the table upright. Verify that all legs are stable and the table does not wobble.



Image 4.1: The vidaXL Folding Patio Table shown in its fully unfolded state, ready for use.



Image 4.2: A view of the table in a partially folded state, illustrating the folding mechanism.

5. OPERATING INSTRUCTIONS

5.1 Using the Table

Once assembled, the table is ready for use. Its robust acacia wood construction makes it suitable for various outdoor activities.

- Place the table on a level surface to ensure stability.
- Distribute weight evenly across the tabletop.

- To fold the table for storage, reverse the unfolding steps. Ensure any locking mechanisms are disengaged before folding the legs inwards.



Image 5.1: Front view of the fully assembled table, highlighting its octagonal tabletop and sturdy leg structure.

6. MAINTENANCE AND CARE

To ensure the longevity and appearance of your acacia wood table, follow these maintenance guidelines:

- **Cleaning:** Wipe the table regularly with a damp cloth. For stubborn dirt, use a mild soap solution and rinse thoroughly. Dry immediately with a clean cloth.
- **Oiling:** Acacia wood benefits from periodic oiling to maintain its rich color and protect it from moisture. Apply a suitable wood oil (e.g., teak oil or linseed oil) 1-2 times a year, or as needed, following the oil product's instructions.
- **Storage:** When not in use, especially during harsh weather conditions (heavy rain, snow, prolonged direct sunlight), store the table in a dry, sheltered area. The folding feature allows for compact storage.
- **Protection:** Consider using a protective cover when the table is left outdoors for extended periods.
- **Inspection:** Periodically check all screws and fasteners and tighten them if necessary to ensure structural integrity.



Image 6.1: A detailed view of the acacia wood tabletop, showing the natural grain and slat design, which benefits from regular maintenance.

7. TROUBLESHOOTING

Problem	Possible Cause	Solution
Table wobbles	Uneven surface; loose fasteners; legs not fully extended.	Move table to a level surface. Check and tighten all fasteners. Ensure legs are fully extended and locked.
Wood appears dry or faded	Lack of regular oiling; prolonged sun exposure.	Clean the table and apply a suitable wood oil. Store in shade or use a protective cover.
Difficulty folding/unfolding	Mechanism stiff; obstruction.	Ensure no debris is obstructing the mechanism. Apply a small amount of silicone spray to hinges if stiff. Do not force.

8. SPECIFICATIONS

Feature	Detail
Brand:	vidaXL
Model Number:	4004911
Material:	Solid Acacia Wood with an oil finish
Dimensions (Diameter x Height):	Ø43.3 x 29.5 inches (110 x 75 cm)
Foldable:	Yes
Item Weight:	15.5 Kilograms
Assembly Required:	Yes (minimal)

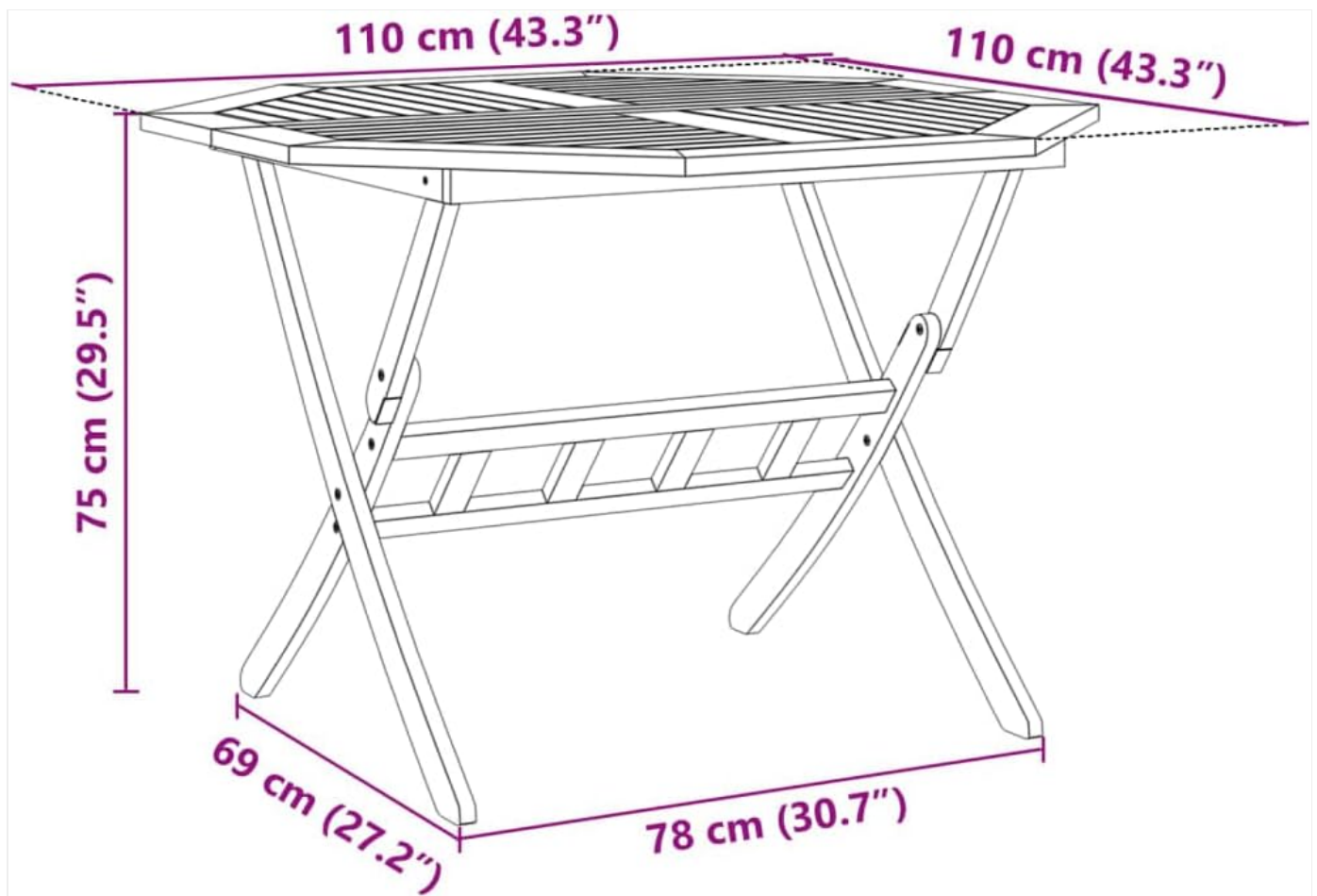


Image 8.1: Technical diagram illustrating the key dimensions of the table, including diameter and height.

9. WARRANTY AND SUPPORT

For warranty information or technical support, please refer to the retailer's policy or contact vidaXL customer service directly. Keep your proof of purchase for any warranty claims.

You can visit the official vidaXL store for more products and support: [vidaXL Store on Amazon](#)



