



Manuals.plus /

› **Blueshaweu** /

› Blueshaweu Magnetic Charger for EIGIIS KE3 Smartwatch - Instruction Manual

Blueshaweu EIGIIS KE3

Blueshaweu Magnetic Charger for EIGIIS KE3 Smartwatch

Instruction Manual

1. INTRODUCTION

Thank you for choosing the Blueshaweu Magnetic Charger. This manual provides essential information for the safe and efficient use of your new charging cable. Please read these instructions carefully before use and retain them for future reference.

2. PRODUCT OVERVIEW

The Blueshaweu Magnetic Charger is designed to provide a convenient and secure charging solution for compatible smartwatches. It features a magnetic connection for easy attachment and is constructed with durable materials for longevity.

- **Magnetic Design:** Ensures a firm and stable connection to your smartwatch's charging area.
- **Fast Charging:** Designed to charge your smartwatch efficiently.
- **Portable:** Lightweight and compact, ideal for travel and daily use.
- **Durable Construction:** Made with PVC and ABS materials for safe and reliable charging.
- **Length:** Approximately 1 meter (3.3 feet) for convenient placement.



Figure 2.1: Magnetic charging head and USB connector.



Figure 2.2: Cable construction details, including materials and length.

3. COMPATIBILITY

This charging cable is compatible with the following smartwatch models:

- EIGIIS KE3
- LaNikar DWTKE3
- KE2
- EW5
- Other compatible models: KLOGIPOW, JELLOO, WitUser, VOPOCO.

Note: This cable is not compatible with other smartwatch models. Please verify your smartwatch model before purchase.

4. SETUP

To set up your Blueshaweu Magnetic Charger:

1. Connect the USB-A end of the charging cable to a compatible power source. This can be a USB port on a laptop, a power bank, or a wall charger with a USB-A port.
2. Ensure the power source is active and providing power.



Figure 4.1: Multiple charging methods for your smartwatch.

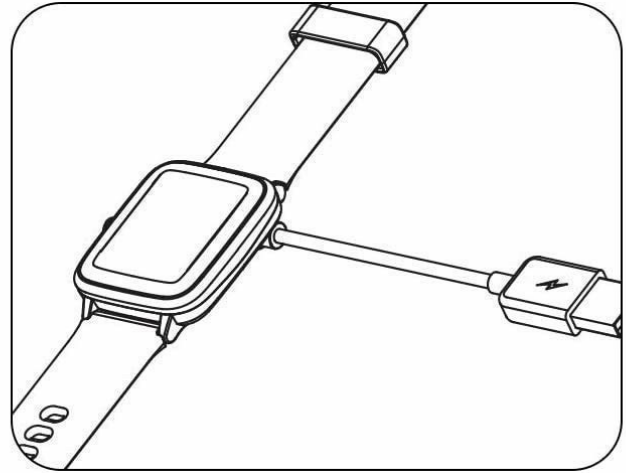
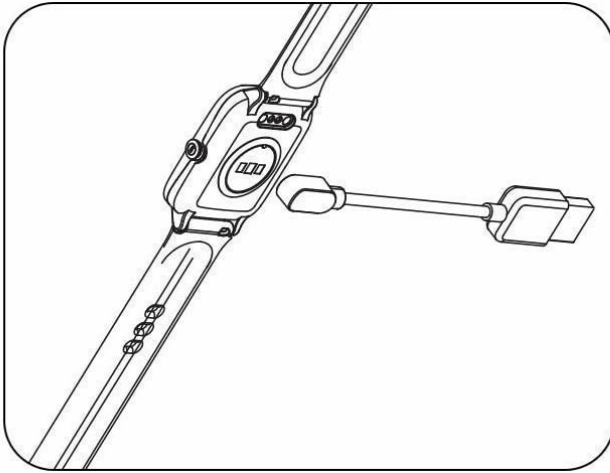
5. OPERATING

To charge your smartwatch using the Blueshaweu Magnetic Charger:

1. With the USB end connected to a power source, bring the magnetic charging head close to the charging contacts on the back of your smartwatch.
2. The magnetic connection will automatically align and secure the charger to the smartwatch. Ensure the magnets attract and hold firmly.

3. A charging indicator (usually an icon or percentage) should appear on your smartwatch screen, confirming that charging has begun.
4. The smartwatch typically takes approximately 40 minutes for a full charge.

Magnetic Charging Interface



If the charging magnets repel, the device will not charge.



You can charge correctly if the magnets attract whilst charging,



While charging

Figure 5.1: Correct magnetic charging interface connection.

6. MAINTENANCE

To ensure the longevity and optimal performance of your charging cable:

- Keep the magnetic charging contacts clean and free from dust or debris.
- Avoid bending or twisting the cable excessively, especially near the connectors.
- Store the cable in a cool, dry place when not in use.
- Do not expose the cable to extreme temperatures or direct sunlight for prolonged periods.

7. TROUBLESHOOTING

7.1 Smartwatch Not Charging

- **Check Magnetic Connection:** If the magnetic poles appear to repel, try rotating the charging head 180 degrees and re-attaching it to the smartwatch. The magnets should attract firmly for proper charging.
- **Verify Power Source:** Ensure the USB power source (laptop, power bank, wall adapter) is functioning correctly and providing power. Try a different USB port or adapter if necessary.
- **Inspect Cable:** Check the charging cable for any visible damage, such as cuts or frayed wires. Do not use a damaged cable.
- **Clean Contacts:** Ensure the charging contacts on both the cable and the smartwatch are clean and free of any obstructions.

8. SPECIFICATIONS

Feature	Detail
Brand	BlueshaweU
Model Number	EIGIIS KE3
Cable Type	USB
Connector Type	USB Type A
Special Feature	Fast Charging
Compatible Devices	Smartwatch (EIGIIS KE3, LaNikar DWTKE3, KE2, KE3, EW5)
Cable Length	Approx. 1 meter (3.3 feet)
Color	Black
Number of Pins	4

9. SAFETY INFORMATION

Please observe the following safety precautions:

- Do not attempt to disassemble or modify the charging cable.
- Keep the cable away from water, moisture, and flammable materials.
- Do not use the charger if it appears damaged.
- Ensure children do not play with the charging cable.
- Use only with compatible smartwatches as specified.

10. WARRANTY AND SUPPORT

Specific warranty details for this product are not provided in this manual. For warranty information, technical support, or customer service inquiries, please refer to the manufacturer's official website or contact your retailer.