

Manuals+

[Q & A](#) | [Deep Search](#) | [Upload](#)

manuals.plus /

› [VEVOR](#) /

› [VEVOR BH-1808 Full Body Shiatsu 3D Zero Gravity Massage Chair User Manual](#)

VEVOR BH-1808

VEVOR BH-1808 Full Body Shiatsu 3D Zero Gravity Massage Chair User Manual

Model: BH-1808 (Also referred to as BH-6223 or AMYSXYKBBSD8T)

Brand: VEVOR

1. SAFETY WARNINGS

Please read all instructions carefully before using the VEVOR BH-1808 Massage Chair. Failure to follow these instructions may result in injury or damage to the product.

- **Weight Capacity:** Do not exceed the maximum weight capacity of 350 lbs (160 kg) to ensure stability and safety.
- **Power Source:** Connect the chair only to a grounded power outlet with the correct voltage.
- **Children and Pets:** Keep children and pets away from the chair, especially during operation.
- **Medical Conditions:** Consult a physician before use if you have any medical conditions, are pregnant, or have a pacemaker.
- **Liquid Exposure:** Do not expose the chair to water or other liquids. Do not operate with wet hands.
- **Maintenance:** Unplug the chair before cleaning or performing any maintenance.
- **Damage:** Do not use the chair if the power cord or plug is damaged, or if the chair is malfunctioning. Contact customer support for assistance.
- **Heat:** Avoid placing the chair near heat sources or in direct sunlight for extended periods.

2. PRODUCT OVERVIEW

The VEVOR BH-1808 Full Body Shiatsu 3D Zero Gravity Massage Chair is designed to provide a comprehensive and relaxing massage experience. It features advanced massage technology, including multiple rollers, airbags, and heating functions, all controlled via an intuitive touchscreen.

Key Features:

- **Full Body Massage:** 8 massage rollers from neck to lumbar, 6 automatic modes, 2 massage techniques, and 32 airbags for deep tissue massage.
- **Zero Gravity Recline:** 3 adjustable levels (135°, 140°, 145°) to relieve spinal pressure and improve circulation.
- **User-Friendly Controls:** Touchscreen interface for adjusting intensity, duration, techniques, and airbag pressure.

- **Lumbar Heating:** Integrated heating function in the backrest to promote blood circulation.
- **Adjustable Footrests:** Retractable footrests to accommodate various user heights.
- **Bluetooth Speaker:** Built-in Bluetooth speaker for audio playback during massage sessions.
- **Durable Material:** Constructed with high-quality, waterproof semi-PU leather for comfort and easy maintenance.



Figure 2.1: The VEVOR BH-1808 Full Body Shiatsu 3D Zero Gravity Massage Chair in brown semi-PU leather.



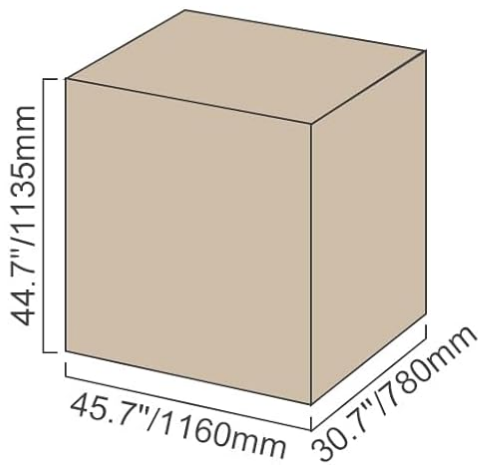
Figure 2.2: The VEVOR BH-1808 Massage Chair positioned in a home environment, showcasing its design.

3. SETUP AND ASSEMBLY

The VEVOR BH-1808 Massage Chair is designed for minimal assembly. It is typically shipped "out-of-the-box" with no complex assembly required.

Unpacking and Placement:

1. Carefully remove the chair from its packaging. It is recommended to have at least two people for lifting due to its weight (approximately 121.25 lbs / 55 kg).
2. Place the chair on a flat, stable surface, ensuring there is enough space around it for reclining and operation.
3. Inspect the chair for any visible damage that may have occurred during shipping.
4. Connect the power cord to the chair's power input, then plug it into a suitable grounded electrical outlet.



Item Model Number: BH-1808

Weight Capacity: 350lbs/160kg

Materials: Semi-PU Leather

Net Weight: 123lbs/55.8kg

Out-of-the-box, No Assembly Required

Figure 3.1: Diagram showing the dimensions of the VEVOR BH-1808 Massage Chair and its packaging. Note the "Out-of-the-box, No Assembly Required" label.

4. OPERATING INSTRUCTIONS

The VEVOR BH-1808 Massage Chair is operated using its integrated touchscreen control panel.

4.1 Power On/Off

- Ensure the chair is properly plugged into a power outlet.
- Press the power button on the touchscreen panel to turn the chair on or off.

TOUCH SCREEN OPERATION



Figure 4.1: The touchscreen control panel for operating the massage chair, showing options for airbag pressure, timing, massage intensities, and techniques.

4.2 Massage Modes and Techniques

The chair offers various massage options to customize your experience.

- **Automatic Modes:** Select from 6 pre-programmed automatic massage modes via the touchscreen. These modes combine different techniques and intensities for a full-body experience.
- **Massage Techniques:** The chair utilizes techniques such as Kneading and Airbag Compression. You can select and adjust these manually.
- **Airbag Pressure:** Adjust the airbag pressure through 5 levels to control the intensity of compression massage in areas like calves, forearms, shoulders, and hips.
- **Massage Intensity:** Choose from 3 massage intensities for the rollers.
- **Timing Options:** Set the duration of your massage session using the 4 available timing options.

6 AUTO MASSAGE MODES

Full-Body massage, soothing and relaxing



6 Auto Modes



2 Massage Techniques



32 Airbags

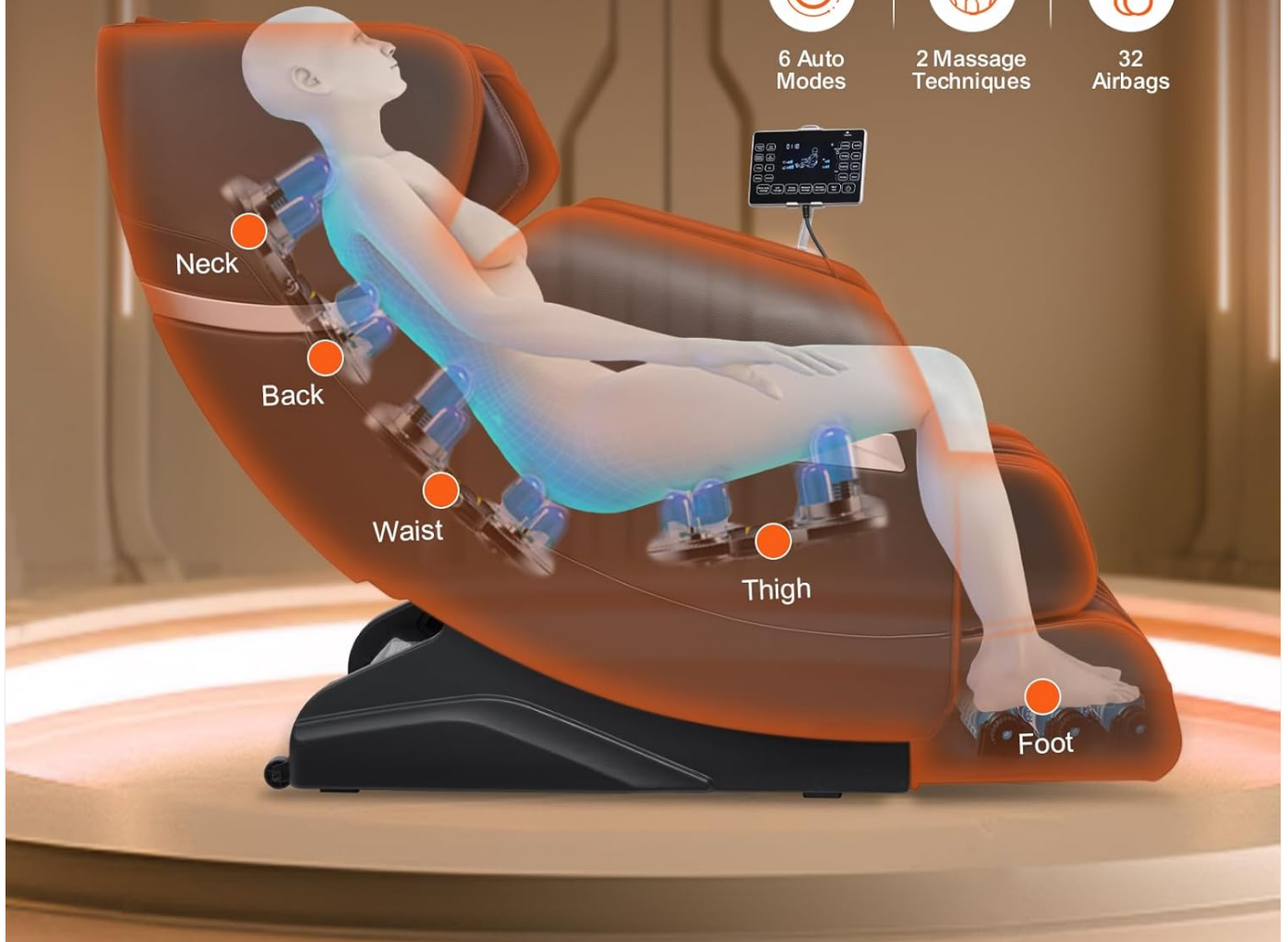


Figure 4.2: Illustration of the 6 auto massage modes, 2 massage techniques, and 32 airbags, highlighting massage points on the neck, back, waist, thigh, and foot.

32 AIRBAGS WRAP YOUR BODY

Close fit for ultimate comfort



5 Levels Airbag Pressure Adjustable, Comfortable and Ergonomic

Figure 4.3: The massage chair with 32 airbags highlighted, indicating their coverage for a full-body compression massage.

4.3 Zero Gravity Function

The Zero Gravity feature elevates your legs above your heart, distributing your body weight evenly and reducing pressure on your spine.

- Activate the Zero Gravity mode via the touchscreen.
- Choose from 3 adjustable levels: 135°, 140°, or 145° recline angle.



Figure 4.4: The massage chair demonstrating its 3-level adjustable zero gravity recline feature, providing an immersive massage experience.

4.4 Additional Functions

- **Lumbar Heating:** Activate the lumbar heating function for soothing warmth in the lower back area.
- **Retractable Footrests:** Adjust the length of the footrests to comfortably fit your leg length.
- **Bluetooth Speaker:** Pair your mobile device with the chair's Bluetooth speaker to enjoy music or audio during your massage. Refer to your device's Bluetooth pairing instructions.

VARIOUS FUNCTIONS

Enjoyable and Comfortable

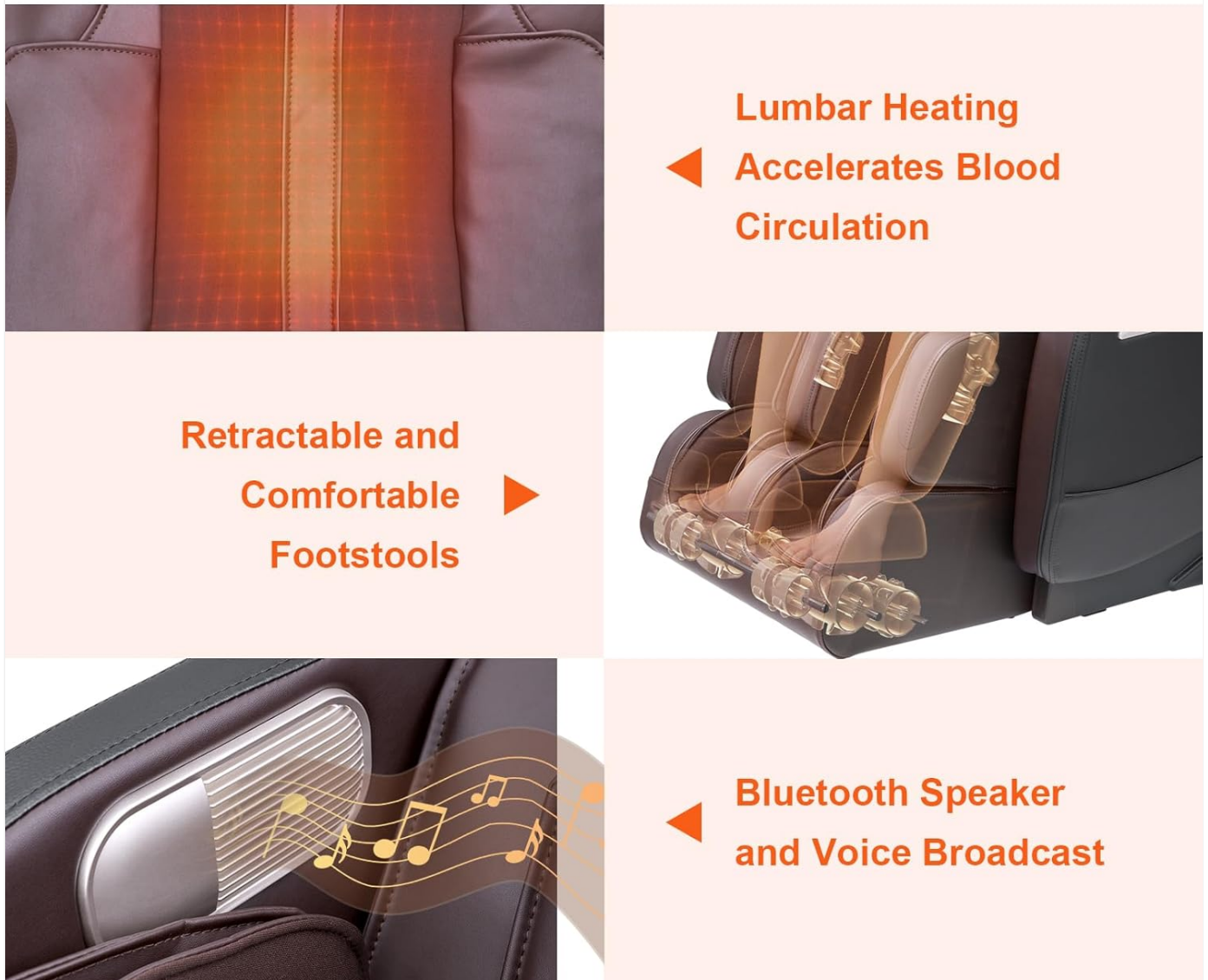


Figure 4.5: Visual representation of the lumbar heating element, the retractable and comfortable footrests, and the integrated Bluetooth speaker with voice broadcast capability.

5. MAINTENANCE

Regular maintenance ensures the longevity and optimal performance of your massage chair.

- **Cleaning:** Unplug the chair before cleaning. Wipe the semi-PU leather surface with a soft, damp cloth. Do not use abrasive cleaners, solvents, or harsh chemicals.
- **Dusting:** Regularly dust the chair to prevent accumulation, especially in crevices.
- **Storage:** If storing the chair for an extended period, ensure it is clean, dry, and covered to protect it from dust and moisture.
- **Inspection:** Periodically check the power cord and plug for any signs of damage.

6. TROUBLESHOOTING

If you encounter issues with your VEVOR BH-1808 Massage Chair, refer to the following common troubleshooting steps.

- **Chair does not power on:**
 - Ensure the power cord is securely plugged into both the chair and a working electrical outlet.

- Check the circuit breaker or fuse for the outlet.

- **Massage functions are not working:**

- Verify the chair is powered on.
- Check if a specific massage mode or function is selected on the touchscreen.
- Ensure no safety features (e.g., weight limit exceeded) are preventing operation.

- **Unusual noises during operation:**

- Minor operational sounds are normal. If noises are loud or unusual, power off the chair and inspect for any obstructions.
- Contact customer support if the noise persists or indicates a malfunction.

- **Bluetooth connection issues:**

- Ensure Bluetooth is enabled on your mobile device.
- Move your device closer to the chair.
- Try unpairing and re-pairing the device.

For issues not covered here, please contact VEVOR customer support.

7. SPECIFICATIONS

Feature	Detail
Model Number	BH-1808 (Also BH-6223, AMYSXYKBBSDD8T)
Brand	VEVOR
Weight Capacity	350 lbs (160 kg)
Materials	High-quality waterproof Semi-PU Leather
Net Weight	121.25 lbs (55 kg)
Product Dimensions (Fixed)	56.3" x 28.7" x 41.7" (1430 x 730 x 1060 mm)
Product Dimensions (Zero Gravity)	68.9" x 28.7" x 34.6" (1750 x 730 x 880 mm)
Color	Brown
Massage Rollers	8 (Neck to Lumbar)
Airbags	32
Auto Massage Modes	6
Massage Techniques	Kneading, Airbag Compression
Zero Gravity Levels	3 (135°, 140°, 145°)
Airbag Pressure Levels	5
Massage Intensity Levels	3
Timing Options	4
Special Features	Lumbar Heating, Retractable Footrests, Bluetooth Speaker, Touchscreen Control

8. WARRANTY AND SUPPORT

For warranty information, technical support, or service inquiries, please refer to the documentation included with your purchase or visit the official VEVOR website.

Contact Information: Please consult your purchase receipt or the VEVOR official website for the most up-to-date customer service contact details.

