



[Manuals.plus](#) /

> [Grand patio](#) /

> Grand patio 10x10 FT Double-Sided Cantilever Patio Umbrella Instruction Manual

Grand patio B0D2XFK75D

Grand patio 10x10 FT Double-Sided Cantilever Patio Umbrella Instruction Manual

Model: B0D2XFK75D

INTRODUCTION

Thank you for choosing the Grand patio 10x10 FT Double-Sided Cantilever Patio Umbrella. This manual provides essential information for the safe assembly, operation, maintenance, and troubleshooting of your new outdoor umbrella. Please read these instructions carefully before use and retain them for future reference.

SAFETY INFORMATION

- Always close the umbrella during strong winds, heavy rain, or other severe weather conditions to prevent damage or injury.
- Ensure the base is properly weighted and stable before opening the umbrella. The included mobile weighted base requires sandbags for optimal stability.
- Keep children and pets away from the umbrella during opening and closing operations.
- Do not hang objects from the umbrella frame or ribs.
- Avoid placing the umbrella near open flames or heat sources.
- Regularly inspect all components for wear and tear. Replace damaged parts immediately.

PACKAGE CONTENTS

Please verify that all components are present before beginning assembly.

- Double-Sided Cantilever Umbrella Canopy (1 unit)
- Umbrella Pole/Frame (1 unit)
- Mobile Weighted Base with Wheels (1 unit)
- Umbrella Cover (2 units)
- Assembly Hardware (bolts, nuts, washers, tools if included)

Shade Up to 200 Square Feet



Image: All components of the Grand patio 10x10 FT Double-Sided Cantilever Patio Umbrella laid out, including the canopy, pole, base, and cover.

SETUP AND ASSEMBLY

Assembly typically requires two adults. Follow these steps carefully:

- 1. Unpack Components:** Carefully remove all parts from the packaging and lay them out on a clean, flat surface. Check against the package contents list.
- 2. Assemble the Base:**
 - Position the mobile weighted base in the desired location. Ensure the wheels are unlocked for initial movement.
 - Fill the base compartments with sandbags. The base is designed to hold four sandbags with a total weight of 420 pounds for optimal stability.
 - Once filled, lock the wheels to secure the base in place.

Mobile Base Included



Put **4 sandbags** with a total weight of **480 pounds**

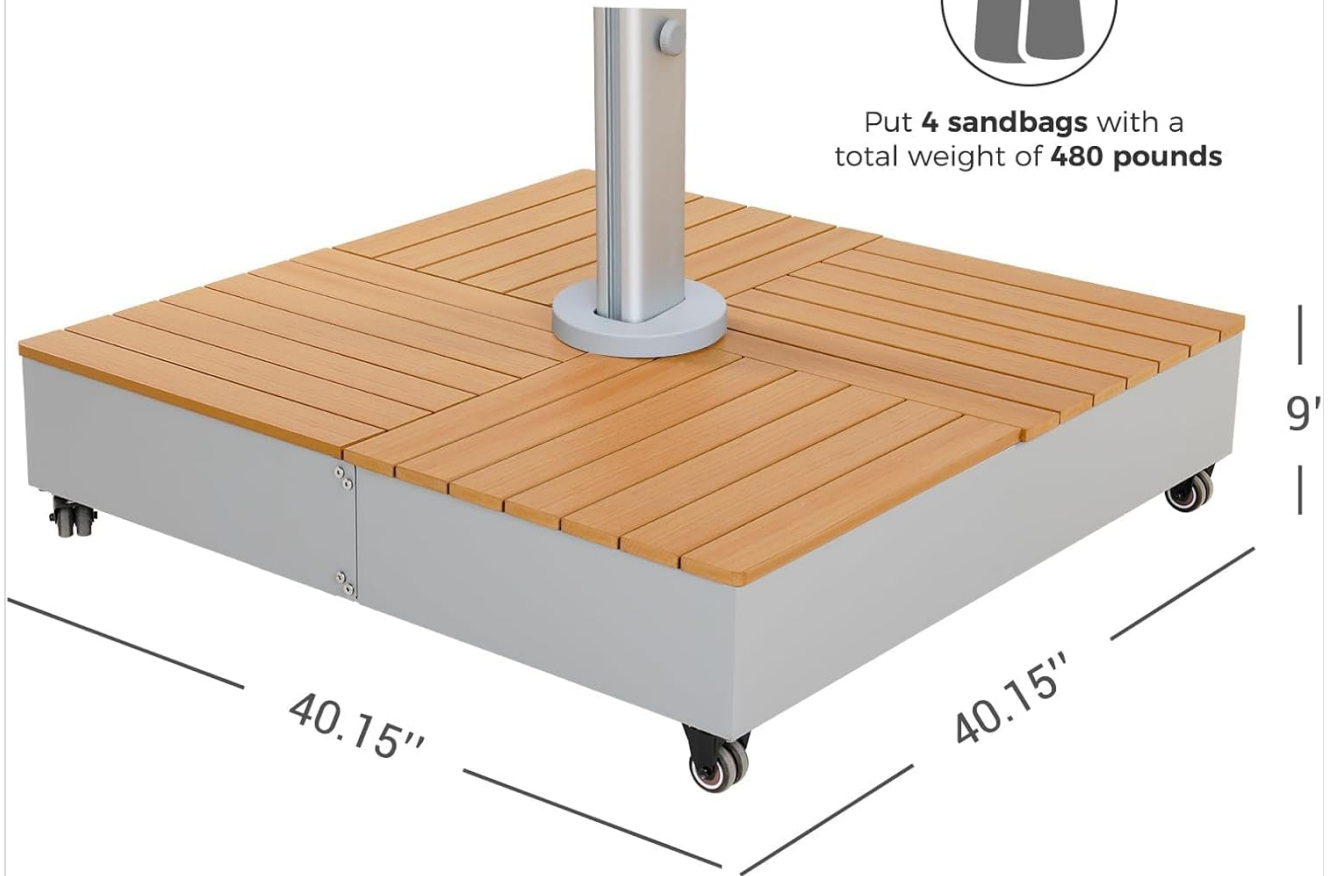


Image: Close-up of the mobile weighted base with wheels, showing the compartments for sandbags and the locking mechanism for the wheels.

3. Attach the Umbrella Pole:

- Carefully insert the main umbrella pole into the designated slot on the weighted base.
- Secure the pole to the base using the provided hardware (bolts, washers, nuts). Ensure all connections are tight.

4. Mount the Canopy:

- With assistance, lift the double-sided canopy assembly and attach it to the top of the umbrella pole.
- Follow the specific instructions for securing the canopy to the frame, typically involving bolts or a locking pin.

Smooth Crank System



Image: Detail of the umbrella's smooth crank system and the aluminum structure with oxidation-resistant paint, highlighting the strong support for the double-sided canopy.

OPERATING INSTRUCTIONS

This umbrella features a crank lift opening mechanism and manual tilt for optimal shade adjustment.

1. Opening the Umbrella:

- Ensure the base is stable and locked.
- Locate the crank handle on the umbrella pole.
- Turn the crank handle clockwise to slowly open the canopy until it is fully extended. Do not force the crank if resistance is met.

2. Adjusting the Tilt:

- The umbrella features a manual tilt mechanism. To adjust the angle of the canopy, locate the tilt button or lever on the pole.
- Press the button or engage the lever and gently tilt the canopy to the desired angle. Release the button/lever to lock it in place.

3. Closing the Umbrella:

- First, return the canopy to its upright position by disengaging the tilt mechanism.

- Turn the crank handle counter-clockwise to slowly retract the canopy until it is fully closed.
- Secure the closed canopy with any integrated straps or ties to prevent it from opening unexpectedly.

Your browser does not support the video tag.

Video: Official Grand Patio video demonstrating the operation and features of the Double Sided Patio Umbrella with Base, including opening, closing, and adjustment.

MAINTENANCE AND CARE

- **Cleaning the Canopy:**

- Clean the acrylic fabric canopy with mild soap and water. Rinse thoroughly and allow to air dry completely before closing or storing.
- Do not use harsh chemicals or abrasive cleaners, as these can damage the fabric and its UV protection.

- **Frame Care:**

- Wipe the aluminum frame with a damp cloth to remove dirt and debris.
- Periodically check all bolts and connections to ensure they remain tight.

- **Storage:**

- When not in use, especially during off-season or severe weather, close the umbrella and secure it with the provided cover.
- Store the umbrella in a dry, protected area to prolong its lifespan.



Image: The Grand patio double-sided umbrella shown with its protective cover installed, ready for storage or protection from elements.

TROUBLESHOOTING

Problem	Possible Cause	Solution
Umbrella does not open or close smoothly.	Mechanism is stiff or obstructed.	Check for any obstructions in the crank mechanism or canopy ribs. Apply a silicone-based lubricant to moving parts if necessary.
Umbrella feels unstable.	Base is not sufficiently weighted or wheels are unlocked.	Ensure the base is filled with the recommended weight (420 lbs of sandbags) and that all wheels are locked. Avoid use in high winds.
Canopy fabric appears faded or stained.	Exposure to harsh elements or improper cleaning.	Clean the canopy as per maintenance instructions. Use the umbrella cover when not in use to protect from UV and elements.

SPECIFICATIONS

Feature	Detail
Brand	Grand patio
Model Number	B0D2XFK75D
Color	Gray
Canopy Dimensions	10x10 FT (each side), total 200 sq ft shade
Canopy Material	280g Acrylic fabric with UPF50+ anti-UV coating
Frame Material	Powder-coated Aluminum
Ribs	8 heavy-duty Aluminum ribs
Base	Mobile Weighted Base with 4 wheels and 2 locking gears (requires 420 lbs sandbags)
Opening Mechanism	Crank Lift
Tilt Mechanism	Manual Tilt
Special Features	UV Resistant, Water-repellant, 5-year fade-resistant canopy, Dual-layer ventilation structure
Included Accessories	2 customized 280g acrylic fabric outdoor umbrella covers

Product Dimensions



Image: Diagram showing the dimensions of the Grand patio 10x10 FT Double-Sided Cantilever Patio Umbrella, including canopy width and height.

WARRANTY AND SUPPORT

Grand patio products are manufactured to high-quality standards. For warranty information, product support, or to order replacement parts, please contact Grand patio customer service. Refer to your purchase documentation for specific warranty terms and contact details.

Customer Service: Please refer to the contact information provided at the time of purchase or on the Grand patio official website.

