

## STARSEEKER E55

# STARSEEKER E55 Plasma Electric Coffee Grinder Instruction Manual

Model: E55 | Brand: STARSEEKER

## INTRODUCTION

This manual provides detailed instructions for the safe and efficient operation and maintenance of your STARSEEKER E55 Plasma Electric Coffee Grinder. The E55 is designed for precise coffee grinding, featuring a 55mm stainless steel conical burr for uniform grinding and optimal flavor extraction. It offers 60 grinding levels, allowing for ideal texture adjustment across various brewing methods, from espresso to French press. The integrated Plasma Technology utilizes an antistatic system to minimize waste retention, ensuring a clean and consistent dose with each use. Its single-dose design is optimized for preserving bean aroma, and the durable aluminum housing coupled with a low-noise motor makes it suitable for both home and professional environments.



*The STARSEEKER E55 Plasma Electric Coffee Grinder in black, showcasing its sleek design, magnetic catch cup, and the 55mm conical burr components.*

## PRODUCT COMPONENTS

Familiarize yourself with the main components of your STARSEEKER E55 grinder:



# STARSEEKER



*An annotated diagram illustrating the various parts of the STARSEEKER E55 grinder, such as the bean hopper, grind adjustment scale, burr assembly, magnetic output, and the power switch.*

### Included Accessories

- Air Blower
- Magnetic Powder Cup
- Cleaning Brushes
- Spray Bottle (for RDT)

- Power Supply

*The included accessories for the STARSEEKER E55 grinder, which comprise an air blower, a magnetic powder catch cup, cleaning brushes, a spray bottle for RDT (Ross Droplet Technique), and the power supply.*

## SETUP

1. **Unpacking:** Carefully remove all components from the packaging. Ensure all accessories are present.
2. **Placement:** Place the grinder on a stable, flat surface. Ensure it is near a power outlet and away from water sources.
3. **Power Connection:** Connect the power supply to the grinder and then plug it into a 100V electrical outlet.
4. **Initial Cleaning:** Before first use, wipe down the exterior with a damp cloth. Use the provided brush to clean the burr chamber and powder chute.
5. **Grind Setting Adjustment:** The grinder features a stepless grind adjustment dial with a 0-100 scale. To set the grind, turn the dial clockwise until it is at its tightest point (burrs touching). Then, turn it counter-clockwise to your desired setting. Refer to the 'Grind Settings Guide' in the Operating Instructions for recommended starting points.



Stepless regulation



Magnetic powder nozzle



Magnetic connecting powder bowl



Touch switch

*This image highlights key features of the E55 grinder, including the stepless grind adjustment dial, the magnetic powder output nozzle, the magnetic connection for the catch cup, and the intuitive touch power switch.*

## OPERATING INSTRUCTIONS

1. **Prepare Beans:** Ensure your coffee beans are fresh and free from foreign objects. The bean bin capacity is 30g, suitable for single-dose grinding.
2. **Adjust Grind Setting:** Select your desired grind setting using the stepless adjustment dial. For specific recommendations, consult the 'Grind Settings Guide' below.
3. **Place Catch Cup:** Position the magnetic powder catch cup securely under the powder output nozzle. The magnetic base ensures proper alignment and reduces mess.
4. **Add Beans:** Pour the desired amount of whole coffee beans into the bean hopper.
5. **Start Grinding:** Press the touch switch to begin grinding. The grinder will operate until all beans are processed.

6. **Collect Grounds:** Once grinding is complete, remove the magnetic catch cup. The Plasma Technology's antistatic system helps ensure minimal retention and a clean transfer of grounds.

## Grind Settings Guide

The STARSEEKER E55 offers 60 distinct grind settings to cater to various brewing methods:

- **0-15 Gears:** Extra Fine (e.g., Turkish coffee)
- **15-35 Gears:** Fine (e.g., Espresso)
- **35-50 Gears:** Medium to Fine (e.g., Moka pot)
- **50-75 Gears:** Medium (e.g., Drip Brew)
- **75-100 Gears:** Medium to Coarse (e.g., French Press)



*A visual guide detailing the recommended grind settings (0-100 scale) for various coffee brewing methods, including extra fine for Turkish coffee, fine for espresso, medium-to-fine for Moka pot, medium for drip brew, and medium-to-coarse for French press.*

## MAINTENANCE

Regular cleaning and maintenance will ensure the longevity and optimal performance of your grinder.

1. **Daily Cleaning:** After each use, use the provided cleaning brush to remove any residual coffee grounds from the burr chamber and powder output nozzle. The air blower can assist in dislodging stubborn grounds.
2. **Exterior Cleaning:** Wipe the exterior of the grinder with a soft, damp cloth.
3. **Important Cleaning Note:** **Do not clean the grinder with water, and do not place it in a dishwasher.** Water can damage the internal electronic components and burrs. Always use a dry brush for internal cleaning.

4. **Burr Access:** For deeper cleaning, the top burr assembly can be removed. Refer to the product diagram for component identification. Ensure the grinder is unplugged before attempting to remove any parts.

## TROUBLESHOOTING

- **Grinder Not Starting:**

- Ensure the power cord is securely plugged into both the grinder and a working electrical outlet.
- Check the power switch.
- If the grinder has been used for an extended period, it may have an overheating protection mechanism. Locate the reset button (typically on the side or bottom) and press it. Allow the unit to cool down before attempting to operate again.

- **Inconsistent Grind:**

- Verify that the grind setting is appropriate for your brewing method. Adjust as needed.
- Ensure the burrs are clean and free of old coffee residue, which can affect grind consistency.

- **Coffee Grounds Retention/Mess:**

- While the Plasma Technology minimizes static, some retention may occur. Use the provided air blower to clear the chute after grinding.
- Ensure the magnetic catch cup is properly seated.

- **Unusual Noises:**

- Stop the grinder immediately. Unplug the unit and inspect the burr chamber for any foreign objects (e.g., small stones) that may have been mixed with the coffee beans.

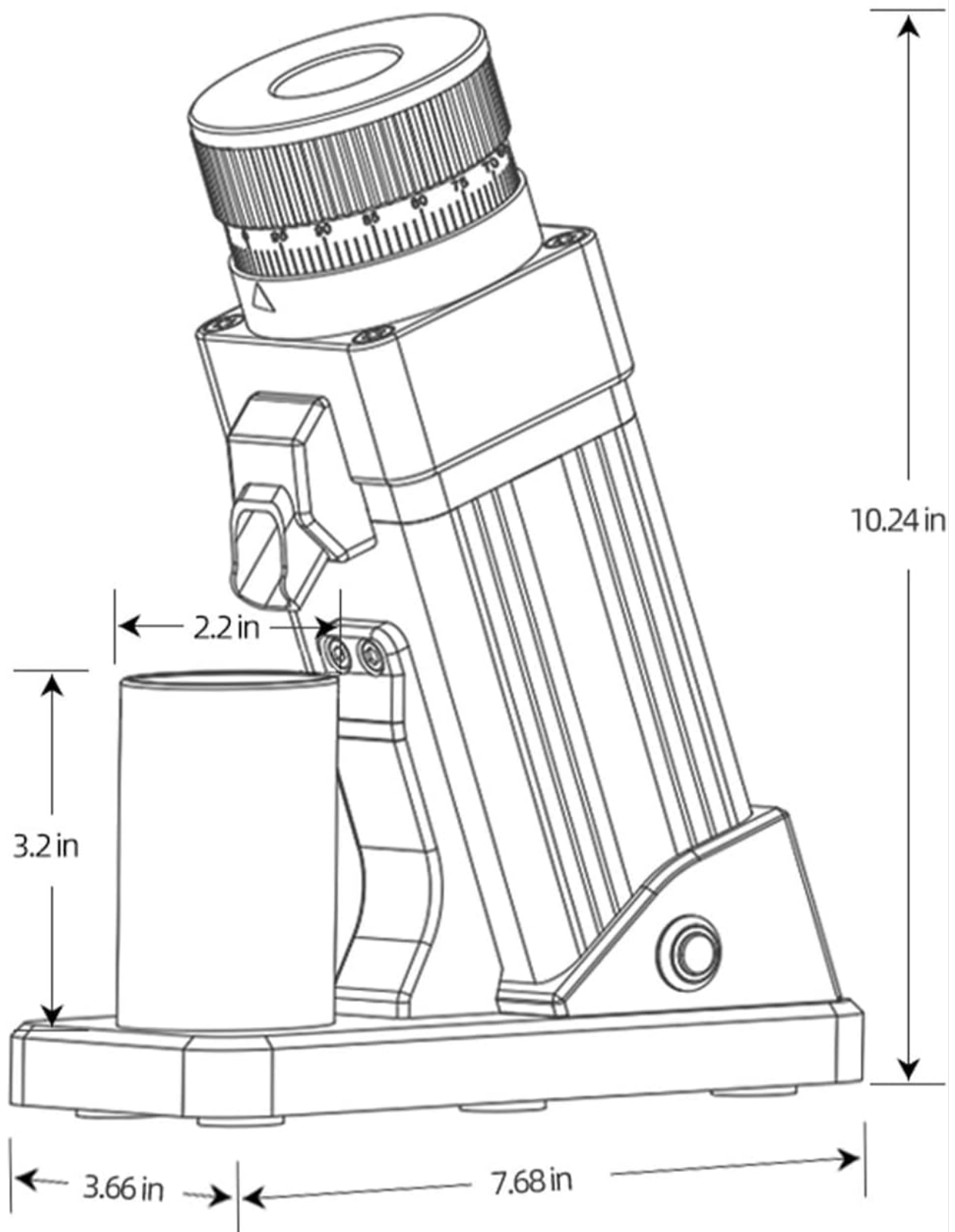
If you encounter issues not covered here, or if troubleshooting steps do not resolve the problem, please contact STARSEEKER customer support for assistance.

## SPECIFICATIONS

Feature	Detail
Model Number	E55
Brand	STARSEEKER
Cutter Type	55mm Cone Burr (Stainless Steel)
Grind Settings	60 Levels (0-100 Scale Adjustment)
Antistatic Technology	Plasma Technology
Housing Material	Premium Aluminum
Product Dimensions (L x W x H)	7.68" x 3.66" x 10.24"
Item Weight	10.56 pounds
Voltage	100 Volts
Rated Power	72W

Machine Speed	312 r/Min
Bean Bin Capacity	30g
Color	Black

# PRODUCT PARAMETER



*A technical drawing providing the precise dimensions of the STARSEEKER E55 coffee grinder, indicating its height, length, and width for placement and space planning.*

## **WARRANTY AND SUPPORT**

For warranty information, product support, or any questions regarding your STARSEEKER E55 Plasma Electric Coffee Grinder, please contact STARSEEKER customer service. Contact details can typically be found on the product packaging or the official STARSEEKER website.