

AV Steel AV-300101F

AV Steel 3 Ton Heavy-Duty Hydraulic Floor Jack

Model: AV-300101F

Brand: AV Steel

[Overview](#) [Specifications](#) [Setup](#) [Safety Information](#) [Product](#) [Operation](#) [Maintenance](#) [Troubleshooting](#) [Warranty & Support](#)

1. SAFETY INFORMATION

WARNING: Read, understand, and follow all instructions before using this device. Failure to observe these warnings may result in property damage, personal injury, or death.

- Always use this jack on a hard, level surface capable of supporting the load.
- Never exceed the rated capacity of 3 tons (6600 lbs).
- Immediately after lifting the vehicle, support it with appropriate jack stands. Do not rely solely on the jack for support.
- Ensure the vehicle is in park (P) with the parking brake engaged and wheels chocked before lifting.
- Center the load on the saddle. The 360° rotatable saddle provides flexibility, but proper load distribution is critical.
- Do not use the jack to lift people or animals.
- Keep hands and feet clear of moving parts and the area under the vehicle.
- Wear appropriate personal protective equipment (PPE) such as safety glasses and gloves.
- This jack is designed for lifting only. It is not designed for sustained load holding.

2. PRODUCT OVERVIEW

The AV Steel 3 Ton Heavy-Duty Hydraulic Floor Jack is engineered for reliable and efficient vehicle lifting. Its robust steel construction and single-piston pump ensure durability and quick lifting action. The jack features 360° swivel casters for easy maneuverability and a wide, rotatable saddle for secure load placement.

Heavy Duty Floor Jack



**3 TON
CAPACITY
(6600 LBS)**



Figure 2.1: AV Steel 3 Ton Floor Jack with handle and components. This image shows the main body of the jack, the two-piece handle, and the orange saddle.



Figure 2.2: Key features of the AV Steel Floor Jack, highlighting the 360° rotation head, all-steel construction, and 360° swivel casters for enhanced maneuverability and stability.

3. SPECIFICATIONS

| Feature | Value |
|------------------------|----------------------|
| Load Capacity | 6600 Pounds (3 Tons) |
| Minimum Lifting Height | 5.5 Inches |
| Maximum Lifting Height | 18.5 Inches |
| Brand | AV Steel |
| Model Number | AV-300101F |

| Feature | Value |
|-----------------------------|--------------------------|
| Item Dimensions (L x W x H) | 26.4 x 14.2 x 8.3 inches |
| Item Weight | 63.9 pounds |
| Material | Alloy Steel |
| Safety Standards | Meets ANSI/ASME PASE |



Figure 3.1: Versatile Lifting Range. This diagram illustrates the minimum (5.5") and maximum (18.5") lifting heights of the jack.

Product Specification

AV[®]Steel

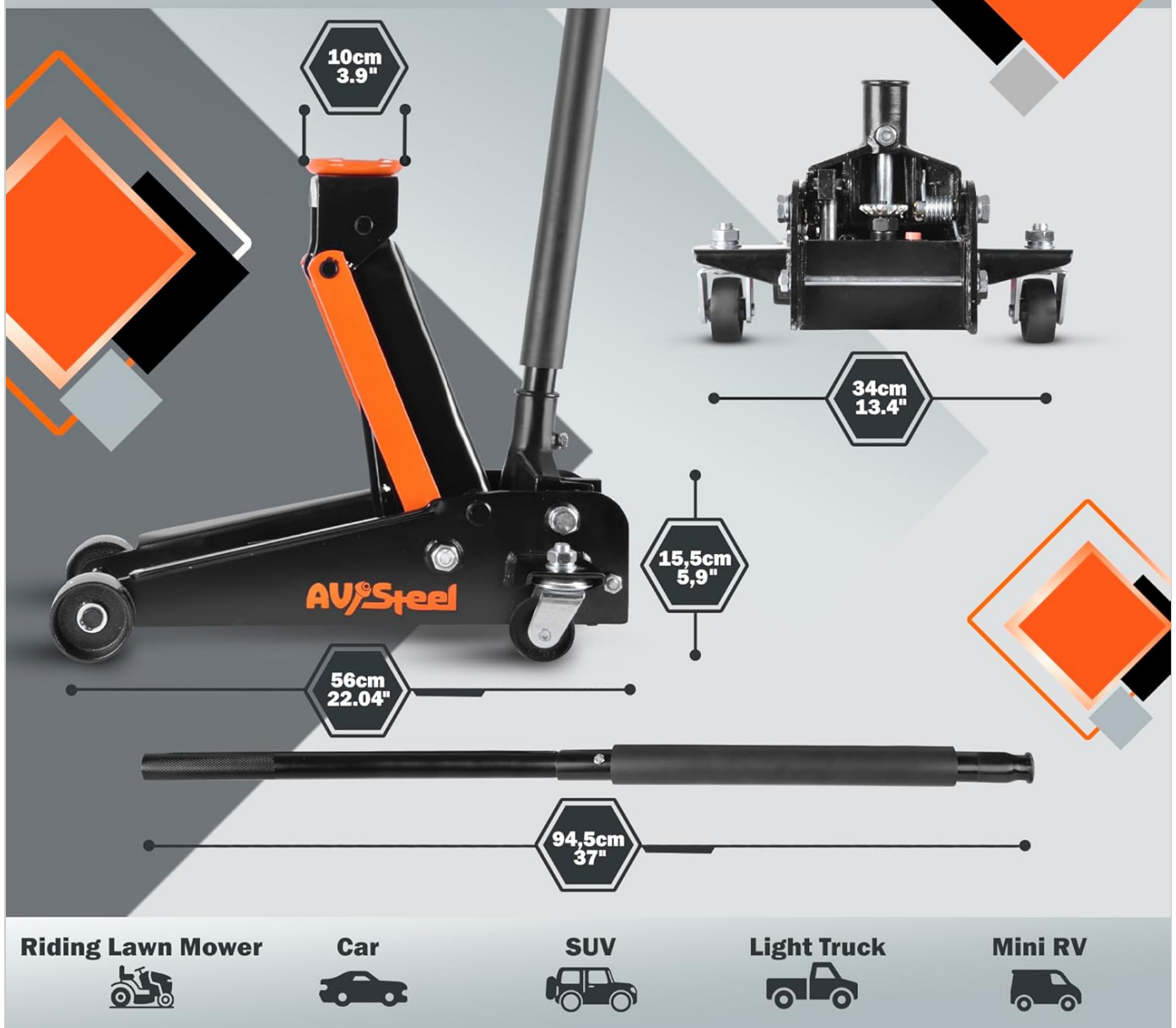


Figure 3.2: Product Specification. This image provides detailed dimensions of the floor jack, including length, width, and height.

4. SETUP

The AV Steel Floor Jack typically comes mostly pre-assembled. The primary setup step involves attaching the handle.

1. **Unpacking:** Carefully remove the jack and all components from the packaging. Inspect for any shipping damage.
2. **Handle Assembly:** Insert the two-piece handle into the handle socket on the jack. Secure it with the provided bolt and nut, ensuring it is tightened securely.
3. **Purging Air (if necessary):** Before first use, or if the jack has been stored for a long time, it may be necessary to purge air from the hydraulic system. To do this, turn the handle counter-clockwise to open the release valve. Pump the handle several times to remove any trapped air. Then, turn the handle clockwise to close the valve.

Your browser does not support the video tag.

Video 4.1: This video demonstrates the assembly of the handle and the basic operation of the 3 Ton AV Steel floor jack, including lifting and lowering a vehicle.

5. OPERATING INSTRUCTIONS

5.1 Lifting a Vehicle

1. **Prepare Vehicle:** Park the vehicle on a hard, level surface. Engage the parking brake and place wheel chocks on the wheels that will remain on the ground.
2. **Position Jack:** Locate the vehicle's designated lifting points (refer to your vehicle's owner's manual). Position the jack's saddle directly under the lifting point. Ensure the saddle is centered and making full contact.
3. **Close Release Valve:** Turn the jack handle clockwise to the tightest position to close the hydraulic release valve.
4. **Lift Vehicle:** Pump the handle up and down to raise the vehicle to the desired height. Lift only high enough to perform the necessary work.
5. **Secure with Jack Stands:** Once the vehicle is lifted, immediately place appropriately rated jack stands under the vehicle's designated support points. Slowly lower the vehicle onto the jack stands by turning the handle counter-clockwise slightly to open the release valve. Ensure the vehicle is stable on the jack stands before proceeding.

5.2 Lowering a Vehicle

1. **Raise Slightly:** If the vehicle is on jack stands, raise it slightly with the floor jack to remove the load from the jack stands.
2. **Remove Jack Stands:** Carefully remove the jack stands from under the vehicle.
3. **Lower Vehicle:** Slowly turn the jack handle counter-clockwise to gradually open the hydraulic release valve. The vehicle will begin to lower. Control the lowering speed by adjusting how much you turn the handle.
4. **Remove Jack:** Once the vehicle is fully lowered and resting on its wheels, remove the floor jack.

USE RIGHT

AV[®]Steel



Step 1

Twist the handle clockwise to the tightest position to close the valve



Step 2

Position the jack's saddle under the lifting point



Step 3

Pump the handle to lift the vehicle



Step 4

Slowly twist the handle counterclockwise to lower the jack

Figure 5.1: Step-by-step guide on how to properly use the AV Steel Floor Jack for lifting and lowering a vehicle.

Easily Pump the Jack to the Desired Height

AV[®]Steel

- ⬡ Fast lifting technology
- ⬡ Single piston pump



Figure 5.2: A user demonstrating the ease of pumping the jack to the desired height, highlighting its fast lifting technology and single piston pump.

6. MAINTENANCE

Regular maintenance ensures the longevity and safe operation of your AV Steel Floor Jack.

- **Cleaning:** Keep the jack clean and free of dirt, grease, and debris. Wipe down the hydraulic ram and other moving parts after each use.
- **Lubrication:** Periodically lubricate all moving parts with light machine oil.
- **Hydraulic Fluid:** Check the hydraulic fluid level regularly. If low, refill with a high-quality hydraulic jack oil. Do not use brake fluid or other non-approved fluids.
- **Storage:** Store the jack in a clean, dry place with the ram fully retracted to prevent corrosion and extend seal life.
- **Inspection:** Before each use, inspect the jack for any signs of damage, leaks, or wear. Do not use a damaged jack.

7. TROUBLESHOOTING

| Problem | Possible Cause | Solution |
|-----------------------------------|---|--|
| Jack will not lift load. | Release valve open; Low hydraulic fluid; Overload. | Ensure valve is fully closed; Check/refill fluid; Do not exceed capacity. |
| Jack lifts slowly or erratically. | Air in hydraulic system; Low hydraulic fluid. | Purge air from system (see Setup); Check/refill fluid. |
| Jack leaks hydraulic fluid. | Damaged seals; Loose fittings. | Contact customer service for repair or replacement. Do not use. |
| Jack lowers under load. | Release valve not fully closed; Internal seal damage. | Ensure valve is fully closed; Contact customer service for repair. Do not use. |

8. WARRANTY AND CUSTOMER SUPPORT

AV Steel provides a full **12-month warranty** against defects in design, materials, and workmanship from the date of purchase.

For any questions, concerns, or warranty claims, please contact our **24/7 customer service**. Before contacting, please have your model number (AV-300101F) and purchase information ready.

Always verify that this product aligns with your vehicle's specifications before purchase and use.

