



[Manuals.plus](#) /

› [SOFTSEA](#) /

› SOFTSEA Full Size Loft Bed with Desk & Storage Stairs User Manual

SOFTSEA x431

SOFTSEA Full Size Loft Bed with Desk & Storage Stairs User Manual

Model: x431

PRODUCT OVERVIEW

The SOFTSEA Full Size Loft Bed is designed to maximize space in bedrooms, offering a comfortable sleeping area elevated above a functional L-shaped desk and integrated storage solutions. This robust bed frame is constructed from pine wood and MDF, ensuring durability and stability. It features a staircase with built-in storage shelves and drawers, providing convenient access to the bed while offering ample storage for various items.



Figure 1: Assembled SOFTSEA Full Size Loft Bed with integrated desk and storage staircase.

Key features include:

- Integrated L-shaped desk for study or work.
- Staircase with three built-in storage shelves for easy access and organization.
- Durable construction from pine wood and MDF.
- Full-length guardrail for safety on the elevated bed.
- Space-saving design ideal for smaller rooms.

SAFETY INFORMATION

Please read and understand all safety information before assembly and use of the loft bed. Failure to follow these instructions can result in serious injury.

- **Weight Capacity:** Do not exceed the maximum bed weight capacity of 350 LBS (158 kg).

- **Assembly:** Full assembly is required. It is recommended that two people assemble this product. Ensure all parts are correctly aligned and all fasteners are securely tightened before use.
- **Mattress:** Use only a mattress with a recommended thickness of 6 inches (15 cm) to ensure proper guardrail height.
- **Guardrails:** Always use the provided guardrails on both sides of the upper bunk.
- **Ventilation:** Ensure adequate ventilation around the bed.
- **Children:** This bed is not recommended for children under 6 years of age.
- **Placement:** Do not attach or hang anything on any part of the bed that is not designed for use with the bed; for example, but not limited to, hooks, belts, or jump ropes.

SETUP AND ASSEMBLY

The SOFTSEA Full Size Loft Bed requires full assembly. It is highly recommended that two individuals participate in the assembly process. All necessary tools are included with the product. The product is shipped in 3 separate packages.

Before You Begin:

1. **Unpack All Boxes:** Lay out all components from all three packages in an organized manner. Verify that all parts are present according to the parts list in the included assembly manual.
2. **Identify Parts:** Familiarize yourself with each component. Some parts may not be labeled or may have double labels; refer to the diagrams in the assembly manual for accurate identification.
3. **Clear Workspace:** Ensure you have a spacious, clear area for assembly to prevent damage to parts and for ease of movement.

Assembly Tips:

- Follow the step-by-step instructions provided in the separate assembly manual.
- Do not overtighten screws during initial assembly; tighten them fully once the section is stable.
- Pay close attention to the orientation of parts as indicated in the diagrams to avoid reassembly.
- For the bed frame, it may be easier to assemble it on its side and then carefully stand it upright.
- If using power tools, exercise caution to avoid stripping screws or damaging wood. A 5/32" hex screw drill attachment can save time for many screws.

UNIT INCH

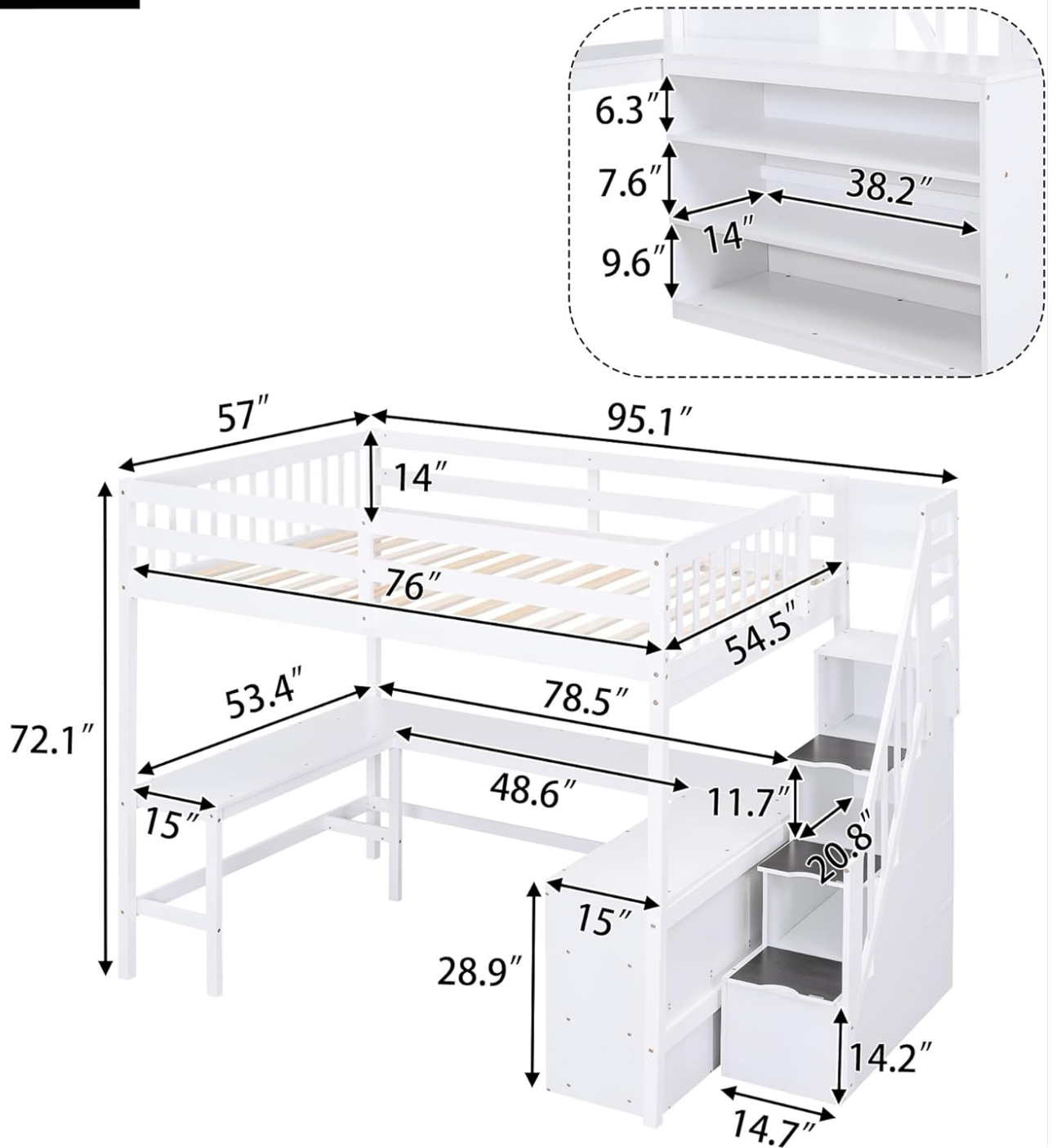


Figure 2: Product dimensions and layout for assembly reference.

The staircase and storage shelves are designed to be installed on the right side of the bed frame.

OPERATING INSTRUCTIONS

The SOFTSEA Full Size Loft Bed is designed for static use as a sleeping and study area. No specific "operating" instructions are required beyond proper assembly and adherence to safety guidelines.

- **Bed Usage:** The upper bunk is intended for sleeping. Ensure the mattress fits snugly within the bed frame.
- **Desk Usage:** The L-shaped desk provides a stable surface for studying, working, or other activities. Avoid placing excessively heavy items on the desk.
- **Storage Usage:** The integrated storage shelves and drawers in the staircase are designed for organizing books, personal items, and other light objects. Distribute weight evenly within storage compartments.

- **Staircase:** Use the staircase for safe and comfortable access to the upper bunk. Do not jump on or misuse the stairs.



Figure 3: Top-down view illustrating the functional layout of the loft bed.

MAINTENANCE

Regular maintenance will help prolong the life and appearance of your SOFTSEA Loft Bed.

- **Cleaning:** Wipe surfaces with a dry cloth. Avoid using harsh chemicals or abrasive cleaners, which can damage the finish.
- **Moisture:** Avoid excessive moisture. Promptly wipe up any spills to prevent water damage to the wood and MDF components.
- **Fasteners:** Periodically check all bolts and screws to ensure they remain tight. Retighten as necessary to maintain structural integrity and prevent wobbling.
- **Slats:** Inspect bed slats regularly for any signs of damage or wear. Replace any damaged slats immediately to

ensure proper mattress support.

- **Movement:** If the bed needs to be moved, disassemble it partially or fully to prevent structural stress and damage. Do not drag the assembled bed.



Figure 4: Detail of the bed frame and staircase construction.

TROUBLESHOOTING

This section addresses common issues that may arise during or after assembly.

Problem	Possible Cause	Solution
Bed wobbles or feels unstable.	Loose fasteners; uneven floor; incorrect assembly.	Ensure all bolts and screws are fully tightened. Check if the bed is on a level surface. Review assembly instructions for any missed steps or incorrect part orientations.
Parts do not align during assembly.	Incorrect part orientation; mislabeled parts; manufacturing defect.	Double-check the assembly manual diagrams for correct part orientation. If parts are mislabeled, refer to the shape and size in the diagrams. Contact customer support if parts are defective or missing.

Problem	Possible Cause	Solution
Drawers or shelves are uneven/do not slide smoothly.	Improper installation of drawer slides/tracks; misaligned drawer components.	Re-check the installation of drawer slides and ensure they are level and parallel. Verify that drawer components are assembled correctly and square.
Bed creaks when in use.	Loose connections; friction between wood components.	Tighten all fasteners. Apply a small amount of furniture wax or silicone spray to contact points between wood components if creaking persists.



Figure 5: Under-bed desk area and structural components.

SPECIFICATIONS

Attribute	Detail
Brand	SOFTSEA
Model Number	x431
Size	Full

Attribute	Detail
Overall Dimensions	95.1"L x 57"W x 72.1"H
Bed Inner Space	76"L x 54.5"W
Recommended Mattress Thickness	6 inches
Bed Weight Capacity	350 LBS
Overall Product Weight	273.5 LBS
Material	Pine Wood + MDF
Number of Bed Slats	14 PCS
Color	White
Assembly Required	Yes (Full Assembly Needed)
Suggested Number of People for Assembly	2
Additional Tools Required	All Tools Included
Number of Packages	3
Country of Origin	Vietnam



Figure 6: Integrated storage shelves beneath the loft bed.

WARRANTY AND SUPPORT

The SOFTSEA Full Size Loft Bed comes with a one-year warranty covering manufacture defects.

- **Warranty Coverage:** This warranty covers defects in materials and workmanship under normal use for a period of one year from the date of purchase.
- **Exclusions:** The warranty does not cover damage resulting from improper assembly, misuse, abuse, neglect, accidents, alterations, or normal wear and tear.
- **Claim Process:** To make a warranty claim, please contact SOFTSEA customer support with your proof of purchase and a detailed description of the defect.

Customer Support:

For assistance with assembly, missing parts, or warranty inquiries, please visit the official SOFTSEA store or contact their customer service department. You can find contact information on the SOFTSEA brand store page on Amazon or through your purchase documentation.

Visit the [SOFTSEA Store](#) for more information.



Figure 7: Integrated drawers beneath the loft bed.

© 2024 SOFTSEA. All rights reserved.

This manual is for informational purposes only. Product specifications are subject to change without notice.