



Manuals.plus /

- › Sirui /
- › SIRUI AM-TT50 Compact Mini Desktop Tripod Instruction Manual

Sirui AM-TT50

SIRUI AM-TT50 Compact Mini Desktop Tripod Instruction Manual

Model: AM-TT50

INTRODUCTION



Image: The SIRUI AM-TT50 Compact Mini Desktop Tripod.

The SIRUI AM-TT50 Compact Mini Desktop Tripod is a versatile and portable support system designed for small DSLR cameras, mirrorless cameras, smartphones, and action cameras. Its compact design and adjustable features make it suitable for various shooting scenarios, from tabletop photography to low-angle shots.

WHAT'S IN THE BOX

Specifications

Product Model	AM-TT50	Product Weight(with head)	1.76lbs/ 0.8kg
Material	Aluminum Alloy	Tube Diameter	0.37"(9.3mm)--0.83"(21mm)
Max Load	22lbs/10kg	Working Height	7.09"/180mm--20.4"/520mm

What's In The Box



1

1 Portable Bag X1



2

2 AM-TT50 Tripod X1



3

3 Phone Clamp X1



4

4 Allen Wrench X1

Image: Included accessories with the SIRUI AM-TT50 tripod.

- SIRUI AM-TT50 Tripod x1
- Phone Clamp x1
- Portable Bag x1
- Allen Wrench x1

PRODUCT FEATURES

Compact and Portable Design

Compact & Lightweight



Weight

0.8KG
1.76lb



Easy to Store and Carry

Image: The compact and lightweight design of the AM-TT50 tripod.

The AM-TT50 tripod features foldable aluminum legs, allowing for compact storage with a folded length of only 7 inches (18 cm) and a weight of less than 1.7 lbs (0.8 kg). This makes it highly portable and easy to carry in a bag or backpack.

Adjustable Leg Angles and Height

3-stop Angle Adjustment

Angle between Tripod Leg and Horizontal Plane(10°/36°/68°)



Image: Three-stop angle adjustment for macro shooting.

The tripod offers a 3-stop angle adjustment mechanism (10°, 36°, 68° relative to the horizontal plane) for versatile shooting positions. Its 5-section leg design with quick tightening mechanisms allows for height adjustment from a minimum of 7 inches (17.7 cm) to a maximum of 20 inches (52 cm).

Suitable for Various Scenarios



5-section Height Adjustment

Min Height: 7"

MAX Height: 20.5"

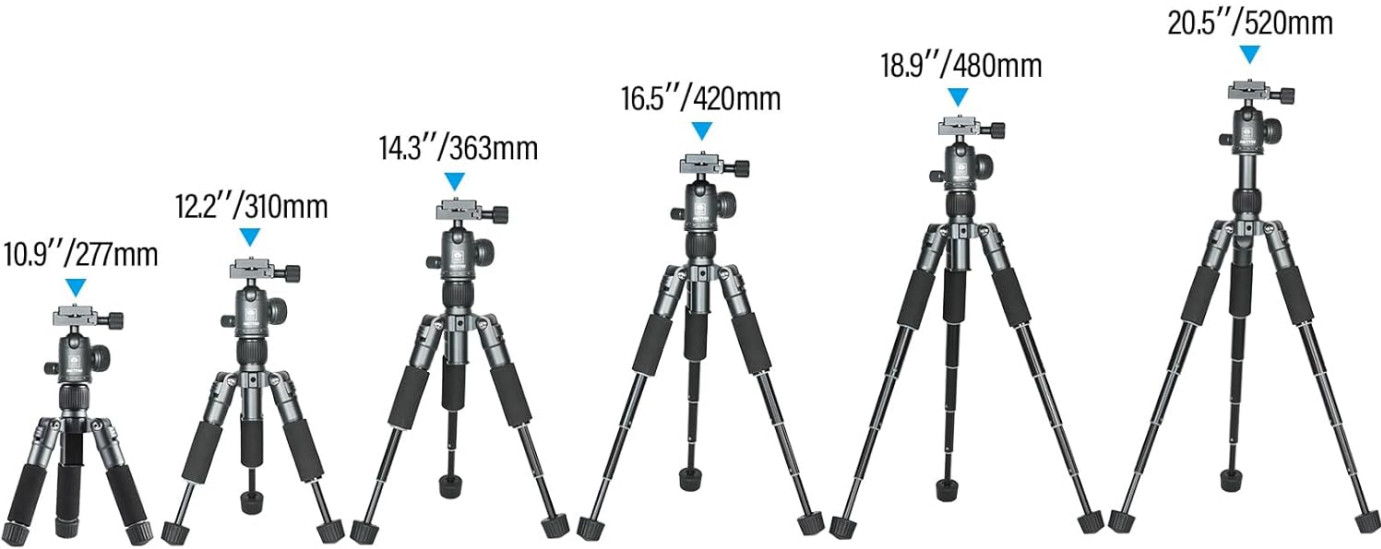


Image: Visual representation of the 5-section height adjustment.

Reversible Center Column

Reversible Center Column

Capturing Perspectives Different from Traditional Angles



Image: Reversible center column for low-angle shooting.

The detachable center column can be reversed, enabling users to capture shots from extremely low angles, which is ideal for macro photography or unique perspectives.

360° Panoramic Ball Head

Aluminum Alloy Ball Head

for Panoramic/Horizontal/Vertical Shooting



Meet any Shooting Angles



90°

Tilt 90°



Swivel 360°

Horizontal Shooting



Vertical Shooting



High Angle Shooting



Low Angle Shooting



Image: Aluminum alloy ball head for panoramic, horizontal, and vertical shooting.

The included ARCA Aluminum ball head allows for smooth 360-degree panoramic movement and features a U-shaped notch for quick vertical shooting. It supports a maximum load capacity of 17.64 lbs (8 kg).

Expandability



Image: Threaded holes for accessory expansion.

The tripod features a 1/4" threaded hole for attaching accessories such as magic arms, microphones, monitors, or LED lights. The bottom of the central column is also equipped with a 3/8" threaded hole for installing counterweight hooks or other accessories.

SETUP

1. **Unfold the Legs:** Gently pull the tripod legs outwards until they click into one of the three available angle positions (10°, 36°, or 68°).
2. **Adjust Leg Length:** To extend a leg, rotate the rubber foot counter-clockwise to unlock, pull the leg section out to the desired length, and then rotate clockwise to lock. Repeat for all leg sections.
3. **Adjust Center Column Height:** Loosen the center column lock knob, extend or retract the center column to the desired height, and then tighten the knob to secure it.
4. **Reverse Center Column (Optional):** To achieve very low angles, unscrew the bottom part of the center column, remove the column, invert it, and re-insert it into the tripod base. Secure it by tightening the knob.
5. **Attach Device:**
 - For cameras: Attach the quick release plate to your camera's 1/4" tripod socket. Slide the plate with the camera into the ball head's clamp and tighten the quick release plate lock knob.
 - For smartphones: Attach the included phone clamp to the quick release plate (or directly to the tripod's 1/4" screw if preferred). Secure your smartphone within the clamp.

OPERATING INSTRUCTIONS



Image: 360° rotatable phone clamp for flexible smartphone positioning.

1. **Adjusting Ball Head Angle:** Loosen the main ball head lock knob to freely adjust the camera's angle. Tighten the knob to secure the desired position. The U-shaped notch allows for quick transition to vertical shooting.
2. **Panoramic Panning:** Loosen the panoramic lock knob located at the base of the ball head to rotate the camera 360° horizontally. Tighten the knob to lock the panning movement.
3. **Accessory Attachment:** Use the 1/4" threaded hole on the tripod body or the 3/8" threaded hole at the bottom of the center column to attach external accessories as needed.

MAINTENANCE

- Regularly clean the tripod with a soft, dry cloth to remove dust and debris.
- Avoid exposing the tripod to extreme temperatures or harsh chemicals.
- Ensure all knobs and locking mechanisms are tightened before use to prevent damage to your equipment.
- If legs become too loose or too tight, use the provided Allen wrench to adjust the hinge bolts as desired.

TROUBLESHOOTING

- **Tripod instability:** Ensure all leg sections are fully extended and locked, and that the leg angle adjustment is securely set. Verify that the center column is tightened.
- **Camera slipping:** Confirm that the quick release plate is securely attached to your camera and that the ball head's clamp is fully tightened.
- **Stiff or loose leg sections:** Use the provided Allen wrench to adjust the tension of the leg hinge bolts.

SPECIFICATIONS

Product Model	AM-TT50
Material	Aluminum Alloy, Rubber
Item Weight	1.76 lbs (0.8 kg)
Max Load Capacity	17.64 lbs (8 kg)
Minimum Height	7 inches (17.7 cm)
Maximum Height	20 inches (52 cm)
Folded Length	7 inches (18 cm)
Tripod Head Type	Ball Head (ARCA-Swiss compatible)
Compatible Devices	Camera, Smartphone

OFFICIAL PRODUCT VIDEO

[Click here to browse for the video.](#)

Video: An overview of the SIRUI AM-TT50 Compact Mini Desktop Tripod, demonstrating its features and various use cases.

WARRANTY AND SUPPORT

For detailed warranty information and customer support, please refer to the official SIRUI website or contact your local distributor. The product packaging may also contain a QR code to access the user manual and support resources.

