

Manuals+

[Q & A](#) | [Deep Search](#) | [Upload](#)

Manuals.plus /

- › [Spare Hardware Parts](#) /
- › Spare Hardware Parts 6MM Hexagon Allen Key Instruction Manual (Replacement for IKEA Part #100049)

Spare Hardware Parts 0207-SHP-I-100049-1CT (6MM Hexagon Allen Key)

Spare Hardware Parts 6MM Hexagon Allen Key Instruction Manual

Replacement for IKEA Part #100049

INTRODUCTION

This instruction manual provides essential information for the proper use and care of your Spare Hardware Parts 6MM Hexagon Allen Key. This tool is designed as a direct replacement for IKEA Part #100049, ensuring compatibility and functionality for various IKEA furniture assembly and maintenance tasks.

PRODUCT OVERVIEW

The 6MM Hexagon Allen Key is an L-shaped tool manufactured from zinc-plated steel, designed for tightening or loosening hexagonal socket screws. It is a precision-engineered replacement part, ensuring an exact fit for applications requiring IKEA Part #100049.





Image 1: The 6MM Hexagon Allen Key, an L-shaped tool made of zinc-plated steel.

Replacement for IKEA Part #100049

Identical fit to the original IKEA part

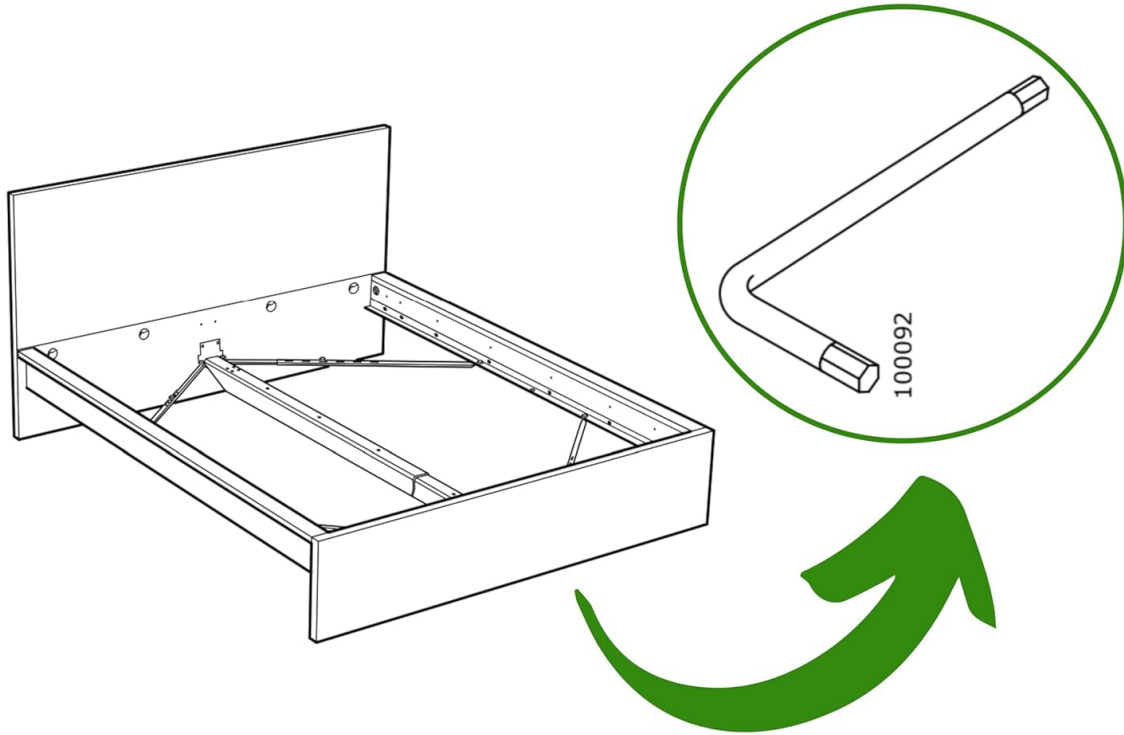


Image 2: Illustration showing the Allen key as a replacement for IKEA Part #100049, with a diagram of a bed frame.

SPECIFICATIONS

Feature	Detail
Part Number	0207-SHP-I-100049-1CT
Replacement For	IKEA Part #100049
Head Style	Hex
Item Length	6 Millimeters (0.24 inches)
Material	Alloy Steel, Zinc (Zinc Plated Steel)
Color	Silver
Item Weight	1.6 ounces (0.1 Pounds)
Package Quantity	1

THE EXACT FIT

Precision engineered to replace IKEA Part #100049



Image 3: Diagram illustrating the exact dimensions of the 6MM Hexagon Allen Key: 86mm (3.39 in) total length, 36mm (1.42 in) short arm length, and 6mm (0.24 in) hex size.

COMPATIBILITY

This 6MM Hexagon Allen Key is compatible with a wide range of IKEA furniture items that utilize IKEA Part #100049. It is suitable for various applications, including:

- Bed frames
- High bed frames
- Bunk bed frames
- Cabinets with base
- Daybed frames with drawers
- Desks
- Sit/stand desks
- Glass-door cabinets with base
- Loft bed combos with shelves
- Open wardrobes
- Storage units

- Tables
- Workstations

Specific IKEA product lines known to use this part include:

- ASKVOLL
- BILLSTA
- BJORKSNAS
- BRIMNES
- BRYGGJA
- DELAKTIG
- GJORA
- HAVSTA
- IDASEN
- KALLAX
- MALM
- NORDDAL
- SONGESAND
- STUVA
- TYSSEDAL

COMPATIBLE

This part works with multiple different IKEA products

- ✓ Used in Bed frame, High bed frame, Bunk bed frame, Cabinet with base, Daybed frame with drawers, Desk, Sit/stand desk, Glass-door cabinet with base, Loft bed combo with shelves, Open wardrobe, Storage unit, Table, Workstation
- ✓ Hexagon Allen Key L-shape for Askvoll, Billsta, Bjorksnas, Brimnes, Bryggja, Delaktig, Gjora, Havsta, Idasen, Kallax, Malm, Norddal, Songesand, Stuva, Tyssedal

USAGE INSTRUCTIONS

The 6MM Hexagon Allen Key is used for assembling, disassembling, or tightening components secured with hexagonal socket screws. Follow these general steps:

1. **Identify the Screw:** Ensure the screw head has a hexagonal recess and matches the 6MM size of the Allen key.
2. **Insert the Key:** Insert either end of the L-shaped Allen key into the hexagonal recess of the screw. Ensure it is fully seated to prevent stripping the screw head.
3. **Apply Torque:**
 - To *tighten*, turn the key clockwise.
 - To *loosen*, turn the key counter-clockwise.

Use the longer arm for leverage when loosening tight screws, and the shorter arm for better control when tightening.

4. **Secure Connection:** Tighten screws until snug. Avoid over-tightening, which can damage the furniture or the screw threads.



Image 5: A person's hands using a screwdriver to assemble furniture, illustrating the general context of furniture assembly where an Allen key would be used.

MAINTENANCE

To ensure the longevity and effectiveness of your Allen key:

- **Cleaning:** Wipe the tool clean with a dry cloth after use to remove any dirt or debris.
- **Storage:** Store the Allen key in a dry place to prevent rust. Avoid exposure to excessive moisture or corrosive substances.
- **Inspection:** Periodically inspect the hex ends for wear or damage. A worn key can strip screw heads.

PACK OF 1

Contains 1 piece for all your assembly needs!



Image 6: Close-up view of the Allen key, highlighting its zinc-plated steel construction, which contributes to its durability and resistance to corrosion.

TROUBLESHOOTING

While an Allen key is a simple tool, here are some common issues and solutions:

- **Key slips in screw head:**
 - Ensure the key is fully inserted into the screw head.
 - Verify the screw head is not stripped. If stripped, specialized tools may be required for removal.
 - Check if the key itself is worn. A worn key may not grip properly.
- **Screw is too tight to loosen:**
 - Apply steady, firm pressure. Avoid sudden jerks.
 - Use the longer arm of the L-shaped key for increased leverage.
 - For extremely tight screws, a penetrating oil might be applied (use with caution on furniture).

WARRANTY AND SUPPORT

Spare Hardware Parts stands by the quality of its products. If this 6MM Hexagon Allen Key does not meet your expectations or if you encounter any issues, please contact us directly. We are committed to ensuring your satisfaction and will provide a refund or replacement as needed.

For further assistance, please visit the [Spare Hardware Parts Store on Amazon](#).

IT WORKS OR WE MAKE IT RIGHT

If the replacement part doesn't solve your problem,
let us know and we will fully refund your order.



SPARE
HARDWARE
PARTS

Image 7: Graphic stating "IT WORKS OR WE MAKE IT RIGHT" with a couple assembling furniture, representing the brand's commitment to customer satisfaction.