

[Manuals.plus](#) /

- › [Spare Hardware Parts](#) /
- › Spare Hardware Parts BESTA Shelf Support Instruction Manual for IKEA Part #115443/115444

Spare Hardware Parts 0090-SHP-I-115443-115444-6CT

Spare Hardware Parts BESTA Shelf Support Instruction Manual

Replacement for IKEA Part #115443/115444

1. INTRODUCTION

This manual provides detailed instructions for the installation and proper use of the Spare Hardware Parts BESTA Shelf Supports. These components are designed as direct and exact replacements for IKEA Part #115443 and #115444, ensuring a seamless fit and function within your IKEA furniture. Each pack contains 6 individual shelf supports, manufactured from zinc-plated steel for durability.



Image 1.1: Two individual shelf supports, showing their design and orientation markings.

2. PRODUCT OVERVIEW AND COMPATIBILITY

The Spare Hardware Parts BESTA Shelf Supports are precision-engineered to match the original IKEA parts #115443 and #115444. They are essential for various IKEA furniture systems, providing reliable support for shelves.

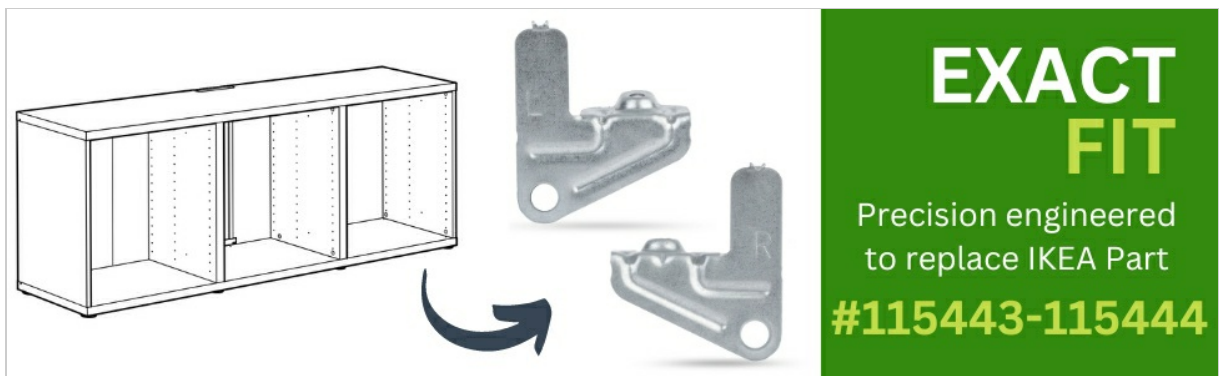


Image 2.1: Confirmation of exact fit for IKEA Part #115443/115444.

2.1 Compatible IKEA Furniture

These shelf supports are compatible with a wide range of IKEA products, including but not limited to:

- BESTA series furniture
- STUVA series furniture
- FRITIDS series furniture
- Drawer chests
- Loft beds with drawers and doors
- Shelf units with glass doors
- Storage combinations with drawers
- TV units with doors and drawers

Replacement for IKEA Part #115443/115444

Identical fit to the original IKEA part

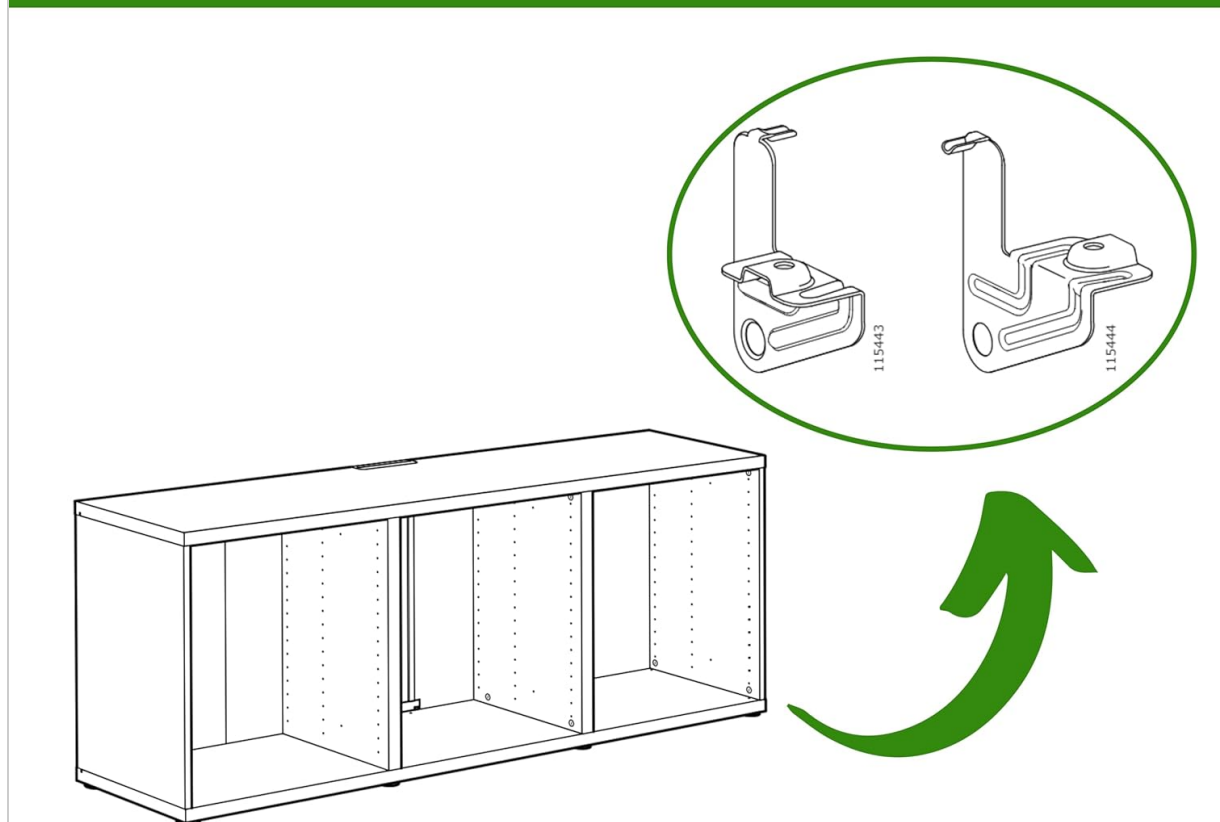


Image 2.2: Visual representation of the shelf support's application in an IKEA BESTA cabinet.



Image 2.3: Compatibility details for various IKEA furniture types.

3. INSTALLATION INSTRUCTIONS

These shelf supports are designed for straightforward installation as direct replacements. No special tools are typically required beyond what is used for standard furniture assembly.

3.1 General Installation Steps

1. **Identify Placement:** Locate the pre-drilled holes in your IKEA furniture where the shelf supports are to be inserted. Ensure the furniture is stable and on a level surface.
2. **Insert Support:** Gently push the shelf support into the designated hole. The design ensures a snug fit.
3. **Orient Correctly:** Ensure the support is oriented correctly to receive the shelf. The small tab on the support should face upwards to engage with the shelf.
4. **Repeat for all Supports:** Install all necessary supports for your shelf. For a typical shelf, four supports are used (one in each corner).
5. **Place Shelf:** Carefully place the shelf onto the installed supports, ensuring it sits level and securely.

Note: Always refer to your specific IKEA furniture assembly manual for precise instructions regarding shelf placement and weight limits.



Image 3.1: General illustration of furniture assembly, demonstrating the context of using hardware parts.

4. PRODUCT SPECIFICATIONS AND FEATURES

4.1 Key Features

- **Exact Fit:** Precision engineered to replace IKEA Part #115443/115444.
- **Material:** Manufactured from durable zinc-plated steel.

- **Quantity:** Available in a pack of 6 individual shelf supports.
- **Color:** Silver finish.

Wide Selection of IKEA Replacement Parts



Image 4.1: A visual representation of the pack of 6 shelf supports.



Image 4.2: Close-up view of the high-quality zinc-plated steel construction.

4.2 Dimensions

THE EXACT FIT

Precision engineered to replace IKEA Part #115443/115444

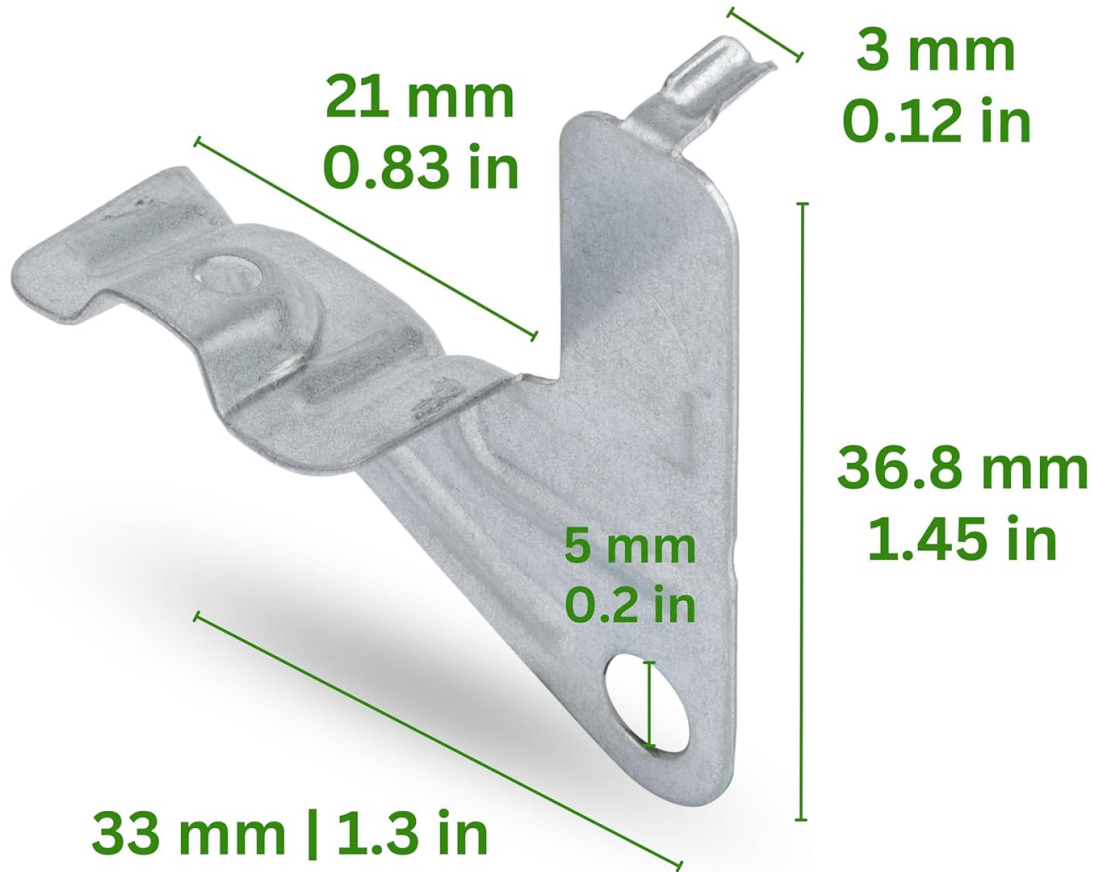


Image 4.3: Detailed dimensions of the shelf support for precise fit verification.

Table 4.1: Product Specifications

Specification	Detail
Brand	Spare Hardware Parts
Model Number	0090-SHP-I-115443-115444-6CT
Material	Alloy Steel (Zinc Plated)
Color	Silver
Number of Pieces	6
Item Weight	1.76 ounces (0.05 Kilograms)
Product Dimensions (L x W x H)	4 x 6 x 0.1 inches
Recommended Uses	Home furniture and organization

5. MAINTENANCE AND CARE

The zinc-plated steel construction of these shelf supports provides inherent resistance to corrosion. No specific maintenance is required under normal indoor use. Periodically check that all shelf supports are securely seated in their respective holes to ensure shelf stability.

6. TROUBLESHOOTING

6.1 Shelf Not Level

- **Check Support Seating:** Ensure all shelf supports are fully inserted into their holes and are not obstructed.
- **Verify Hole Alignment:** Confirm that the shelf is placed on the correct set of holes, especially if adjustable.
- **Inspect Shelf:** Check the shelf itself for any warping or damage that might prevent it from sitting level.

6.2 Support Does Not Fit

- **Confirm Part Number:** Double-check that your original IKEA part number matches #115443 or #115444.
- **Inspect Hole:** Ensure the hole in the furniture is clear of debris or previous damage.
- **Contact Support:** If the part still does not fit, refer to the warranty and support section.

7. WARRANTY AND SUPPORT

Spare Hardware Parts stands by the quality of its products. If any of our shelf supports do not meet your expectations or if you encounter any issues, please contact us directly. We are committed to ensuring your satisfaction and will provide a refund if the product does not solve your problem.

For support, please visit our [Spare Hardware Parts Store on Amazon](#).

IT WORKS OR WE MAKE IT RIGHT

If the replacement part doesn't solve your problem,
let us know and we will fully refund your order.



SPARE
HARDWARE
PARTS

Image 7.1: Illustrating customer support and problem resolution.