



Manuals.plus /

› RuenTech /

› RuenTech Magnetic Universal Smart Watch Charging Cable Instruction Manual

RuenTech RTUS-SZ-4

RuenTech Magnetic Universal Smart Watch Charging Cable

Model: RTUS-SZ-4

PRODUCT OVERVIEW

The RuenTech Magnetic Universal Smart Watch Charging Cable is designed to provide efficient and secure charging for smartwatches with specific pin spacing requirements. This cable features a magnetic connection for ease of use and incorporates safety features to protect your device during charging. It is available in multiple pin spacing options to ensure broad compatibility.

Key features include:

- **Universal Compatibility:** Designed for smartwatches with Dafit app and charging contact distances of 2.54mm, 4mm, or 7.62mm.
- **Fast Charge:** Enables efficient and stable charging from various USB power sources.
- **Secure Circuit:** Built-in Voltage Regulator (PTC) prevents overcurrent damage, prolonging the lifespan of your smartwatch.
- **Portable Design:** Lightweight and convenient for use at home, office, or while traveling.



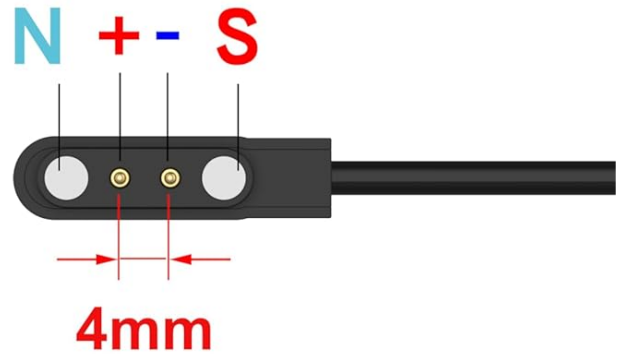
Image: The RuenTech Magnetic Universal Smart Watch Charging Cable, featuring a USB-A connector on one end and a magnetic two-pin charging head on the other. The cable is black and coiled for compact storage.

SETUP AND COMPATIBILITY

Before using the charging cable, it is crucial to identify the correct pin spacing required by your smartwatch. This charger is available in 2.54mm, 4mm, and 7.62mm pin spacing variants.

Measuring Pin Spacing

To ensure compatibility, measure the distance between the centers of the two charging contact points on your smartwatch. Refer to the image below for guidance.



Before purchasing, please measure the distance between the two points of the center of the charging connect of the watch.

Image: A smartwatch shown next to the magnetic charging cable. An illustration highlights how to measure the 4mm distance between the two charging pins on both the watch and the cable, emphasizing the importance of matching this measurement.

The cable's magnetic head will align with the charging contacts on your smartwatch. Ensure the pins on the charger align correctly with the contacts on your watch for a secure connection.



Image: A diagram illustrating two types of magnetic charging cables, one 100cm and one 60cm, highlighting their magnetic charging heads and indicating that they may have opposite electrical polarities (N+S vs N-S). This emphasizes the need for correct alignment.

OPERATING INSTRUCTIONS

To charge your smartwatch using the RuenTech Magnetic Universal Charging Cable, follow these steps:

- 1. Connect to Power Source:** Plug the USB-A end of the charging cable into a compatible USB power source. This can be a PC, laptop, wall adapter, car charger, or mobile power bank.
- 2. Attach to Smartwatch:** Align the magnetic charging head of the cable with the charging contacts on your

smartwatch. The magnetic connection will snap into place, ensuring proper contact.

3. **Verify Charging:** Confirm that your smartwatch indicates it is charging. Charging time may vary depending on the smartwatch model and its battery level.

Convenient to Charge

Plug the USB port to any USB-enabled devices

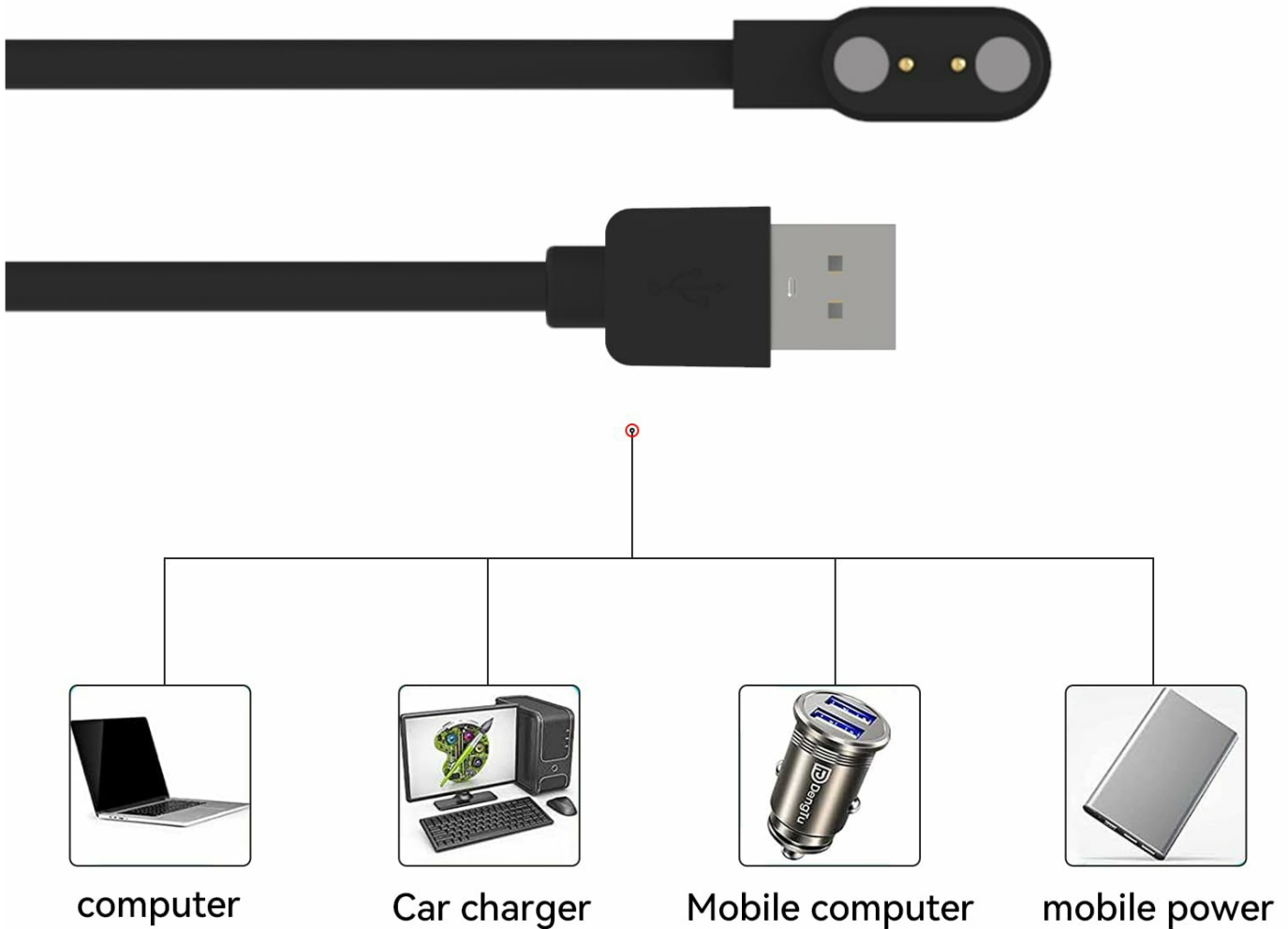


Image: An illustration showing the USB end of the charging cable connecting to various power sources, including a computer, car charger, mobile computer, and mobile power bank, demonstrating its versatility.

The cable is designed for fast and stable charging, incorporating a Voltage Regulator (PTC) to protect your device from overcurrent, ensuring a safe charging experience.

Safe and Reliable

Built in charging safety protection system



Image: A smartwatch on a charging pad, with text indicating "Safe and Reliable" and icons representing voltage protection, fast charging, and strong scalability, illustrating the built-in safety features of the charging system. The portable design makes it ideal for various environments, including your car, office, or for travel.

Simple and portable

Lightweight and convenient for traveling



Image: A collage showing the charging cable being used in various scenarios: in a car, at an office desk, and packed for travel in a bag with other small electronics, highlighting its portability and convenience.

MAINTENANCE AND CARE

To ensure the longevity and optimal performance of your RuenTech charging cable, follow these maintenance guidelines:

- **Storage:** Store the cable in a clean, dry place away from extreme temperatures. The flexible PVC cable is designed to be easy to roll and convenient for storage.
- **Cleaning:** Gently wipe the cable and magnetic contacts with a soft, dry cloth to remove any dust or debris. Do not use harsh chemicals or abrasive materials.
- **Handling:** Avoid sharp bends or excessive pulling on the cable, especially near the connectors. The cable joints are strengthened for toughness and durability.
- **Material Quality:** The cable features a pure copper probe for rapid and stable conduction, an ABS+PC durable body, and gold-plated material for enhanced longevity.

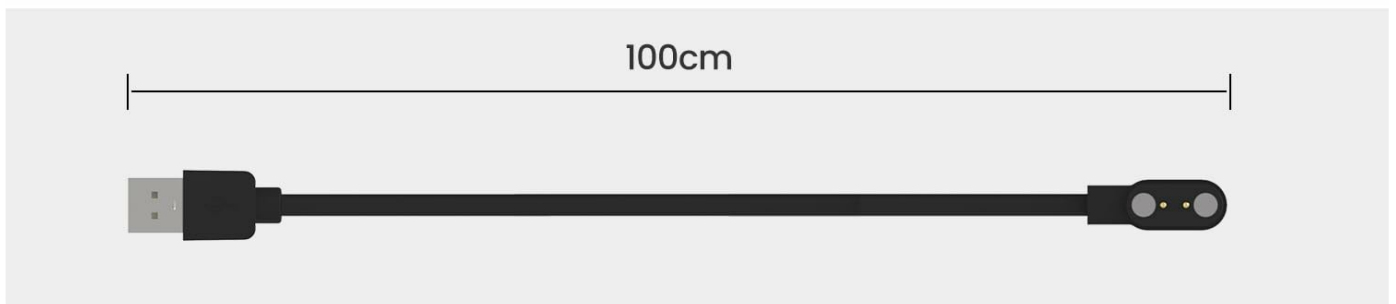
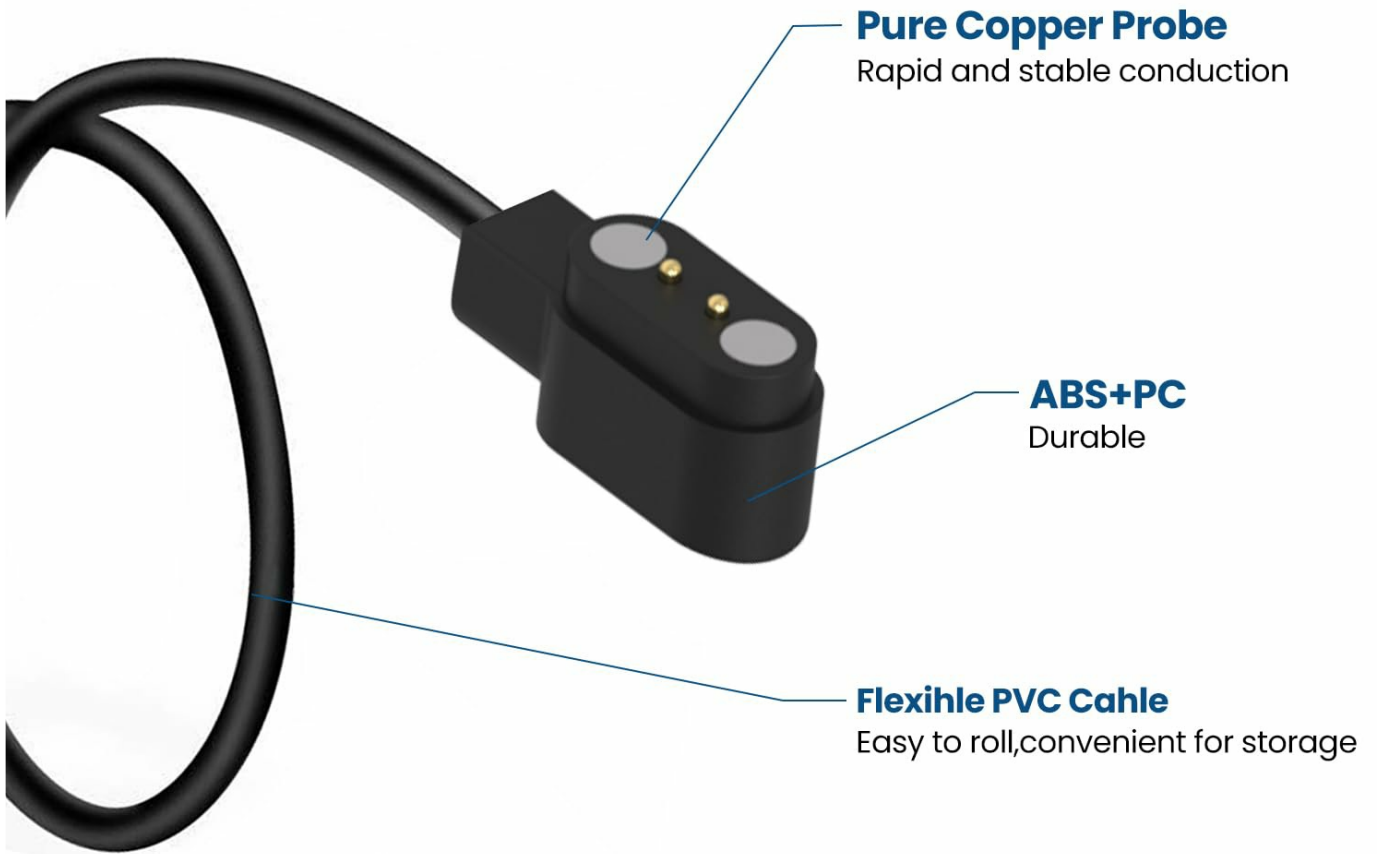


Image: A detailed view of the charging cable, labeling its components: Pure Copper Probe for rapid and stable conduction, ABS+PC material for durability, and Flexible PVC Cable for easy rolling and convenient storage. The overall cable length is indicated as 100cm.

Cable joints are strengthened

Toughness and durability



Image: A close-up showing the strengthened cable joints, highlighting the use of high-quality TPE material, gold-plated contacts, and the cable's flexibility, all contributing to its toughness, durability, and longevity.

TROUBLESHOOTING

If you encounter issues with your RuenTech Smart Watch Charging Cable, consider the following troubleshooting steps:

- **Not Charging:**
 - **Verify Pin Spacing:** Double-check that the pin spacing of your charging cable (2.54mm, 4mm, or 7.62mm) precisely matches the charging contacts on your smartwatch. Incorrect spacing is a common reason for charging failure.
 - **Check Connection:** Ensure the magnetic charging head is securely attached to your smartwatch and the USB-A end is fully inserted into the power source.
 - **Try Different Power Source:** Test the cable with a different USB port or power adapter (e.g., a different computer, wall charger, or power bank) to rule out issues with the power source.

- **Inspect Cable:** Check the cable for any visible damage, kinks, or frayed wires.
- **Slow Charging:**
 - Ensure the power source provides sufficient output (e.g., a standard USB 2.0 port or a wall adapter).
 - Avoid charging in extremely hot or cold environments, as this can affect charging efficiency.
- **Magnetic Connection Issues:**
 - Clean the magnetic contacts on both the cable and the smartwatch to ensure no debris is obstructing the connection.
 - Ensure the cable's polarity aligns with your watch's contacts. Some watches may require a specific orientation.

If problems persist after attempting these steps, please contact customer support for further assistance.

SPECIFICATIONS

Feature	Description
Model Number	RTUS-SZ-4
Brand	RuenTech
Connector Type	USB-A
Cable Type	USB Charging Cable
Compatible Devices	Smartwatches with Dafit app and charging contact distance of 2.54mm, 4mm, or 7.62mm
Cable Length	100cm (approximately 3.3 feet)
Special Feature	Shock-resistant, Voltage Regulator (PTC) for overcurrent protection
Materials	Pure Copper Probe, ABS+PC, Flexible PVC Cable, Gold-plated contacts
Package Dimensions	4.84 x 3.35 x 0.28 inches
Item Weight	0.63 ounces

WARRANTY AND SUPPORT

RuenTech is committed to providing high-quality products. For any questions, concerns, or technical support regarding your Smart Watch Charging Cable, please contact our customer service team.

Please refer to your purchase documentation or the retailer's website for specific warranty information and return policies. Keep your proof of purchase for any warranty claims.

For more information about RuenTech products, visit the official RuenTech Store on Amazon.